

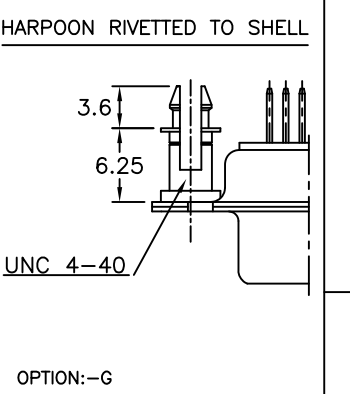
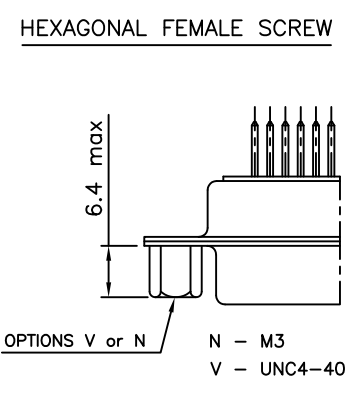
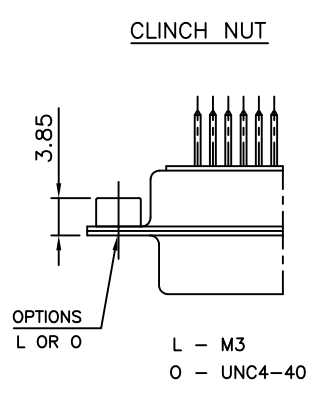
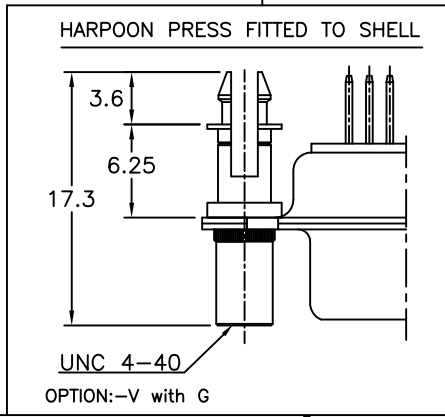
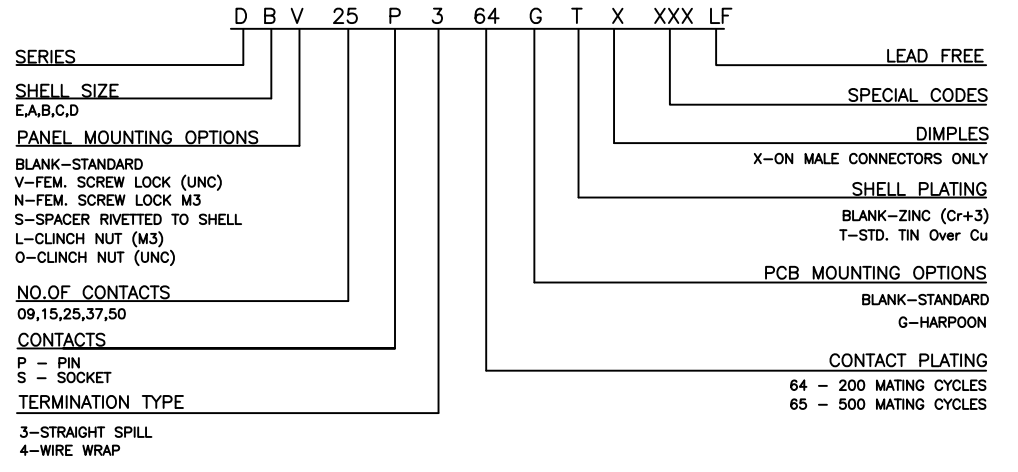
| | | | | | | | | | | | | |
|------------|---|--------------------|--------------------|--------------------|--------------------|--------------------|------------------|--------------------|--------------------|--------------------|-------------------|--------------------|
| 50 | P | 66.65 | 52.68 | 61.11 | 11.08 | 14.99 | 11.09 | 5.85 | 55.07 | 13.31 | 1.50 | 1.0 |
| | S | 66.65 | 52.30 | 61.11 | 10.62 | 14.99 | 11.21 | 6.05 | 55.07 | 13.31 | 1.10 | 0.8 |
| 37 | P | 68.94 | 55.30 | 63.50 | 8.23 | 12.17 | 11.09 | 5.85 | 57.45 | 10.46 | 1.50 | 1.0 |
| | S | 68.94 | 54.71 | 63.50 | 7.77 | 12.17 | 11.21 | 6.05 | 57.45 | 10.46 | 1.10 | 0.8 |
| 25 | P | 52.65 | 38.84 | 47.04 | 8.23 | 12.17 | 11.07 | 5.85 | 41.02 | 10.46 | 1.10 | 0.8 |
| | S | 52.65 | 38.25 | 47.04 | 7.77 | 12.17 | 11.21 | 6.05 | 41.02 | 10.46 | 1.10 | 0.8 |
| 15 | P | 38.76 | 25.12 | 33.32 | 8.23 | 12.17 | 10.99 | 5.85 | 27.25 | 10.46 | 1.10 | 0.8 |
| | S | 38.76 | 24.54 | 33.32 | 7.77 | 12.17 | 11.21 | 6.05 | 27.25 | 10.46 | 1.10 | 0.8 |
| 09 | P | 30.43 | 16.79 | 24.99 | 8.23 | 12.17 | 10.99 | 5.85 | 19.02 | 10.46 | 1.10 | 0.8 |
| | S | 30.43 | 16.21 | 24.99 | 7.77 | 12.17 | 11.21 | 6.05 | 19.02 | 10.46 | 1.10 | 0.8 |
| SHELL SIZE | | A ^{+0.76} | B ^{+0.25} | C ^{+0.12} | D ^{+0.25} | E ^{+0.76} | F ^{MAX} | G ^{+0.15} | H ^{+0.51} | J ^{+0.51} | K ^{±0.2} | L ^{+0.22} |

NOTE: INSIDE DIMENSION OF MALE AND OUTSIDE DIMENSION OF THE FEMALE CONNETOR

TECHNICAL SPECIFICATIONS

- SHELLS : TIN/ZINC PLATED STEEL
- CONTACTS DIA ON ACTIVE AREA : Ø1 MM.
- CONTACTS MATERIAL : COPPER ALLOY
- CONTACT PLATING : GXT / GOLD OVER NICKEL (ACTIVE ZONE)
TIN OVER NICKEL (TERMINATION ZONE)
- FOR LEAD FREE PLATING : 2µ MIN. TIN TOP OVER
1.27µ MIN. NICKEL UNDER PLATE (ON TERMINATION ZONE)
- INSULATOR MATERIAL : SELF EXTINGUISHING THERMOPLASTIC-
TO UL CLASS 94 V0
THE HOUSING WILL WITHSTAND EXPOSURE TO 260-265°C
IF WE USE PROTECTIVE ADHESIVE (type Kapton or Teflon)
OR PROTECTIVE METALLIC DEVICE
- OPERATING TEMPERATURE : -55°C +125°C
- OPERATING CURRENT : 5 A PER CONTACT
- CONTACT RESISTANCE : ≤10m Ω
- INSULATION RESISTANCE : >5000 M Ω
- MAXIMUM VOLTAGE : 1000 V.r.m.s
- MECHANICAL ENDURANCE : 500 MATINGS FOR CODE 64
200 MATINGS FOR CODE 65
- DAMP HEAT : 56 DAYS FOR ≥0.75µ GOLD PLATING
21 DAYS FOR <0.40µ GOLD PLATING

ORDERING INFORMATION



| | | | | | | | | | |
|---------------------------|----------------|--|------------|--|------------------|------------------|--|--|------|
| mat'l. code SEE NOTE 4 | | surface ISO 1302 ✓ ISO 406 ISO 1101 | | tolerance tolerances unless otherwise specified | | projection MM | | product family | |
| ltr | ecn no | dr | date | angles | linear | scale - | | title | |
| D | 106-0074 | GVJ | 2006/06/08 | | | | | D- SUB S/S W/W CONNECTOR (WITH ASSEMBLY OPTIONS) | |
| E | 109-0179 | AMR | 2009/09/04 | | | | | dwg no | |
| F | 109-0195 | AMR | 2009/09/04 | | | | | sheet 1 of 1 | |
| G | 111-0003 | AMR | 2011/01/06 | dr | Mini K Vandanath | 1999/03/20 | | | size |
| H | 111-0047 | AMR | 2011/03/05 | enr | George V Joseph | 1999/03/20 | | | 5 |
| | | | | chr | Abhilash M R | 2009/09/04 | | | |
| | | | | appd | Sudhir Varma | 2009/09/04 | | | |
| sheet index | revision sheet | H | 1 | | | | | | |

"This LF product meets European Union Directives and other country regulations as described in GS-22-008"

The housing will withstand exposure to 260°C peak temperature for 3.5 seconds in a wave solder application with a 1.6mm minimum thick circuit board.

Packaging as per GS-14-920

X-ON Electronics

Largest Supplier of Electrical and Electronic Components

Click to view similar products for [Amphenol](#) manufacturer:

Other Similar products are found below :

[PT01SE-16-8P\(027\)](#) [PT01SE-16-8P\(476\)](#) [CTV06RW-11-2JB-LC](#) [97-3108A-22-14P](#) [10-474017-10P](#) [MS27473P14B18S](#) [TV06RW-25-90AE](#)
[PT02E10-2PW](#) [PT02E10-2PX](#) [97-3106A18-3PX-958](#) [97-3106A18-3PY-958](#) [TV06RL-13-35AD](#) [TV06RL-13-98BD](#) [TV06RW-25-46AE](#)
[TV06RL-13-35SD-LC](#) [TV06RL-13-35SD](#) [TV06RL-13-98SD-LC](#) [TV06RL-13-98SD](#) [TVP00RW-23-53AD](#) [PT02E10-2PW-025](#) [100-007-213-](#)
[002-001](#) [2M805-002-16NF23-12PA](#) [97-3108B16S-5PW-417](#) [97-3108B16S-5PY-417](#) [CS-DSDMDB37MF-025](#) [97-3108B16S-5PZ-417](#)
[PT06SE2041P](#) [CF-5A9013-04N](#) [CF-6A4615-06N](#) [GTC02R32-17S-025-RDS-LC](#) [GTC02R32-17S-025-LC](#) [PT06SE-24-61P\(LC\)](#) [SP28W1F](#)
[TV07DT-25-37P](#) [TV07DT-25-37JN-LC](#) [TV07DT-25-37S](#) [TV07DT-25-37S-LC](#) [TV07DT-25-46P-LC](#) [97-3101A20-21P-958](#) [TV07DT-25-](#)
[90P-LC](#) [TV07DT-25-46A](#) [TV07DT-25-37P-LC](#) [GTS08-36-22PZ-025-B30](#) [PT00SP2241P](#) [LJT06RT-15-35PB\(023\)](#) [TV06RW-23-53AB](#)
[LJT06RT-15-68PB-023](#) [97-3106A-22-9S\(621\)](#) [PT06A14-4S-005](#) [TVS07RF-15-19BB](#)