

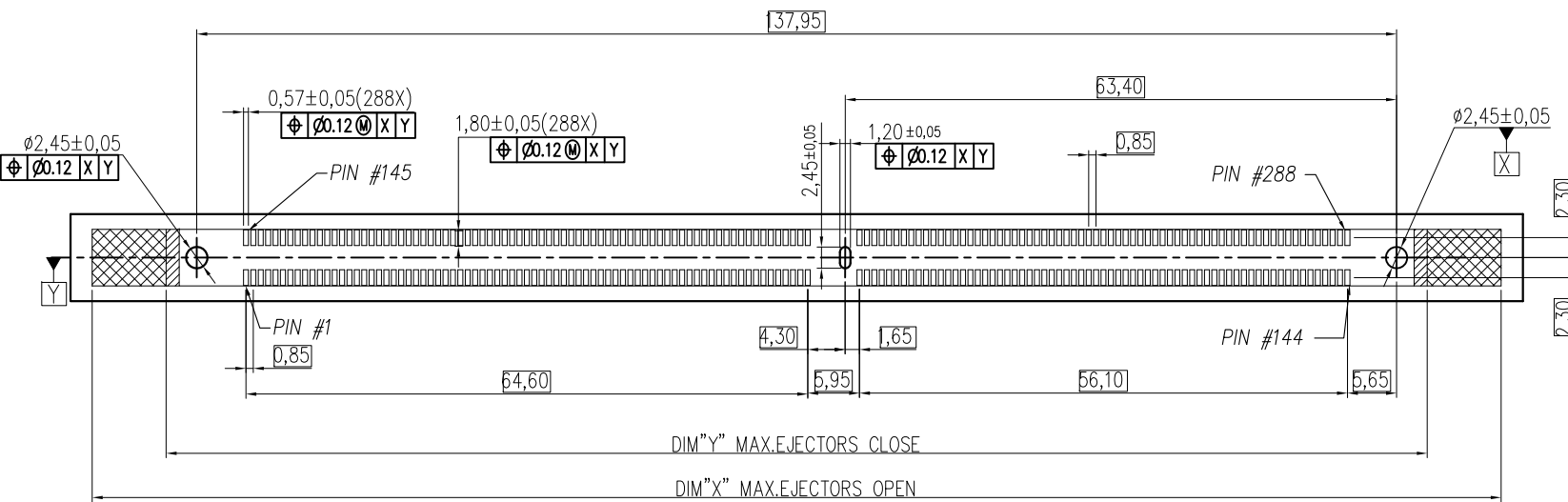
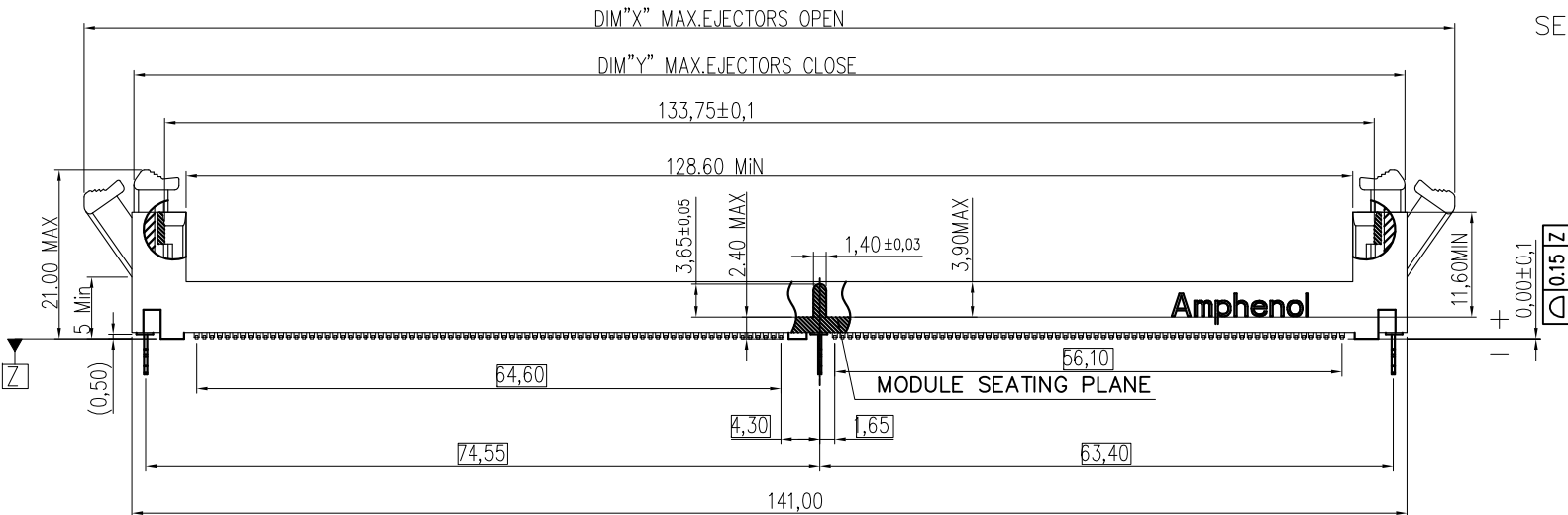
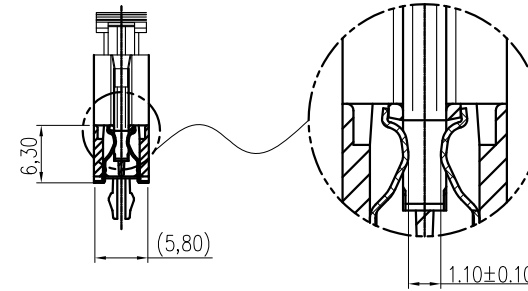
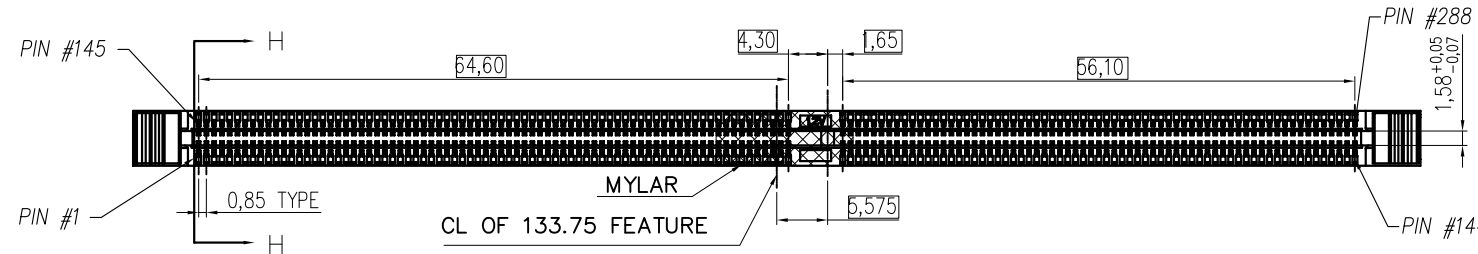
This document is the property of Amphenol Corporation and is delivered on the express condition that it is not to be disclosed, reproduced or used, in whole or in part, for manufacture or sale by anyone other than Amphenol Corporation without its prior consent, & that no right is granted to disclose or to use any information in this document.

PRO/E GENERATED DRAWING, DO NOT CHANGE BY HAND

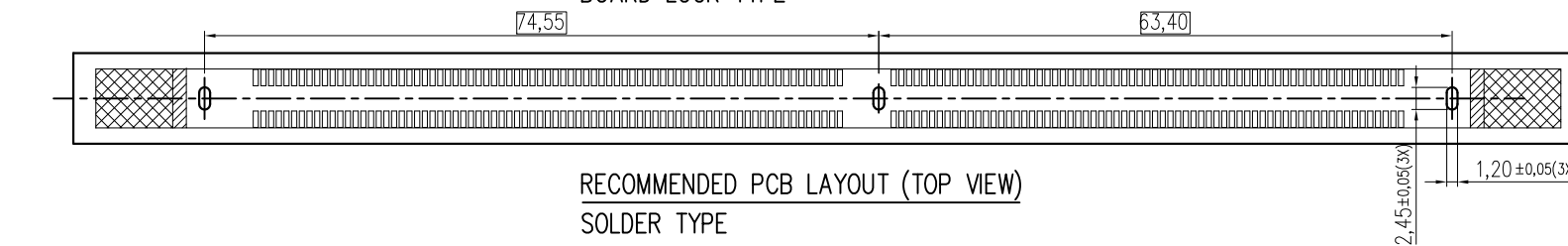
# CUSTOMER DRAWING

## REVISIONS

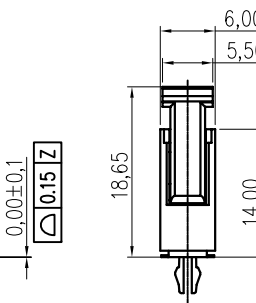
SYM	ECN	DESCRIPTION	DATE	APPROVED
1	HK--	FIRST RELEASE	7/8/14	IP
2	HK--	ADDED DIMENSIONS	8/27/14	IP
3	HK--	ADDED SOLDER TAB TYPE	9/19/14	IP
4	HK--	ADDED PACKING REQUIREMENT IN PAGE 3	12/3/14	IP
5	HK--	ADDED PACKING OPTIONS	12/10/14	IP
6	HK--	MODIFIED SECTION H AND ADDED LATCH PROFILE	02/09/15	IP
7	HK--	ADDED COLOR OPTIONS	03/12/15	IP



RECOMMENDED PCB LAYOUT (TOP VIEW)  
BOARD LOCK TYPE

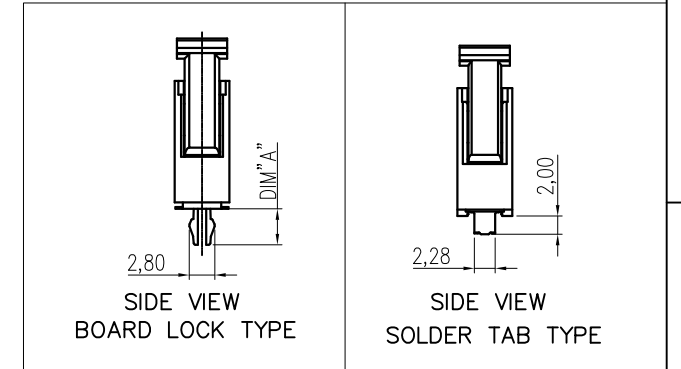


RECOMMENDED PCB LAYOUT (TOP VIEW)  
SOLDER TYPE



### NOTES:

- MATERIAL:**  
HOUSING: HIGH TEMPERATURE THERMAL PLASTIC, OPTION, UL94V-0, COLOR: OPTION.  
LATCH: HIGH TEMPERATURE THERMAL PLASTIC, OPTION, UL94V-0, COLOR: OPTION.  
TERMINAL: COPPER ALLOY.  
BOARDLOCK: COPPER ALLOY.
- FINISH:**  
TERMINAL:  
CONTACT AREA: SELECTED GOLD PLATING;  
SOLDERING AREA: MATTE TIN PLATING 100 μ" THICKNESS MIN.;  
UNDER PLATING: NICKEL PLATING 50 μ" THICKNESS MIN. OVERALL  
BOARDLOCK:  
NICKEL PLATING 80 μ" THICKNESS MIN.;
- PACKING:** PKS-ZDDR4-001, MPQ: 480PCS
- THIS PRODUCT IS HALOGEN-FREE COMPLIANT PRODUCT.
- ORDER PN SYSTEM:**  
DOUBLE DATA RATE 4 SERIES DDR4-288-S-XX-X-X-X-X  
NO. OF POSITIONS: 288 POS.  
VERTICAL SMT TYPE  
SEQUENCE NUMBER:  
01: 3 FORLOCK TYPE; DIM"A": 3.94MM; PCB THK: 1.57MM; WITH MYLAR  
02: 3 FORLOCK TYPE; DIM"A": 3.94MM; PCB THK: 1.57MM; WITHOUT MYLAR  
03: 3 FORLOCK TYPE; DIM"A": 4.60MM; PCB THK: 2.36MM; WITH MYLAR  
04: 3 FORLOCK TYPE; DIM"A": 4.60MM; PCB THK: 2.36MM; WITHOUT MYLAR  
05: 3 SOLDER TAB TYPE; WITH MYLAR  
06: 3 SOLDER TAB TYPE; WITHOUT MYLAR  
07: 2 S/TAB(TWO SIDE), 1 FL/TYPE(MIDDLE) DIM"A" 3.94MM WITH MYLAR  
08: 2 S/TAB(TWO SIDE), 1 FL/TYPE(MIDDLE) DIM"A" 3.94MM WITHOUT MYLAR  
  
HOUSING/LATCH COLOR  
1: NYLON, BLACK/ NYLON, BLACK  
2: NYLON, BLACK/ NYLON, NATURAL(IVORY)  
3: NYLON, NATURAL(IVORY)/ NYLON, BLACK  
4: NYLON, NATURAL(IVORY)/ NYLON, NATURAL(IVORY)  
5: NYLON, BLUE/ NYLON, NATURAL(IVORY)  
6: NYLON, GREEN/ NYLON, NATURAL(IVORY)  
7: NYLON, BLUE/ NYLON, BLUE  
8: NYLON, BLACK/NYLON, BLUE



### LATCH PROFILE

NIL: DIM X=152MAX; DIM Y=142MAX

F: DIM X=162MAX; DIM Y=145MAX

### LATCH OPTION/REMARK:

NIL: DIM X=152MAX; DIM Y=142MAX

F: DIM X=162MAX; DIM Y=145MAX

### PACKAGE CODE:

T: TRAY  
H: HARD TRAY

### CONTACT PLATED

- 0: GOLD FLASH
- 1: 15 μ" GOLD
- 2: 20 μ" GOLD
- 3: 30 μ" GOLD
- 4: 3 μ" GOLD OVER 12 μ" PdNi
- 5: 3 μ" GOLD OVER 27 μ" PdNi



UNLESS OTHERWISE SPECIFIED TOLERANCES		APPROVAL		DATE
U.S.	METRIC	DRAWN	Acon.Dai	03/12/15
0.0	+/-	CHECKED	Dam.he	03/12/15
0.00	+/-	CHECKED		
0.000	+/-			
FRACTIONS +/-				
ANGLES +/-	1°			
FOR MATERIALS AND FINISHES SEE NOTES		DRAWING FILE : \DRAWING\DDR4\DDR4288S00000X-7		
REMOVE SHARP EDGES		ANGLE OF PROJECTION		
DIMENSIONS				
U.S.	INCHES			
(METRIC)	(MM)			

Amphenol

Amphenol East Asia Limited

TITLE Customer drawing For DDR4 Series, 288 pos., 0.85 pitch Vertical SMT Type

SIZE	DRAWING NO.	REV.
A3	DDR4-288-S-XX-XX-X-X	7
SCALE	N/A	SHEET 1 OF 3

This document is the property of Amphenol Corporation and is delivered on the express condition that it is not to be disclosed, reproduced or used, in whole or in part, for manufacture or sale by anyone other than Amphenol Corporation without its prior consent, & that no right is granted to disclose or to use any information in this document.

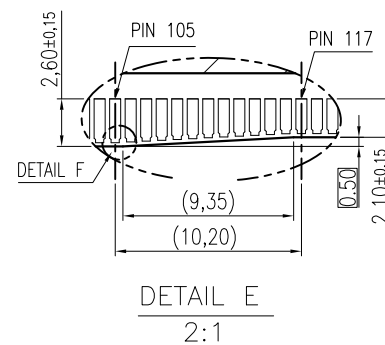
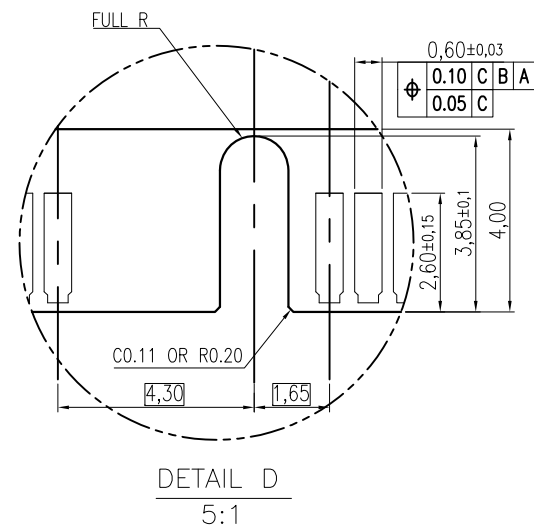
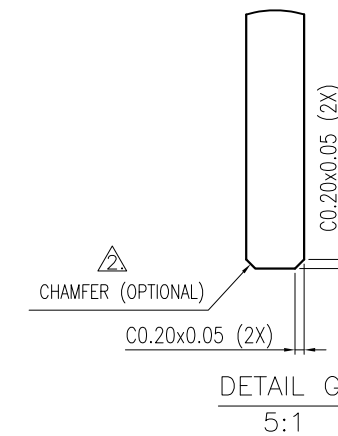
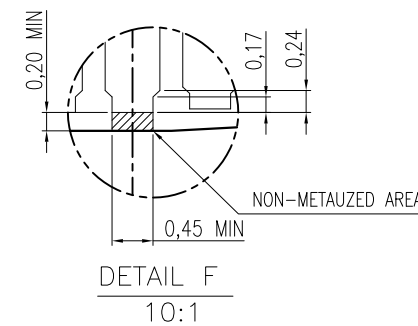
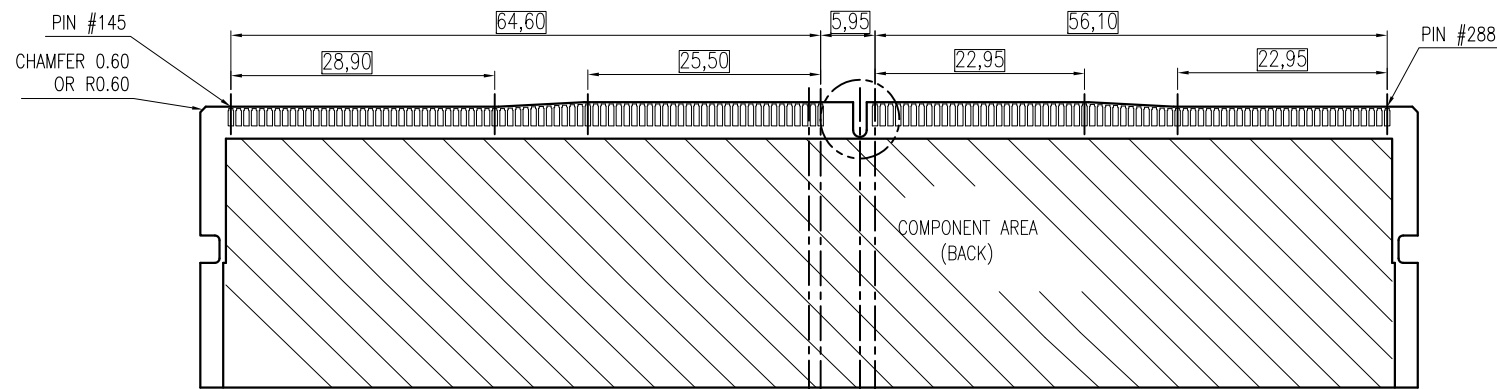
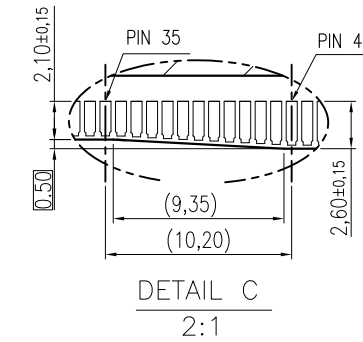
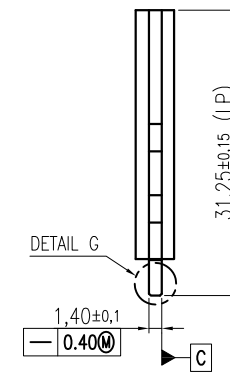
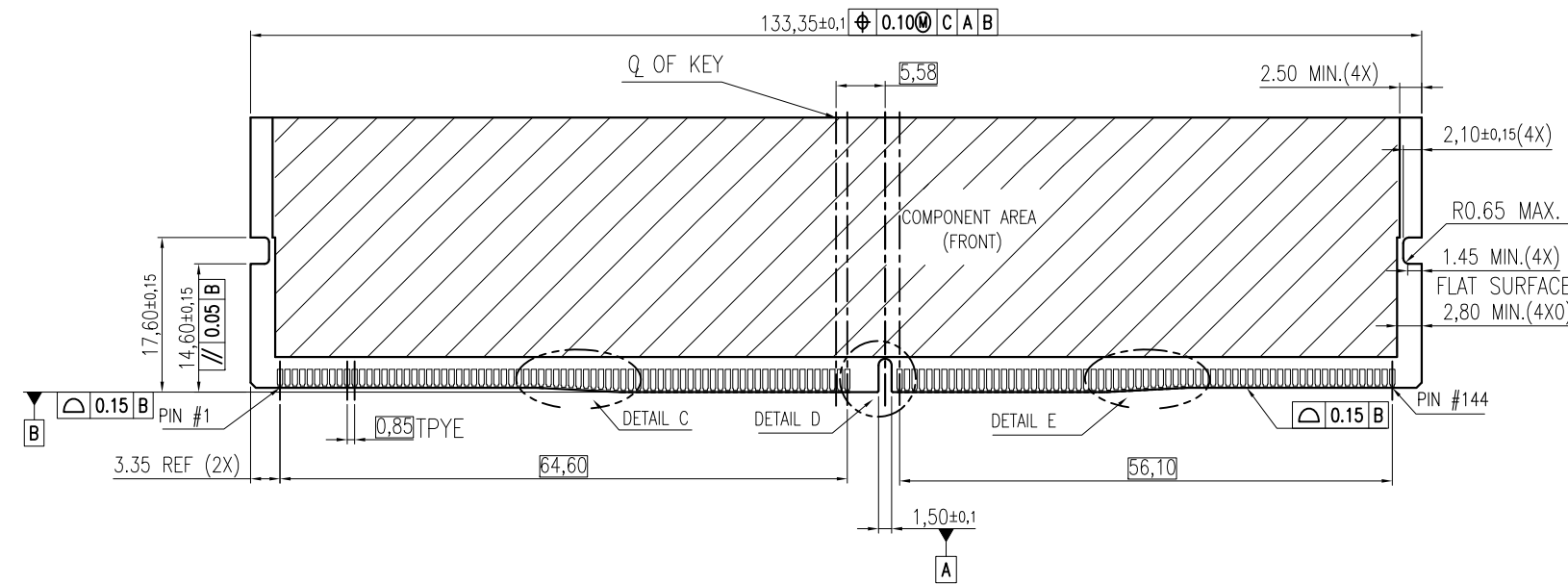
PRO/E GENERATED DRAWING, DO NOT CHANGE BY HAND

# CUSTOMER DRAWING

REVISIONS				
SYM	ECN	DESCRIPTION	DATE	APPROVED
SEE SHEET 1				

NOTES:

- RECOMMENDED PLATING FOR CONTACT PADS:  
 PREFERRED: 0.76 MICROMETERS GOLD PLATING MIN.  
 OVER 2.00 MICROMETERS NICKEL.  
 ALTERNATIVE: 0.05~0.75 MICROMETERS GOLD PLATING  
 OVER 2.00 MICROMETERS NICKEL MUST USE AN ELECTRONIC  
 CONTACT GRADE CORROSIVE BARRIER LUBRICANT.  
 △ CHAMFER IS OPTIONAL AND IS NOT TO HIT GOLD PADS.



UNLESS OTHERWISE SPECIFIED TOLERANCES	U.S.	METRIC	APPROVAL	DATE	<b>Amphenol</b> Amphenol East Asia Limited TITLE Customer drawing For DDR4 Series, 288 pos., 0.85 pitch Vertical SMT Type
	0.0 +/-	0.30	DRAWN Acon.Dal	03/12/15	
	0.00 +/-	0.20	CHECKED Dam.he	03/12/15	
	0.000 +/-	0.10	CHECKED		
FOR MATERIALS AND FINISHES SEE NOTES	FRACTIONS +/-	1"	DRAWING FILE : \\DRAWING\DDR4\DDR4288S\000000-7		
REMOVE SHARP EDGES	ANGLE OF PROJECTION				
DIMENSIONS					SIZE A3
U.S.	INCHES				DRAWING NO. DDR4-288-S-XX-XX-T-X
(METRIC)	(MM)				REV. 7
			SCALE	N/A	SHEET 2 OF 3

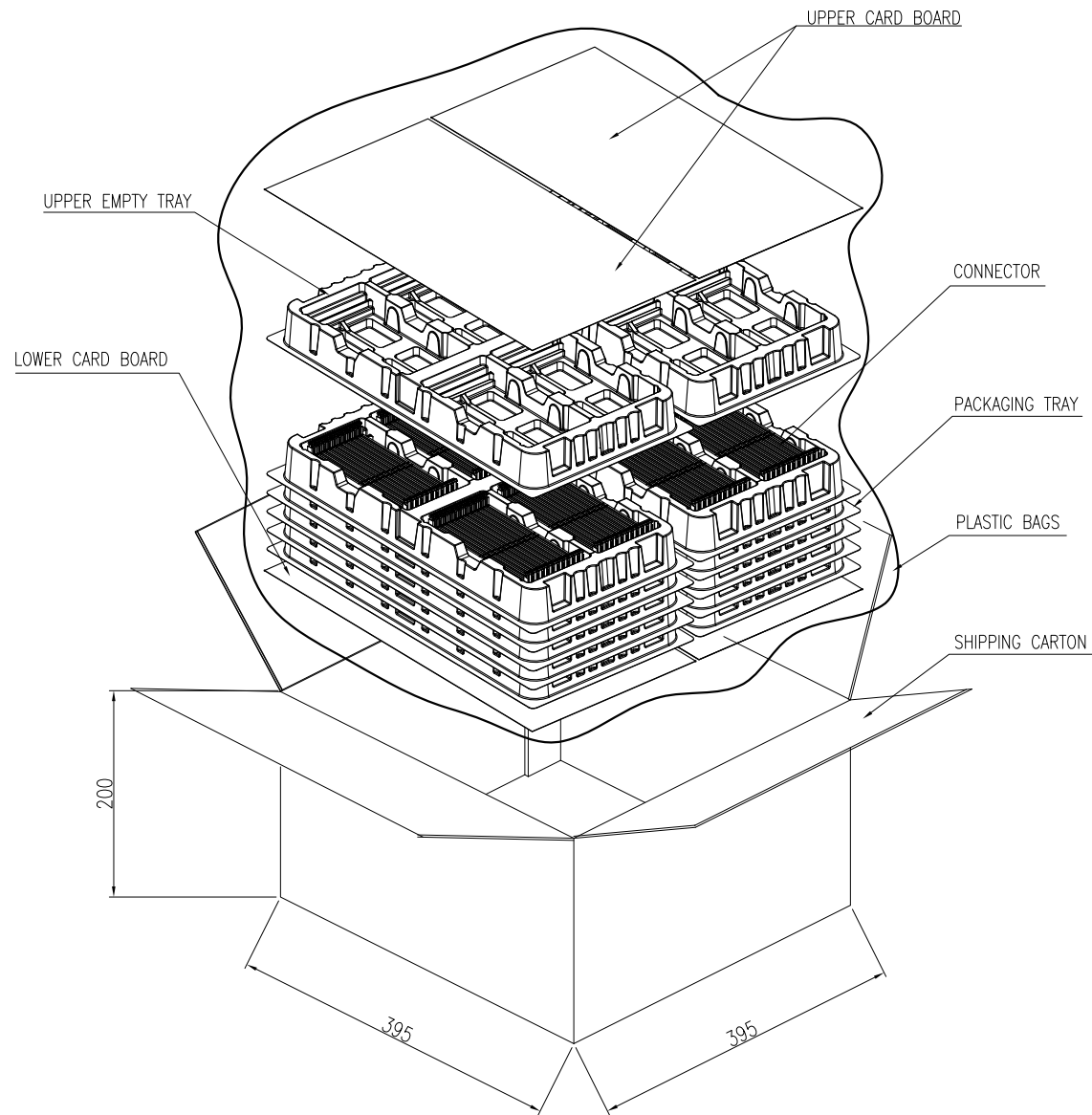


This document is the property of Amphenol Corporation and is delivered on the express condition that it is not to be disclosed, reproduced or used, in whole or in part, for manufacture or sale by anyone other than Amphenol Corporation without its prior consent, & that no right is granted to disclose or to use any information in this document.

PRO/E GENERATED DRAWING,DO NOT CHANGE BY HAND

# CUSTOMER DRAWING

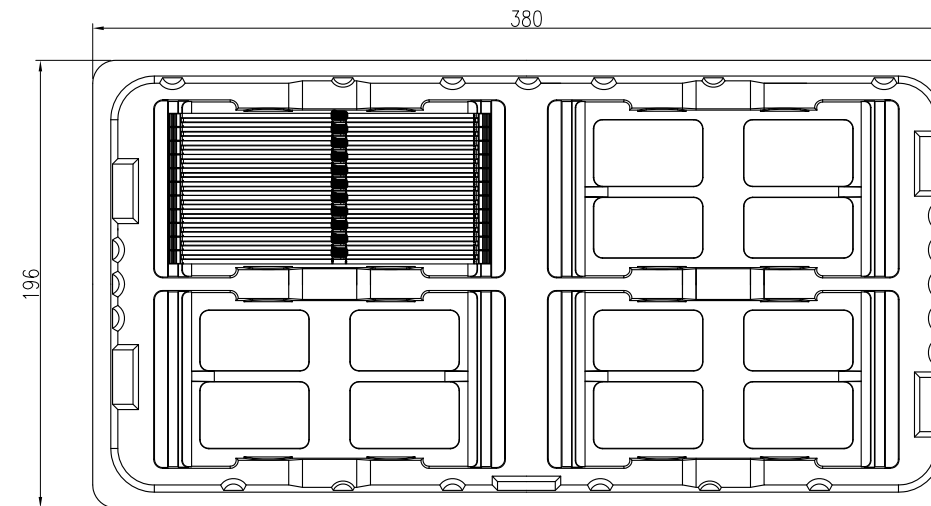
REVISIONS					
SYM	ECN	DESCRIPTION	DATE	APPROVED	
SEE SHEET 1					



**NOTES:**

1. IN THE 14 PLASTIC TRAYS ,THE TWO TOP PLASTIC TRAYS ARE TO COVER THE CONNECTORS ,THE OTHERS ARE FILLED WITH CONNECTORS.

TOTEL TRAY PER CARTON	QT'Y/TRAY	QT'Y/SHIPPING CARTON	PLASTIC BAGS QT'Y /SHIPPING CARTON	G.W.	N.W.
14	40	480	1	5.2 KGf	3.2 KGf



UNLESS OTHERWISE SPECIFIED TOLERANCES		APPROVAL		DATE	<b>Amphenol</b> Amphenol East Asia Limited TITLE Customer drawing For DDR4 Series, 288 pos.,0.85 pitch Vertical SMT Type
	U.S. METRIC	DRAWN	Acon.Dal	03/12/15	
0.0 +/-	0.30	CHECKED	Dem.he	03/12/15	
0.00 +/-	0.20	CHECKED			
0.000 +/-	0.10	DRAWING FILE :			
FRACTIONS +/-	1"	FOR MATERIALS AND FINISHES SEE NOTES			
ANGLES +/-		REMOVE SHARP EDGES			
DIMENSIONS		ANGLE OF PROJECTION			
U.S.	INCHES			SIZE	DRAWING NO.
(METRIC)	(MM)			A3	DDR4-288-S-XX-XX-X-X
		SCALE	N/A	SHEET 3 OF 3	

## X-ON Electronics

Largest Supplier of Electrical and Electronic Components

*Click to view similar products for [DIMM Connectors](#) category:*

*Click to view products by [Amphenol](#) manufacturer:*

Other Similar products are found below :

[1-1932649-2](#) [1-1761024-0](#) [2309411-5](#) [10116658-252ASLF](#) [5390471-1](#) [2309413-3](#) [78507-0061](#) [KIT-SODIMM-1X16GB/01](#) [10129206-0010013LF](#) [10086891-052TSLF](#) [10079192-11102LF](#) [10116658-152FSLF](#) [10129206-0011113LF](#) [1-2308107-0](#) [2013310-1](#) [2013289-1](#) [390111-1](#) [390112-1](#) [2309413-1](#) [2309407-1](#) [2309414-1](#) [10081530-12208LF](#) [151080-0001](#) [78726-1004](#) [10005639-11107LF](#) [10005639-11109LF](#) [10005639-12207LF](#) [10023061-10207LF](#) [10033853-252FSLF](#) [10033853-052ASLF](#) [10033853-052FSLF](#) [10033853-152FSLF](#) [10033854-052FSLF](#) [10034542-10002LF](#) [10037402-12207LF](#) [10081530-11107LF](#) [10081530-12207LF](#) [10081530-12218LF](#) [10124632-0030001LF](#) [10124806-01006LF](#) [10145891-0320J13LF](#) [10145226-0241N13LF](#) [59354-052FSLF](#) [59355-052FSLF](#) [DDR4288S0211TF](#) [DDR4288S0511H](#) [DDR4288S0511TF](#) [DDR4288V0123TF](#) [DDR4288V0213TF](#) [DDR502112001K](#)