

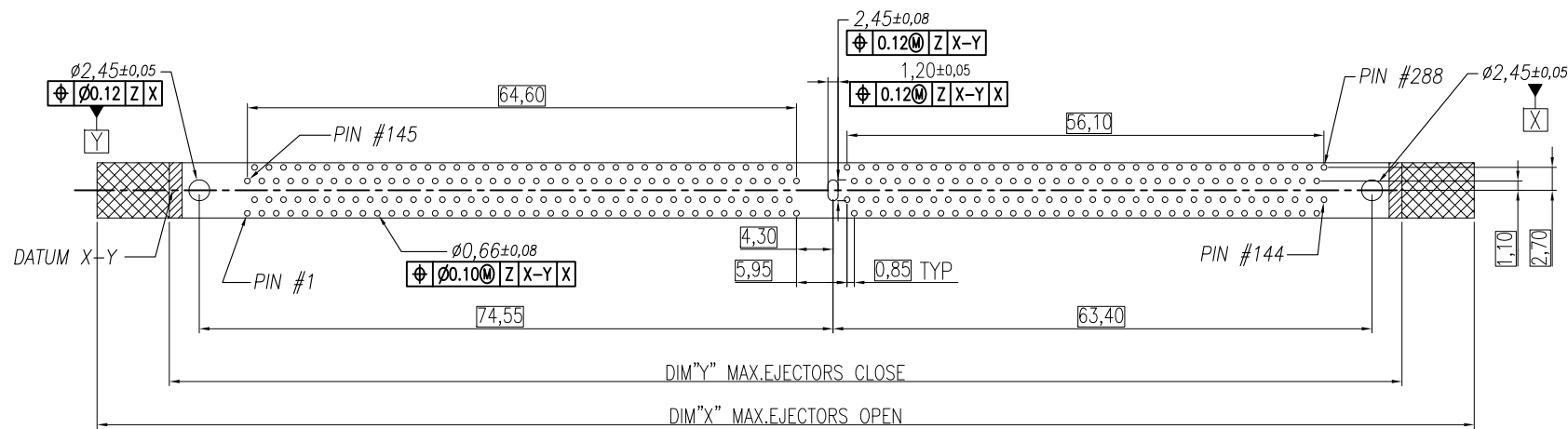
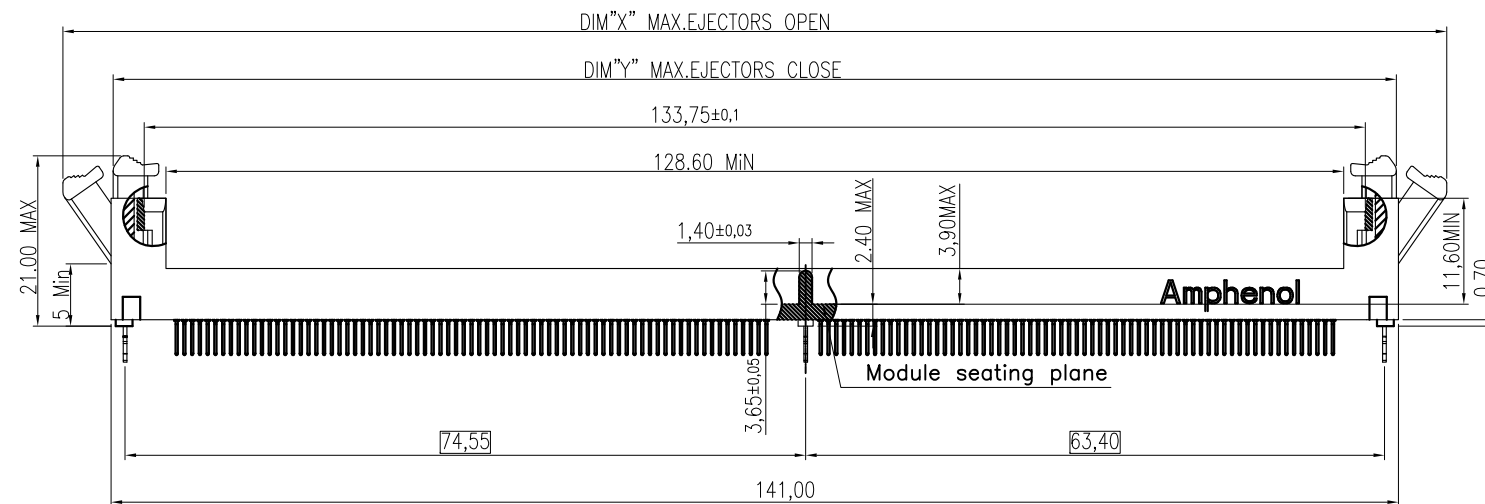
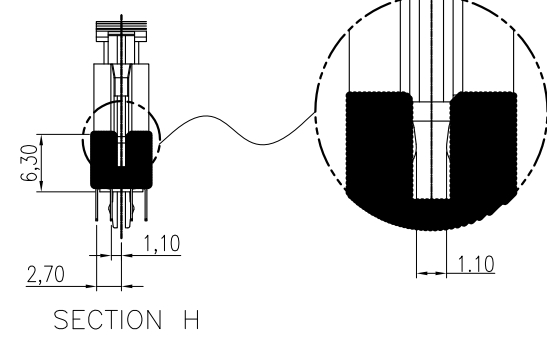
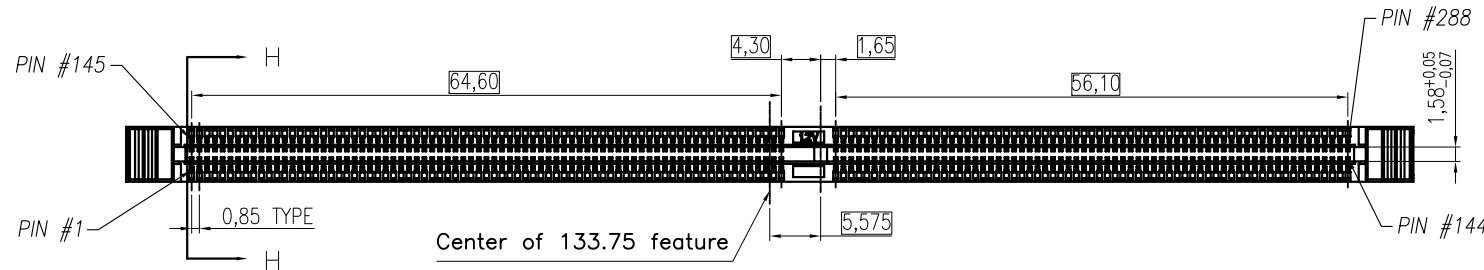
This document is the property of Amphenol Corporation and is delivered on the express condition that it is not to be disclosed, reproduced or used, in whole or in part, for manufacture or sale by anyone other than Amphenol Corporation without its prior consent, & that no right is granted to disclose or to use any information in this document.

PRO/E GENERATED DRAWING, DO NOT CHANGE BY HAND

CUSTOMER DRAWING

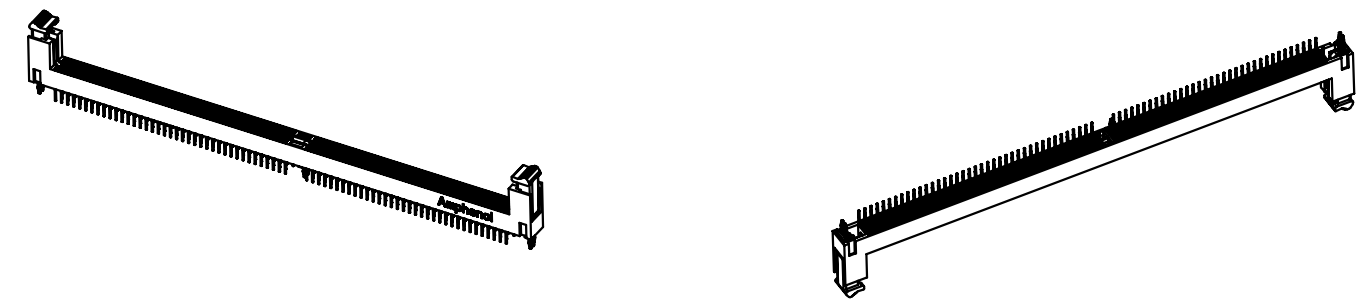
REVISIONS

SYM	ECN	DESCRIPTION	DATE	APPROVED
1	HK--	First Release	12/16/13	IP
2	HK--	Added latch option and some dimensions, and modified the q'ty of packing	08/21/14	IP
3	HK--	Added dimensions per customer's requirement	08/26/14	IP
4	HK--	Added color options	01/06/15	IP
5	HK--	Added a dimension and latch profile	01/26/15	IP



NOTES:

- MATERIAL:**
HOUSING: HIGH TEMPERATURE THERMAL PLASTIC, OPTION, UL94V-0, COLOR: OPTION.
LATCH: HIGH TEMPERATURE THERMAL PLASTIC, OPTION, UL94V-0. COLOR: OPTION.
TERMINAL: COPPER ALLOY.
BOARDLOCK: COPPER ALLOY.
 - FINISH:**
TERMINAL:
CONTACT AREA: SELECTED GOLD PLATING;
SOLDERING AREA: MATTE TIN PLATING 100 μ" THICKNESS MIN.;
UNDER PLATING: NICKEL PLATING 50 μ" THICKNESS MIN. OVERALL
BOARDLOCK:
NICKEL PLATING 80 μ" THICKNESS MIN.;
 - PACKING:** PK5-ZDDR4-001, MPQ: 480pcs
 - THIS PRODUCT IS HALOGEN-FREE COMPLIANT PRODUCT.
 - Order p/n system:
DDR4-288-V-XX-X-X-T-X
- DOUBLE DATA RATE 4 SERIES
NO. OF POSITIONS: 288 POS.
VERTICAL
SEQUENCE NUMBER:
{DIP OPTION (DIMA, DIMB, PCB)}
01: DIP=2.10MM, 3.94MM, 1.57 PCB
02: DIP=2.67MM, 3.94MM, 1.57 PCB
03: DIP=2.95MM, 4.60MM, 2.36 PCB
04: DIP=3.18MM, 4.60MM, 2.36 PCB
- HOUSING/LATCH COLOR
1: NYLON, BLACK/ NYLON, BLACK
2: NYLON, BLACK/ NYLON, NATURAL(IVORY)
3: NYLON, NATURAL(IVORY)/ NYLON, BLACK
4: NYLON, NATURAL(IVORY)/ NYLON, NATURAL(IVORY)
5: NYLON, BLUE/ NYLON, NATURAL(IVORY)
6: NYLON, GREEN/ NYLON, NATURAL(IVORY)
7: NYLON, BLUE/ NYLON, BLUE
8: NYLON, YELLOW/ NYLON, NATURAL(IVORY)
- LATCH PROFILE**
NIL: DIM "X" = 152MAX; DIM "Y" = 142MAX
F: DIM "X" = 162MAX; DIM "Y" = 145MAX
- LATCH OPTION/REMARK:**
NIL: DIM "X" = 152MAX; DIM "Y" = 142MAX
F: DIM "X" = 162MAX; DIM "Y" = 145MAX
- PACKAGE CODE:**
T: TRAY
- CONTACT PLATED**
0: GOLD FLASH
1: 15 μ" GOLD
2: 20 μ" GOLD
3: 30 μ" GOLD
4: 3 μ" GOLD OVER 12 μ" PdNi
5: 3 μ" GOLD OVER 27 μ" PdNi



PART NO.	DIM. "A"	DIM. "B"	PCB THK
DDR4288V01XXTX	2.10	3.94	1.57
DDR4288V02XXTX	2.67	3.94	1.57
DDR4288V03XXTX	2.95	4.60	2.36
DDR4288V04XXTX	3.18	4.60	2.36

UNLESS OTHERWISE SPECIFIED TOLERANCES		APPROVAL		DATE	
U.S.	METRIC	DRAWN	Acon.Dal	01/26/15	
0.0	+/-	CHECKED	Dam.he	01/26/15	
0.00	+/-	CHECKED			
0.000	+/-				
FRACTIONS +/-					
ANGLES +/-	1°				

FOR MATERIALS AND FINISHES SEE NOTES

REMOVE SHARP EDGES

DIMENSIONS

U.S. INCHES

(METRIC) (MM)

ANGLE OF PROJECTION

Amphenol
Amphenol East Asia Limited

TITLE: Customer drawing For DDR4 Series, 288 pos., 0.85 pitch Vertical Dip Type

SIZE: A3
DRAWING NO.: DDR4-288-V-XX-X-X-T-X
REV.: 5

SCALE: N/A
SHEET 1 OF 3



This document is the property of Amphenol Corporation and is delivered on the express condition that it is not to be disclosed, reproduced or used, in whole or in part, for manufacture or sale by anyone other than Amphenol Corporation without its prior consent, & that no right is granted to disclose or to use any information in this document.

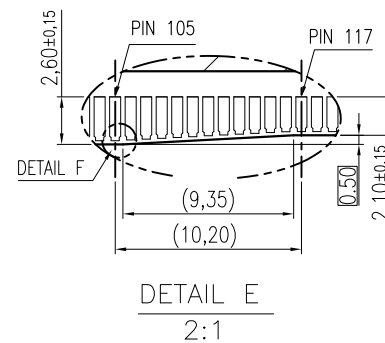
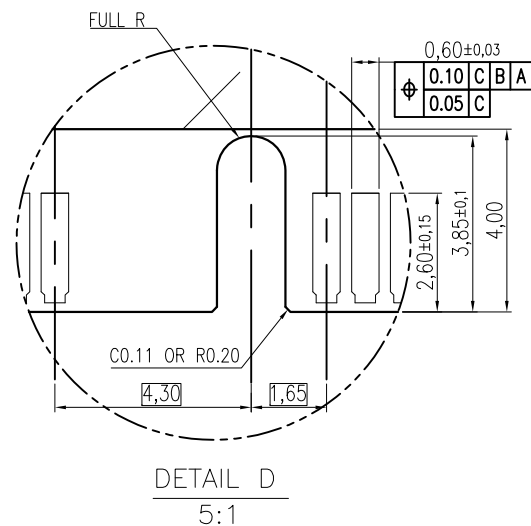
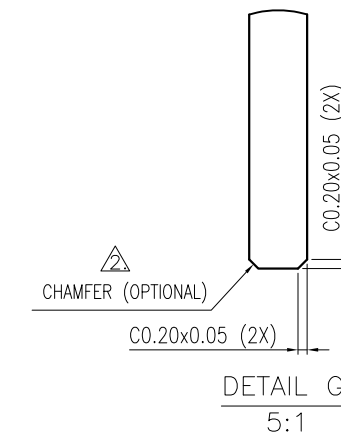
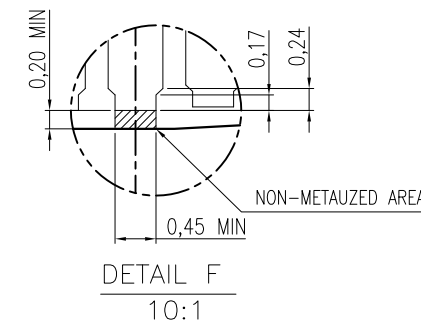
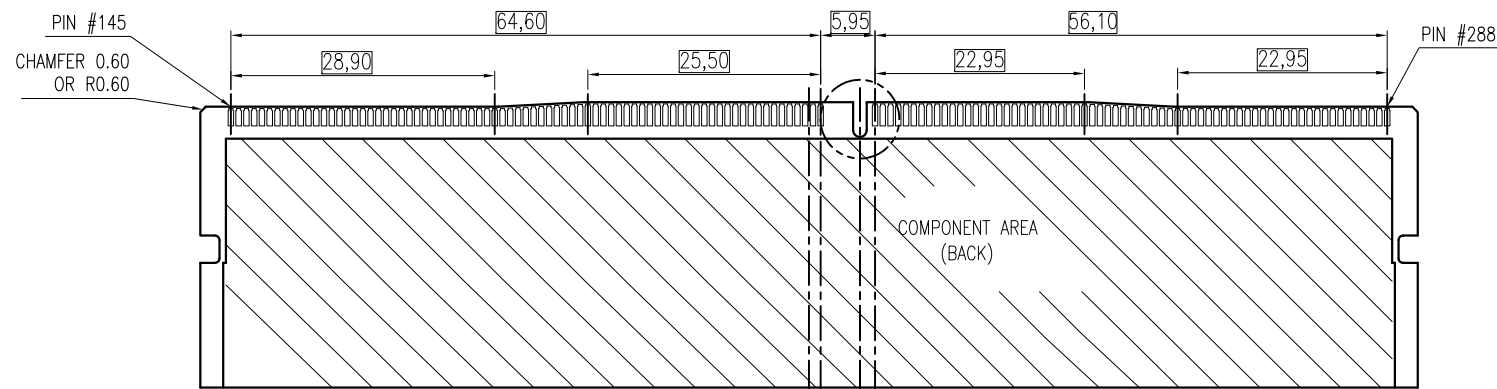
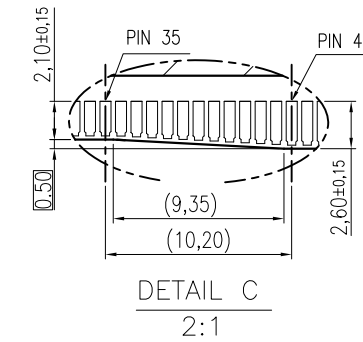
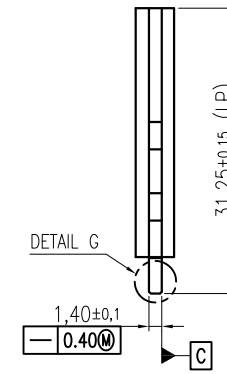
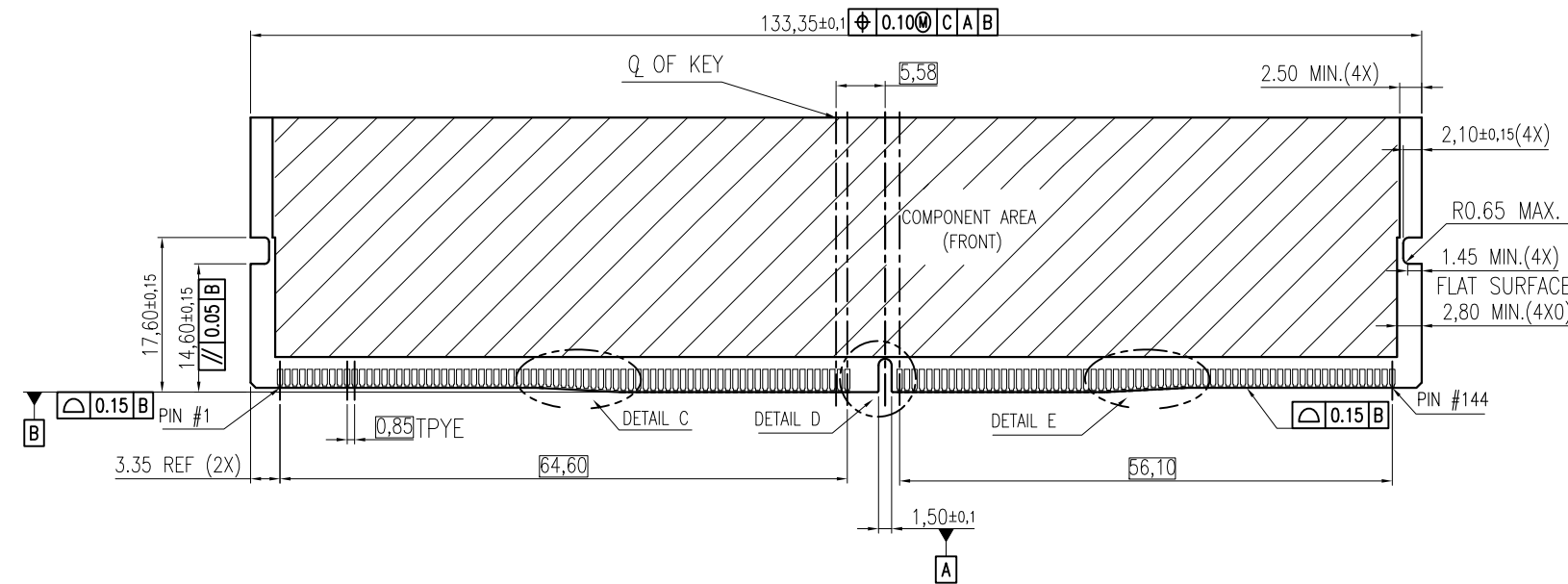
PRO/E GENERATED DRAWING, DO NOT CHANGE BY HAND

CUSTOMER DRAWING

REVISIONS				
SYM	ECN	DESCRIPTION	DATE	APPROVED
SEE SHEET 1				

NOTES:

- RECOMMENDED PLATING FOR CONTACT PADS:
 PREFERRED: 0.76 MICROMETERS GOLD PLATING MIN.
 OVER 2.00 MICROMETERS NICKEL.
 ALTERNATIVE: 0.05~0.75 MICROMETERS GOLD PLATING
 OVER 2.00 MICROMETERS NICKEL MUST USE AN ELECTRONIC
 CONTACT GRADE CORROSIVE BARRIER LUBRICANT.
 △ CHAMFER IS OPTIONAL AND IS NOT TO HIT GOLD PADS.



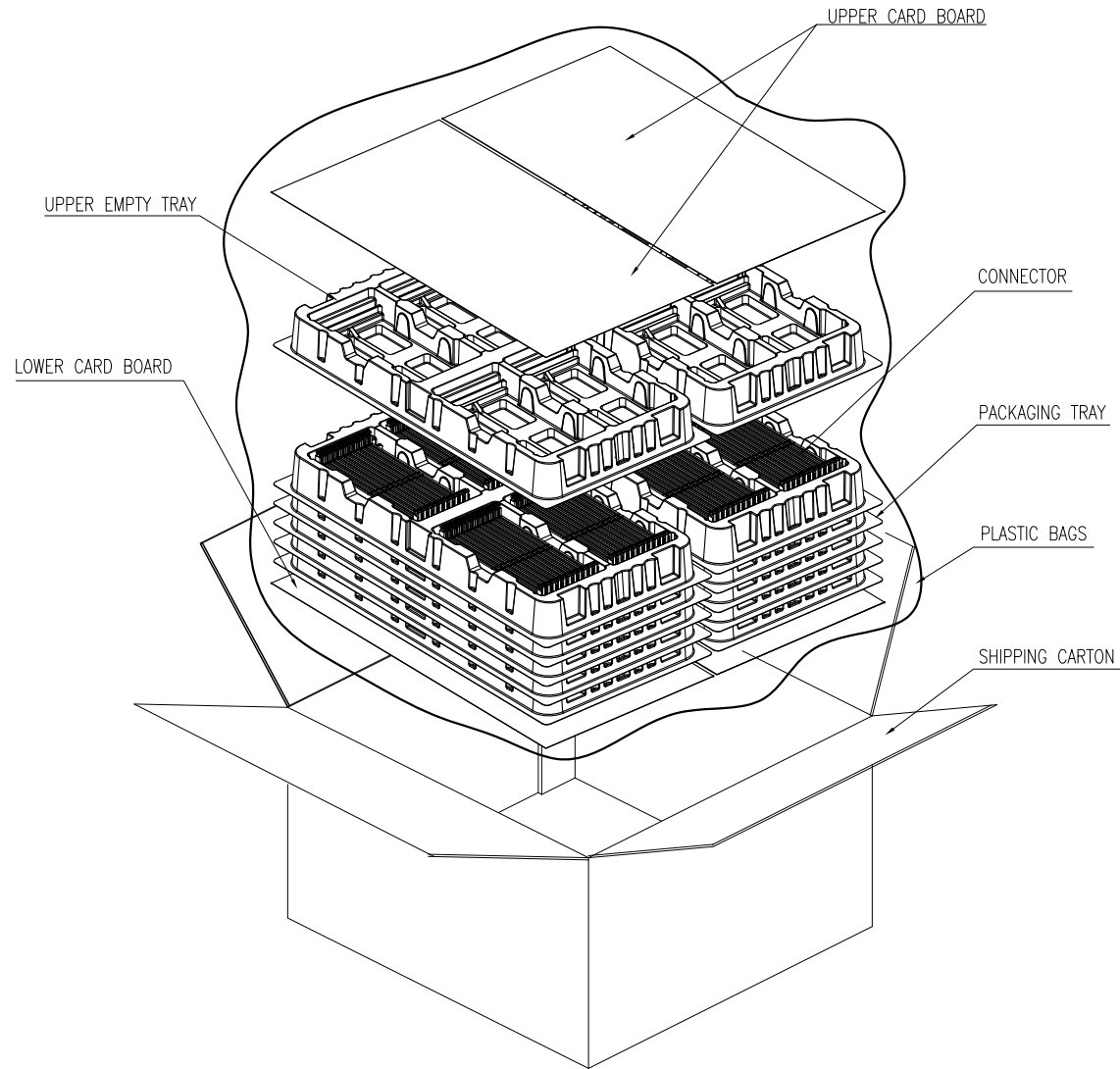
UNLESS OTHERWISE SPECIFIED TOLERANCES		APPROVAL		DATE	Amphenol Amphenol East Asia Limited
U.S.	METRIC	DRAWN	Acon.Dal	01/26/15	
0.0	+/-	0.30	CHECKED	Dam.he	01/26/15
0.00	+/-	0.20	CHECKED		
0.000	+/-	0.10			
FRACTIONS +/-		DRAWING FILE :		TITLE	
ANGLES +/-		FOR MATERIALS AND FINISHES SEE NOTES		Customer drawing For DDR4 Series, 288 pos., 0.85 pitch Vertical Dip Type	
REMOVE SHARP EDGES		ANGLE OF PROJECTION		SIZE	DRAWING NO.
DIMENSIONS				A3	DDR4-288-V-XX-X-X-T-X
U.S.				SCALE	N/A
(METRIC)				SHEET	2 OF 3

This document is the property of Amphenol Corporation and is delivered on the express condition that it is not to be disclosed, reproduced or used, in whole or in part, for manufacture or sale by anyone other than Amphenol Corporation without its prior consent, & that no right is granted to disclose or to use any information in this document.

PRO/E GENERATED DRAWING,DO NOT CHANGE BY HAND

CUSTOMER DRAWING

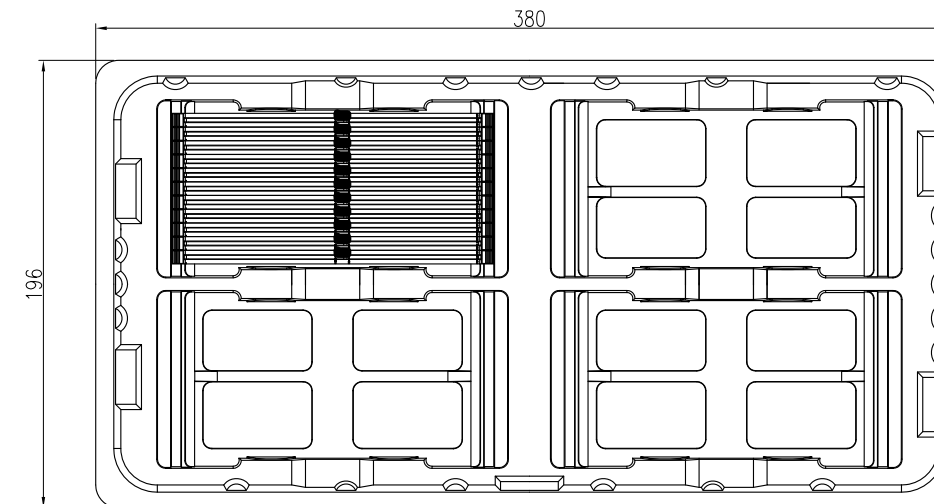
REVISIONS					
SYM	ECN	DESCRIPTION	DATE	APPROVED	
SEE SHEET 1					



NOTES:

1. IN THE 14 PLASTIC TRAYS ,THE TWO TOP PLASTIC TRAYS ARE TO COVER THE CONNECTORS ,THE OTHERS ARE FILLED WITH CONNECTORS.

TOTEL TRAY PER CARTON	QT'Y/TRAY	QT'Y/SHIPPING CARTON	PLASTIC BAGS QT'Y /SHIPPING CARTON	G.W.	N.W.
14	40	480	1	5.2 KGf	3.2 KGf



UNLESS OTHERWISE SPECIFIED TOLERANCES		APPROVAL		DATE	Amphenol Amphenol East Asia Limited TITLE Customer drawing For DDR4 Series, 288 pos.,0.85 pitch Vertical Dip Type
	U.S. METRIC	DRAWN	Acon.Dal	01/26/15	
0.0 +/-	0.30	CHECKED	Dam.he	01/26/15	
0.00 +/-	0.20	CHECKED			
0.000 +/-	0.10	DRAWING FILE :			
FRACTIONS +/-	1"	\DRAWING\DDR4\DDR4288V0000TX-S			
ANGLES +/-		REMOVE SHARP EDGES			
FOR MATERIALS AND FINISHES SEE NOTES		ANGLE OF PROJECTION			
DIMENSIONS				SIZE	DRAWING NO.
U.S.	INCHES			A3	DDR4-288-V-XX-X-X-T-X
(METRIC)	(MM)	SCALE	N/A	SHEET 3 OF 3	

X-ON Electronics

Largest Supplier of Electrical and Electronic Components

Click to view similar products for [DIMM Connectors](#) category:

Click to view products by [Amphenol](#) manufacturer:

Other Similar products are found below :

[1-1932649-2](#) [1-1761024-0](#) [2309411-5](#) [10116658-252ASLF](#) [5390471-1](#) [2309413-3](#) [78507-0061](#) [KIT-SODIMM-1X16GB/01](#) [10129206-0010013LF](#) [10086891-052TSLF](#) [10079192-11102LF](#) [10116658-152FSLF](#) [10129206-0011113LF](#) [1-2308107-0](#) [2013310-1](#) [2013289-1](#) [390111-1](#) [390112-1](#) [2309413-1](#) [2309407-1](#) [2309414-1](#) [10081530-12208LF](#) [151080-0001](#) [78726-1004](#) [10005639-11107LF](#) [10005639-11109LF](#) [10005639-12207LF](#) [10023061-10207LF](#) [10033853-252FSLF](#) [10033853-052ASLF](#) [10033853-052FSLF](#) [10033853-152FSLF](#) [10033854-052FSLF](#) [10034542-10002LF](#) [10037402-12207LF](#) [10081530-11107LF](#) [10081530-12207LF](#) [10081530-12218LF](#) [10124632-0030001LF](#) [10124806-01006LF](#) [10145891-0320J13LF](#) [10145226-0241N13LF](#) [59354-052FSLF](#) [59355-052FSLF](#) [DDR4288S0211TF](#) [DDR4288S0511H](#) [DDR4288S0511TF](#) [DDR4288V0123TF](#) [DDR4288V0213TF](#) [DDR502112001K](#)