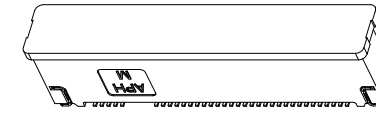
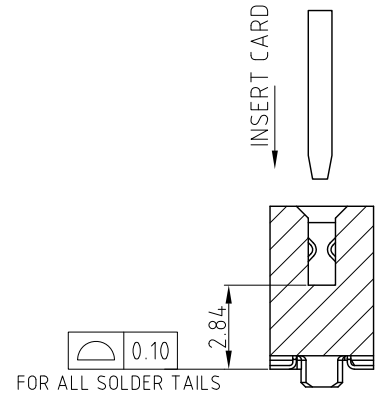
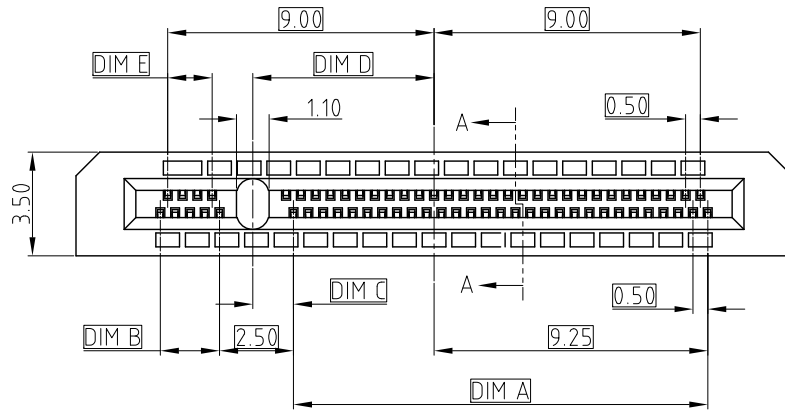


This document is the property of Amphenol Corporation and is delivered on the express condition that it is not to be disclosed, reproduced or used, in whole or in part, for manufacture or sale by anyone other than Amphenol Corporation without its prior consent, & that no right is granted to disclose or to use any information in this document.

CUSTOMER DRAWING

REVISIONS

| SYM | ECN | DESCRIPTION | DATE | APPROVED |
|-----|--------|-----------------------|-------------|----------|
| 1 | CD0828 | NEW RELEASE | Jul.15,2015 | YH |
| 2 | CD1012 | ADD THE TOOLED STATUS | May.18,2018 | YH |



WITH PICK UP CAP



NOTE:

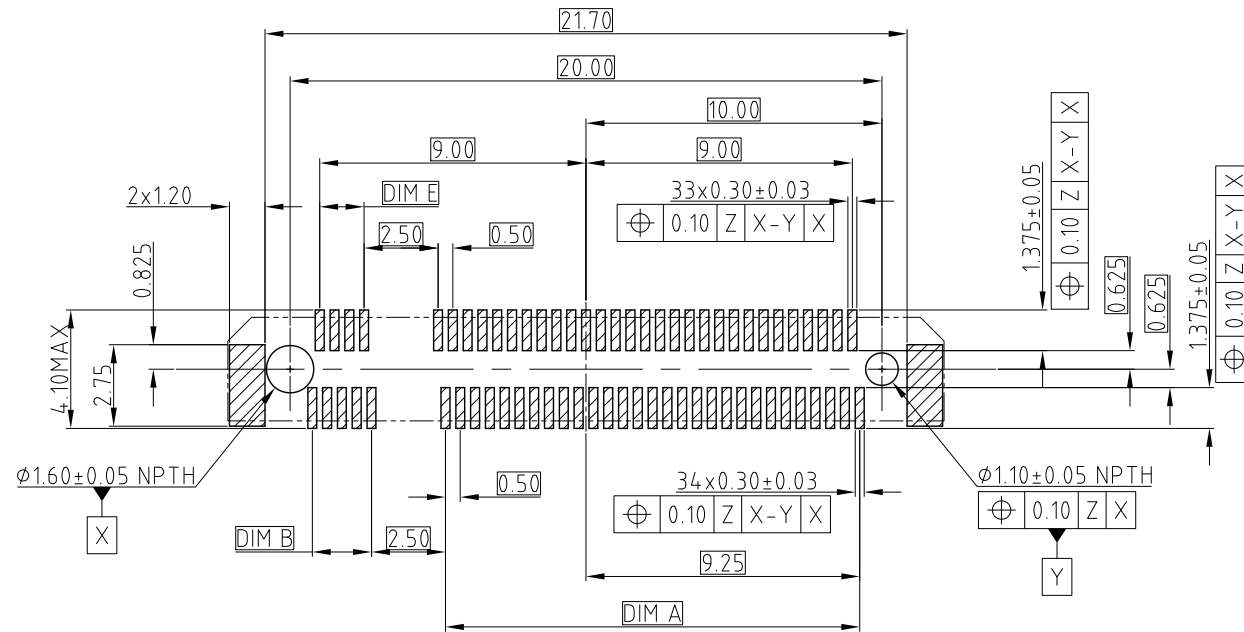
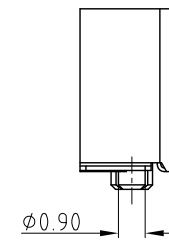
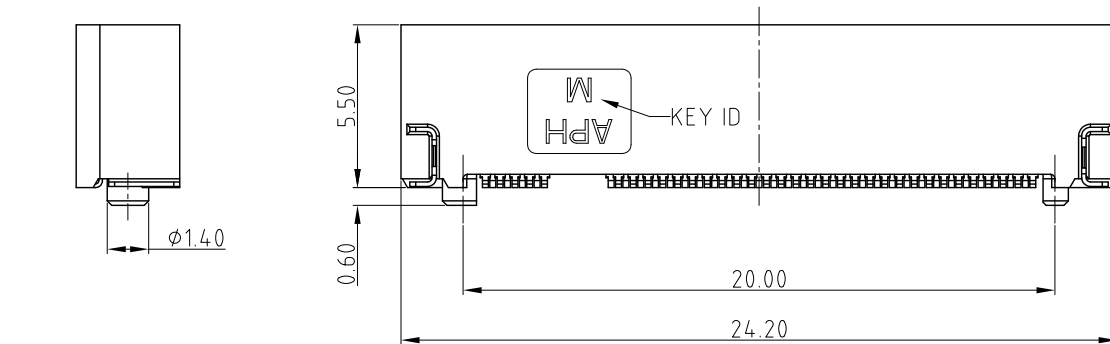
- MATERIAL:
PLASTIC: LCP, UL 94V-0, BLACK
CONTACT: COPPER ALLOY
BOARD LOCK: ALLOY
- FINISHED:
CONTACT AREA: SEE P/N SYSTEM
SOLDER AREA: GOLD FLASH
BOARD LOCK: TIN PLATING 2.54um MIN
UNDERPLATED: NI PLATING 1.27um MIN
- ELECTRICAL PERFORMANCE:
3.1 CURRENT RATING: 0.5A PER PIN
3.2 DIELECTRIC STRENGTH: 300V AC FOR 1 MINUTE
3.3 INSULATION RESISTANCE: 500MΩ MIN
3.4 CONTACT RESISTANCE: 55mΩ MAX
3.5 OPERATION TEMPERATURE: -40°C TO +80°C
- DIMENSIONING SHALL BE INTERPRETED PER ASME Y14.5M 1994
- MATERIAL SHOULD BE FULFILLED AMPHENOL SPEC# S-SN-002 FOR HALOGEN FREE PRODUCTS, ALSO NEED TO MEET # S-SN-004

ORDER P/N SYSTEM:

MDT350X0X001VT

CONNECTOR KEY ID PLATING

| | | |
|-----------|------------|------------------------------|
| A - KEY A | TOOLED | 01 0.76 MICRONS GOLD PLATING |
| B - KEY B | TOOLED | 02 0.38 MICRONS GOLD PLATING |
| E - KEY E | NOT TOOLED | 03 GOLD FLASH |
| M - KEY M | TOOLED | |
| ... | | |



RECOMMENDED PCB OUTLINE
TOLERANCE: ±0.05
DATUM Z: PCB SOLDER SURFACE

| | | | | | | |
|--------|-------|-------|-------|--------|-------|--------|
| M | 14.0 | 2.0 | 1.375 | 6.125 | 1.50 | |
| E | 5.5 | 10.5 | | -2.625 | 10.50 | |
| B | 2.5 | 13.5 | 1.125 | -5.625 | 13.50 | |
| A | 1.5 | 14.5 | | -6.625 | 14.50 | |
| KEY ID | DIM.A | DIM.B | DIM.C | DIM.D | DIM.E | REMARK |

| UNLESS OTHERWISE SPECIFIED TOLERANCES | | APPROVAL | | DATE | |
|---------------------------------------|--------|--------------------|-----------------------------|-------------|------------------|
| U.S. | METRIC | DRAWN | Yunx.liu | May.18,2018 | |
| .X | +/- | CHECKED | Ly.yi | May.18,2018 | |
| .XX | +/- | APPROVED | | | |
| .XXX | +/- | DRAWING FILE : | DRAWING\M.2\CMDT350M0X001VT | | |
| FRACTIONS | +/- | REMOVE SHARP EDGES | ANGLE OF PROJECTION | | |
| ANGLES | +/- | DIMENSIONS | | | |
| | | U.S. | INCHES | SIZE | DRAWING NO. |
| | | (METRIC) | (MM) | A3 | C MDT350X0X001VT |
| | | | | SCALE | NONE |
| | | | | | SHEET 1 OF 1 |

| | | |
|---------------------------------|------------------|--------------|
| Amphenol | | |
| TITLE | | |
| VERTICAL M.2 MINI PCIe CONECTOR | | |
| SIZE | DRAWING NO. | REV. |
| A3 | C MDT350X0X001VT | 2 |
| SCALE | NONE | SHEET 1 OF 1 |

X-ON Electronics

Largest Supplier of Electrical and Electronic Components

Click to view similar products for [DIMM Connectors](#) category:

Click to view products by [Amphenol](#) manufacturer:

Other Similar products are found below :

[1-1932649-2](#) [1-1761024-0](#) [2309411-5](#) [10116658-252ASLF](#) [5390471-1](#) [2309413-3](#) [78507-0061](#) [KIT-SODIMM-1X16GB/01](#) [10086891-052TSLF](#) [10079192-11102LF](#) [10116658-152FSLF](#) [10129206-0011113LF](#) [1-2308107-0](#) [2013310-1](#) [2013289-1](#) [390111-1](#) [390112-1](#) [2309413-1](#) [2309407-1](#) [2309414-1](#) [10081530-12208LF](#) [151080-0001](#) [78726-1004](#) [10005639-11107LF](#) [10005639-11109LF](#) [10005639-12207LF](#) [10023061-10207LF](#) [10033853-252FSLF](#) [10033853-052ASLF](#) [10033853-052FSLF](#) [10033853-152FSLF](#) [10033854-052FSLF](#) [10034542-10002LF](#) [10037402-12207LF](#) [10081530-11107LF](#) [10081530-12207LF](#) [10081530-12218LF](#) [10124632-0030001LF](#) [10124806-01006LF](#) [59354-052FSLF](#) [59355-052FSLF](#) [DDR4288S0211TF](#) [DDR4288S0511H](#) [DDR4288S0511TF](#) [DDR4288V0123TF](#) [DDR4288V0213TF](#) [DDR502112001K](#) [DDR504111002KQ](#) [296406200101856+](#) [MM80-204B1-1R](#)