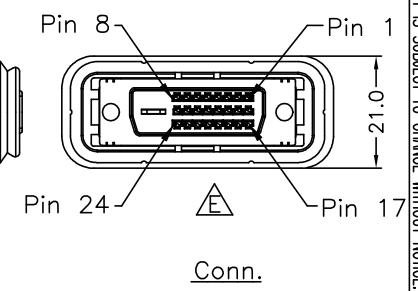
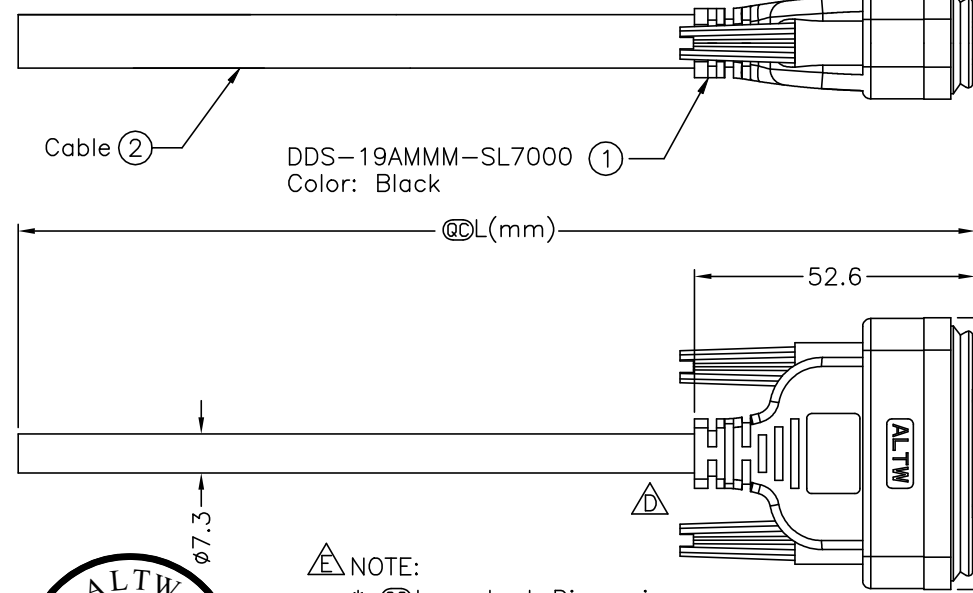


REV.	ECN NO.	DATE	SIGN	DESCRIPTION
C	LEN-780057	2007/08/02	Jill	Modify Pin Out
D	LEN1770030~32	2017/06/30	Ruru	Change Logo & SR
E	C200966	2020/06/30	Ruru	△ X3

Pin No.	Wire Color	Wire Type
24	White	2
23	Blue	
22	Drain	
21		
20		3
19	Drain	
18	Red	
17	White	
16	White	4
15	Orange	
14	Yellow	
13		
12		2
11	Drain	
10	Green	
9	White	
8		4
7	Purple	
6	Red	
5		
4		2
3	Drain	
2	Brown	
1	White	
Conn.	Wire Color	Wire Type



△ NOTE:

- * @L Important Dimension
- * Waterproof Rate: IP67, Unmated
- * Housing: Thermoplastic, Black
- * Pin: Copper Alloy, Gold Plated
- * Gasket: Rubber, Black
- * SCREW: Steel, Nickel Plated
- * Cable: UL20276 (1P*28#+D+AL+MYLAR)*
4C+(1P+3C)*28#+AL+B, Black, OD=7.3mm
- * Cable Length Tolerance: 1M~5M±5%mm,

△ @ * DVI CONN.的 金屬殼與銅箔及Braid 需做導通測試且能導通

DDS-19AMMM-SL7AXX
 XX:01-05Meters
 01:01Meter
 02:02Meters
 :
 :
 05:05Meters
 Cable Length (L):01~05Meters

UNIT:mm		TITLE DVI, DVI-D SINGLE, 19P, CABLE W/SR M, M, MOLDING, SCREW
TOLERANCE ±0.5 mm	SCALE Free	SHEET 1 OF 1
REV. E	SIZE A4	@ :Inspection Item

Amphenol LTW
 安費諾亮泰企業股份有限公司

ITEM NO	DRAWN BY Ruru	DATE 2017/06/30
DWG NO DDS-19AMMM-SL7AXX	CHECKED BY Rita	DATE 2017/06/30
CUSTOMER ALTW	APPROVED BY Max	DATE 2017/06/30

THIS DOCUMENT IS SUBJECT TO CHANGE WITHOUT NOTICE. IT IS CONFIDENTIAL AND A PROPERTY OF Amphenol LTW. DISCLOSURE TO THIRD PARTY HAS TO BE AUTHORIZED BY Amphenol LTW.

X-ON Electronics

Largest Supplier of Electrical and Electronic Components

Click to view similar products for [Audio Cables](#) / [Video Cables](#) / [RCA Cables](#) category:

Click to view products by [Amphenol](#) manufacturer:

Other Similar products are found below :

[59384500100E](#) [RCA10RCA](#) [DB25M05DB25MY](#) [DB25M10DB25MY](#) [DB25M10XLRMXLRFY](#) [1-3737-600-3216](#) [15AK25X](#) [CA19](#) [CA20](#)
[CAG34](#) [25FK25](#) [LF3BLX](#) [30-513](#) [28-511-0](#) [30-419](#) [30AR30](#) [30AK30](#) [30AN30](#) [RCA05RCA](#) [RCA05RCAB](#) [RCA05TS](#) [RCA10RCAB](#)
[420001400-3](#) [426058900-3](#) [427493000-3](#) [49152A-010-S2](#) [TT6RX](#) [TT7BKX](#) [TT93602](#) [32-3766](#) [32HR07284X](#) [CA25B](#) [CA39](#)
[DB25M02XLRMXLRFY](#) [LF1BKX](#) [LF3RX](#) [49442 010S2](#) [DVI-I-VGA/DVI-D-CBL-MATRIX](#) [VMP3YX](#) [VMP2YX](#) [TT746](#) [TT744](#) [CN13B](#)
[MDC4P13](#) [MDC8P53](#) [LF4GNX](#) [LF2GYX](#) [426494200-3](#) [49153A 010S2](#) [LF1RX](#)