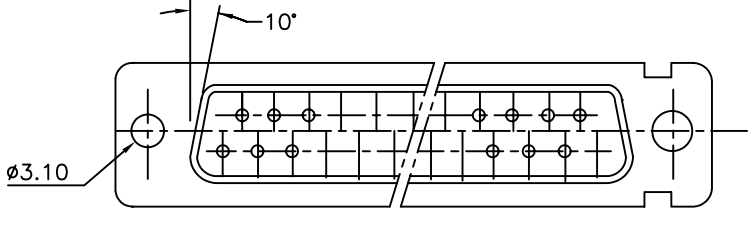
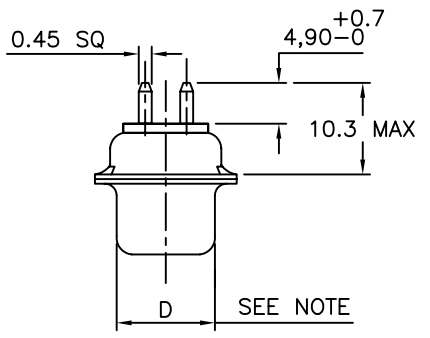
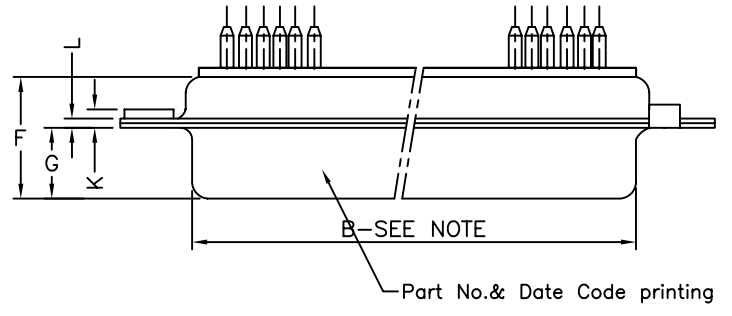
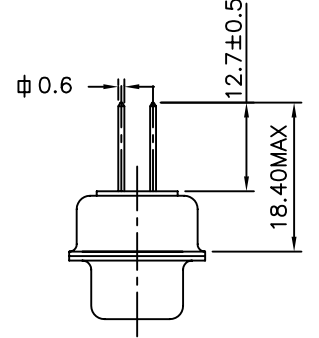


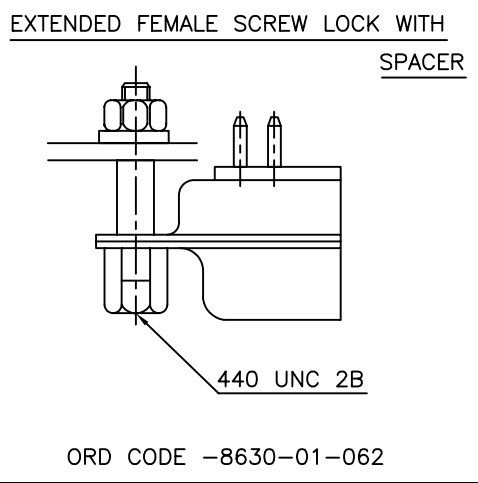
LAY OUT OF 50P CONNECTOR



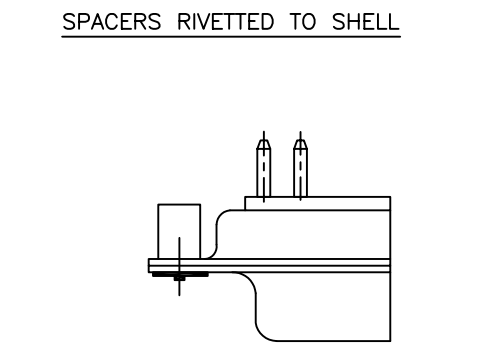
VIEW OF MATING FACE



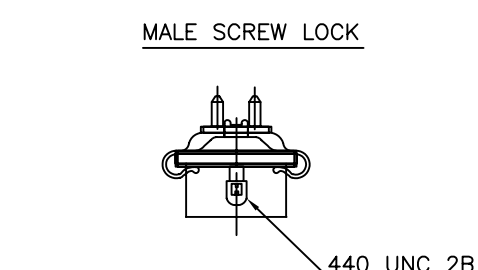
WIRE WRAP CODE 4



ORD CODE -8630-01-062



PREFIX:- S



ORD CODE:-  
8630-05( E.A.B.C.)  
8630-03 D SHELL FEMALE  
8630-15 D SHELL MALE  
8630-04 E,A,B,C SHELL WITH METAL HOOD  
FOR 440 UNC 2A THREADED ADD UNC TO THE CORRESPONDING ORD. CODE.

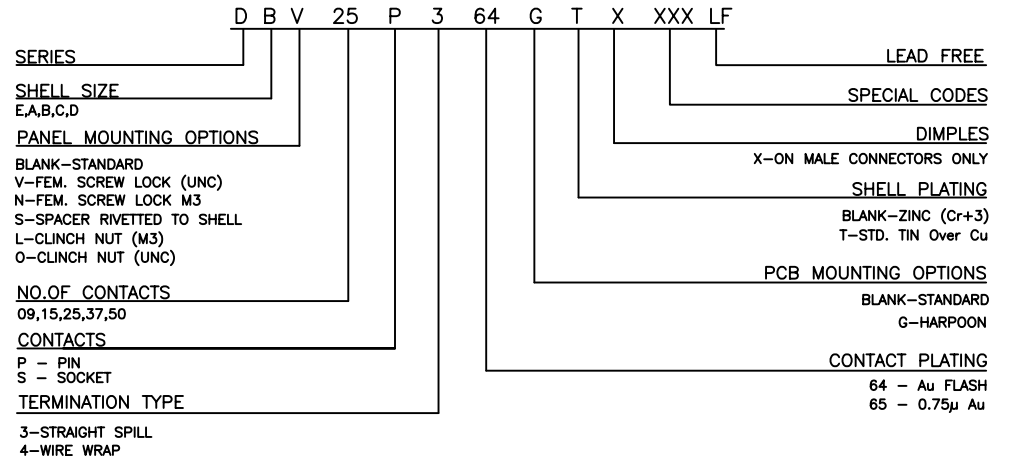
50	P	66.65	52.68	61.11	11.08	14.99	11.09	5.85	55.07	13.31	1.50	1.0
	S	66.65	52.30	61.11	10.62	14.99	11.21	6.05	55.07	13.31	1.10	0.8
37	P	68.94	55.30	63.50	8.23	12.17	11.09	5.85	57.45	10.46	1.50	1.0
	S	68.94	54.71	63.50	7.77	12.17	11.21	6.05	57.45	10.46	1.10	0.8
25	P	52.65	38.84	47.04	8.23	12.17	11.07	5.85	41.02	10.46	1.10	0.8
	S	52.65	38.25	47.04	7.77	12.17	11.21	6.05	41.02	10.46	1.10	0.8
15	P	38.76	25.12	33.32	8.23	12.17	10.99	5.85	27.25	10.46	1.10	0.8
	S	38.76	24.54	33.32	7.77	12.17	11.21	6.05	27.25	10.46	1.10	0.8
09	P	30.43	16.79	24.99	8.23	12.17	10.99	5.85	19.02	10.46	1.10	0.8
	S	30.43	16.21	24.99	7.77	12.17	11.21	6.05	19.02	10.46	1.10	0.8
SHELL SIZE		A <sup>+0.76</sup>	B <sup>+0.25</sup>	C <sup>+0.12</sup>	D <sup>+0.25</sup>	E <sup>+0.76</sup>	F <sup>MAX</sup>	G <sup>+0.15</sup>	H <sup>+0.51</sup>	J <sup>+0.51</sup>	K <sup>±0.2</sup>	L <sup>+0.22</sup>

NOTE: INSIDE DIMENSION OF MALE AND OUTSIDE DIMENSION OF THE FEMALE CONNETOR

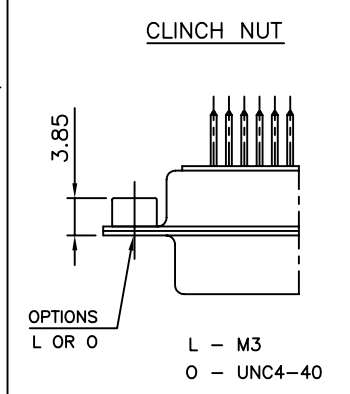
TECHNICAL SPECIFICATIONS

- SHELLS : TIN/ZINC PLATED STEEL
- CONTACTS DIA ON ACTIVE AREA : Ø1 MM.
- CONTACTS MATERIAL : COPPER ALLOY
- CONTACT PLATING : GOLD OVER NICKEL (ACTIVE ZONE)  
TIN OVER NICKEL (TERMINATION ZONE)
- FOR LEAD FREE PLATING : 2µ MIN. TIN TOP OVER  
1.27µ MIN.NICKEL UNDER PLATE(ON TERMINATION ZONE)
- INSULATOR MATERIAL : SELF EXTINGUISHING THERMOPLASTIC-  
TO UL CLASS 94 V0  
THE HOUSING WILL WITHSTAND EXPOSURE TO 260-265°C  
IF WE USE PROTECTIVE ADHESIVE (type Kapton or Teflon)  
OR PROTECTIVE METALLIC DEVICE
- OPERATING TEMPERATURE : -55°C +125°C
- OPERATING CURRENT : 5 A PER CONTACT
- CONTACT RESISTANCE : ≤10m Ω
- INSULATION RESISTANCE : >5000 M Ω
- MAXIMUM VOLTAGE : 1000 V.r.m.s
- MECHANICAL ENDURANCE : 500 MATINGS FOR ≥0.75µ GOLD PLATING  
200 MATINGS FOR ≤0.40µ GOLD PLATING
- DAMP HEAT : 56 DAYS FOR ≥0.75µ GOLD PLATING  
21 DAYS FOR ≤0.40µ GOLD PLATING

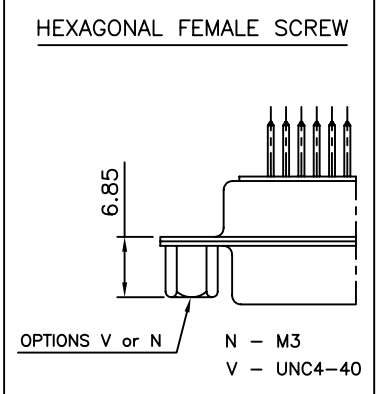
ORDERING INFORMATION



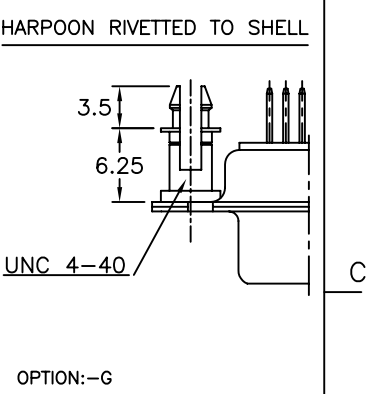
<b>SERIES</b>	D B V	<b>LEAD FREE</b>	LF
<b>SHELL SIZE</b> E,A,B,C,D	25	<b>SPECIAL CODES</b>	
<b>PANEL MOUNTING OPTIONS</b>	P 3	<b>DIMPLES</b>	X-ON MALE CONNECTORS ONLY
BLANK-STANDARD		<b>SHELL PLATING</b>	
V-FEM. SCREW LOCK (UNC)		BLANK-ZINC (Cr+3)	
N-FEM. SCREW LOCK M3		T-STD. TIN Over Cu	
S-SPACER RIVETTED TO SHELL		<b>PCB MOUNTING OPTIONS</b>	
L-CLINCH NUT (M3)		BLANK-STANDARD	
O-CLINCH NUT (UNC)		G-HARPOON	
<b>NO.OF CONTACTS</b>	64	<b>CONTACT PLATING</b>	
09,15,25,37,50		64 - Au FLASH	
<b>CONTACTS</b>	G T X	65 - 0.75µ Au	
P - PIN			
S - SOCKET			
<b>TERMINATION TYPE</b>	XXX		
3-STRAIGHT SPILL			
4-WIRE WRAP			



CLINCH NUT



HEXAGONAL FEMALE SCREW



HARPOON RIVETTED TO SHELL

mat'l. code	SEE NOTE 4	surface	ISO 1302	tolerance	ISO 406 ISO 1101	projection	product family
ltr	ecn no	dr	date	tolerances unless otherwise specified	angles	linear	title
D	106-0074	GVJ	2006/06/08				D- SUB S/S W/W CONNECTOR
E	109-0179	AMR	2009/09/04				( WITH ASSEMBLY OPTIONS)
F	109-0195	AMR	2009/09/04				
sheet index	revision	F		dr	Mini K Vandanath	1999/03/20	dwg no
	sheet	1		enr	George V Joseph	1999/03/20	sheet 1 of 1
				chr	Abhilash M R	2009/09/04	size
				appd	Sudhir Varma	2009/09/04	A3
							type
							Product Customer Drawing

"This LF product meets European Union Directives and other country regulations as described in GS-22-008"

The housing will withstand exposure to 260°C peak temperature for 3.5 seconds in a wave solder application with a 1.6mm minimum thick circuit board.

Packaging as per GS-14-920

## X-ON Electronics

Largest Supplier of Electrical and Electronic Components

*Click to view similar products for [Power to the Board](#) category:*

*Click to view products by [Amphenol](#) manufacturer:*

Other Similar products are found below :

[6643429-1](#) [6766604-1](#) [120959-1](#) [1393557-2](#) [1393532-2](#) [1393532-3](#) [1393532-4](#) [1393557-1](#) [1744132-7](#) [1892109-1](#) [1-6450850-6](#) [1-6450869-6](#)  
[1645526-2](#) [2005243-2](#) [377-0020-11130](#) [MC116N](#) [TE34-12-16P-F0](#) [51700-10201602AALF](#) [51970-004](#) [5-6450830-6](#) [4-6600333-3](#)  
[10125416-4050LF](#) [10130248-005LF](#) [6600320-3](#) [1888123-2](#) [701-15-02109](#) [6450810-7](#) [46437-1112](#) [6450813-2](#) [6450842-4](#) [10108877-](#)  
[R24403SLF](#) [1645523-1](#) [PSS-06-01-T-S](#) [FWS-03-04-T-S](#) [FWS-05-01-T-S](#) [51720-10206002AALF](#) [QE-POL-KEY](#) [FWS-08-01-T-S](#) [698-0075-](#)  
[04](#) [C10-642216-56P](#) [6651670-1](#) [MC120N](#) [2-1600788-6](#) [1761385-3](#) [46562-1175](#) [2221861-1](#) [HFWS-10-05-TM-S](#) [FWS-13-04-T-S-RA](#)  
[MC422N9](#) [MC4006D](#)