

REFERENCE SPECIFICATIONS

-NFC 93425 (in compliance with HE 507)

PHYSICAL CHARACTERISTICS

- INSULATOR MATERIAL: THERMOPLASTIC UL94 V-0
- ACCESSORIES: STAINLESS STEEL or BRASS, cadmium plated yellow passivation
- SHELLS: STEEL, cadmium plated yellow passivation

ELECTRICAL CHARACTERISTICS

- CONTACT/CONTACT : >=1000 V
- CONTACT/GROUND : >=1200 V
- INSULATION RESISTANCE: >=5000 MOhms

ENVIRONMENTAL CHARACTERISTICS

- CLIMATIC CATEGORY: 55/125/56
- TEMPERATURE RANGE -55°C TO +125°C
- DAMP HEAT STEADY STATE 56 DAYS
- SALT SPRAY 48 HOURS

DBMF5W5PN

Series

Shell size: **E A B C**
see sheet 2

Front accessory definition
see sheet 2

- Blank** :without accessory
- L** :threaded insert M3
- O** :threaded insert UNC 4-40
- V** :female screw UNC 4-40
- I** :female screw M3
- F** :floating mounting

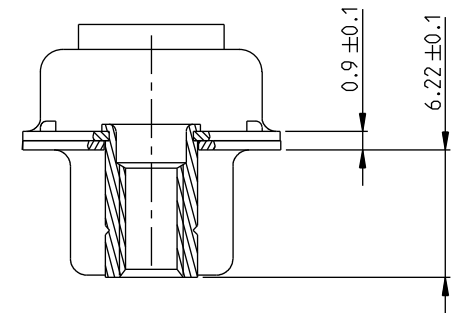
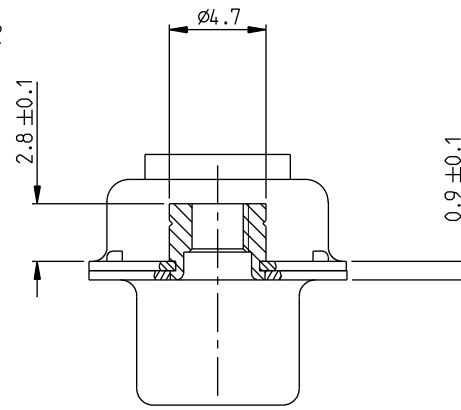
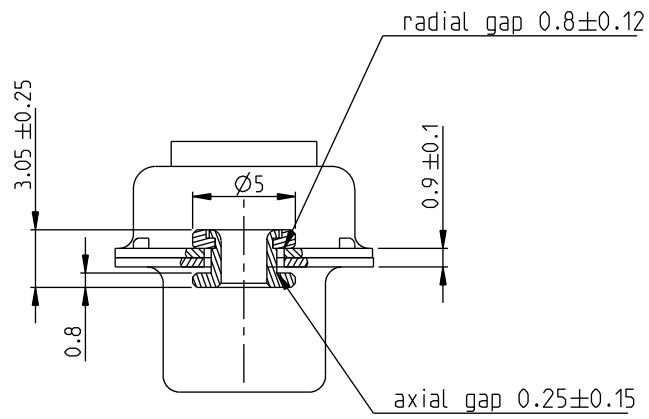
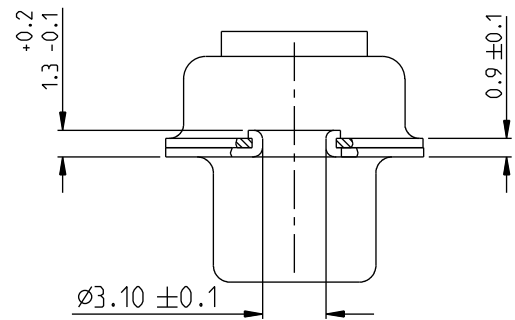
Contacts
Layout of contacts (see sheet 3)

- P** :Pin
- N** :mandatoy indication for HE 507 series



| rev | ecn no | dr | date |
|-----|-----------|-----|------------|
| A | LS06-0174 | MPE | 2006/11/14 |
| B | LS07-0273 | MPE | 2007/10/30 |
| C | F10-0072 | LSA | 2010/07/20 |
| - | - | - | - |
| - | - | - | - |
| - | - | - | - |

| | | | | | | | |
|--------------------|----------|---------------------------------------|----------------|--------------------------|----------|------------------------|----------|
| www.fciconnect.com | | surface ISO 1302 | - | tolerance std ISO 406 | ISO 1101 | projection ISO 1101 | mm |
| | | TOLERANCES UNLESS OTHERWISE SPECIFIED | | | | | |
| Dr | M PESSON | 2006/11/14 | ANGULAR | 0.X | ±0.3 | size | A2 |
| Eng | P LEGARE | 2006/11/14 | LINEAR | 0.XX | ±0.1 | Scale | 2:1 |
| Chr | P LEGARE | 2006/11/14 | 0° ±2° | 0.XXX | ±0.05 | ECN | F10-0072 |
| Appr | P LEGARE | 2006/11/14 | Product family | - | Spec ref | - | - |
| FCI | | title | | SUB MALE DMW | | dwg no | |
| | | full power without contact | | C01-8637-1732 | | Rev. | |
| catalog no | | CUSTOMER | | sheet 1 of 4 | | | |



| | | | | |
|-----------------|----------------------|----------------------------|--|--|
| FRONT ACCESSORY | Blank without | F Floating mounting | L insert M3 O insert UNC 4.40 | V Female screw UNC 4.40 I Female screw M3 |
|-----------------|----------------------|----------------------------|--|--|

| PART NUMBER | FRONT ACCESSORY |
|-------------|-----------------------|
| D*M*W*PN | without |
| D*ML*W*PN | insert M3 |
| D*MO*W*PN | insert UNC 4-40 |
| D*MV*W*PN | female screw UNC 4-40 |
| D*MI*W*PN | female screw M3 |
| D*MF*W*PN | floating mounting |

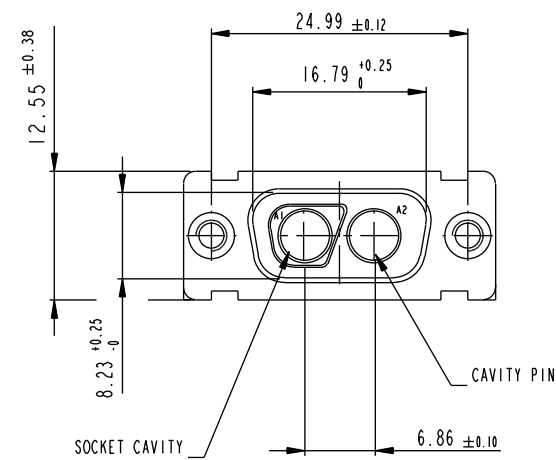
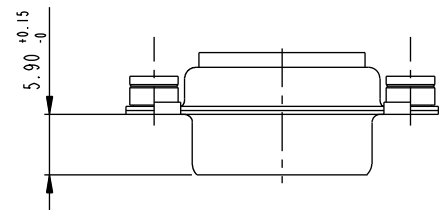
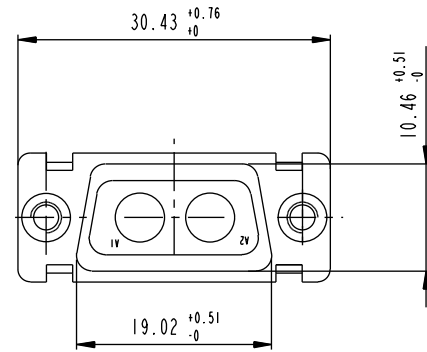
| | |
|------------|---------|
| shell size | LAYOUTS |
| * | xW x |
| E | 2V2 |
| A | 3V3 |
| A | 3W3 |
| B | 5W5 |
| C | 8W8 |

Copyright FCI.
FCI

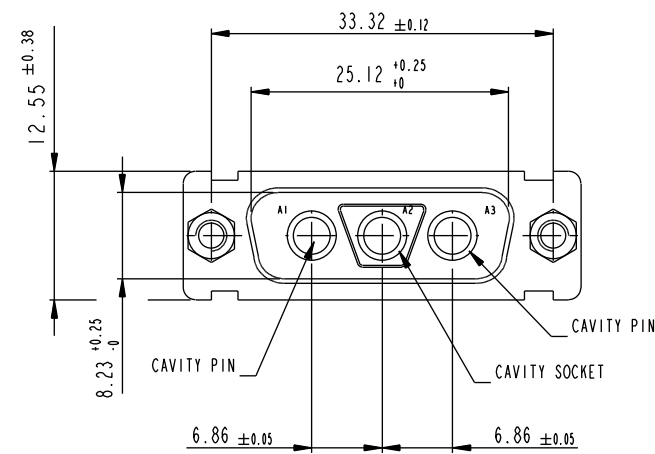
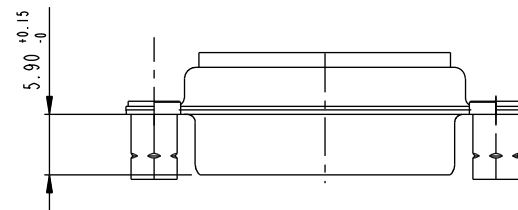
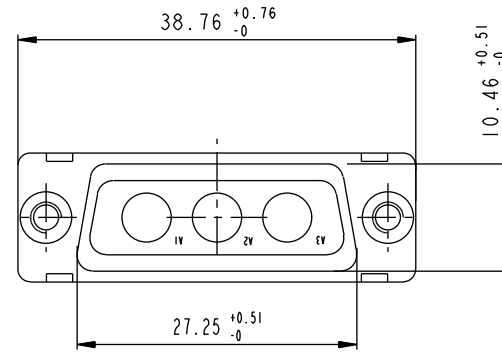
| | | | | | | | |
|---------------------------------------|----------|---------------------|----------------------------|--------------------------|---------------|------------------------|--------------|
| www.fciconnect.com | | surface ISO 1302 | - | tolerance std ISO 406 | ISO 1101 | projection ISO 1101 | mm |
| TOLERANCES UNLESS OTHERWISE SPECIFIED | | ANGULAR | | 0.X | ±0.3 | size | Scale |
| Dr | M PESSON | 2006/11/14 | LINEAR | 0.XX | ±0.1 | A2 | 2:1 |
| Eng | P LEGARE | 2006/11/14 | 0° ±2° | 0.XXX | ±0.05 | ECN | F10-0072 |
| Chr | P LEGARE | 2006/11/14 | Product family | - | | Spec ref | |
| Appr | P LEGARE | 2006/11/14 | title | | SUB MALE DMW | | Rev. |
| | | | full power without contact | | C01-8637-1732 | | C |
| | | | catalog no | | CUSTOMER | | sheet 2 of 4 |

SCALE: 4

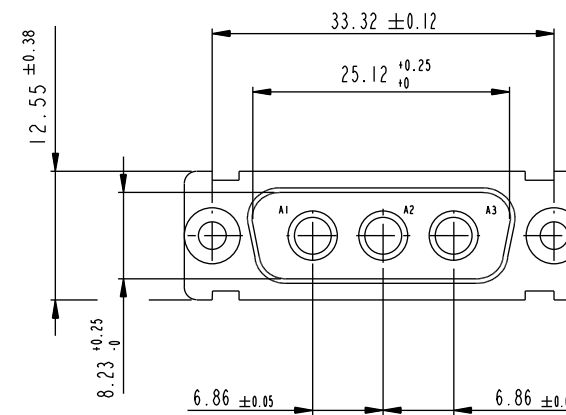
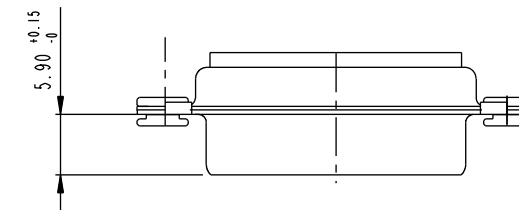
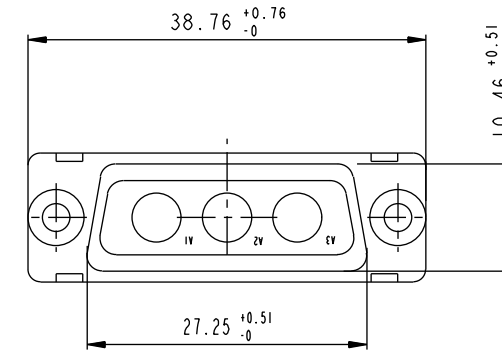
2V2



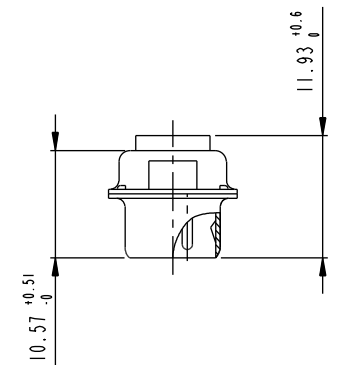
3V3



3W3



SIDE VIEW FOR LAYOUTS: E A B C



Copyright FCI.

| | | | | | |
|---------------------------------------|----------|---------------------|---|-----------------------------------|------------------|
| www.fciconnect.com | | surface ISO 1302 | - | tolerance std ISO 406 ISO 1101 | projection mm |
| TOLERANCES UNLESS OTHERWISE SPECIFIED | | ANGULAR | | 0.X ±0.3 | size A2 |
| Dr | M PESSON | 2006/11/14 | LINEAR | 0.XX ±0.1 | Scale 2:1 |
| Eng | P LEGARE | 2006/11/14 | 0° ±2° | 0.XXX ±0.05 | ECN F10-0072 |
| Chr | P LEGARE | 2006/11/14 | Product family | - | Spec ref |
| Appr | P LEGARE | 2006/11/14 | FCI title SUB MALE DMW full power without contact | | Rev. C |
| catalog no | | - | | dwg no C01-8637-1732 | sheet 3 of 4 |

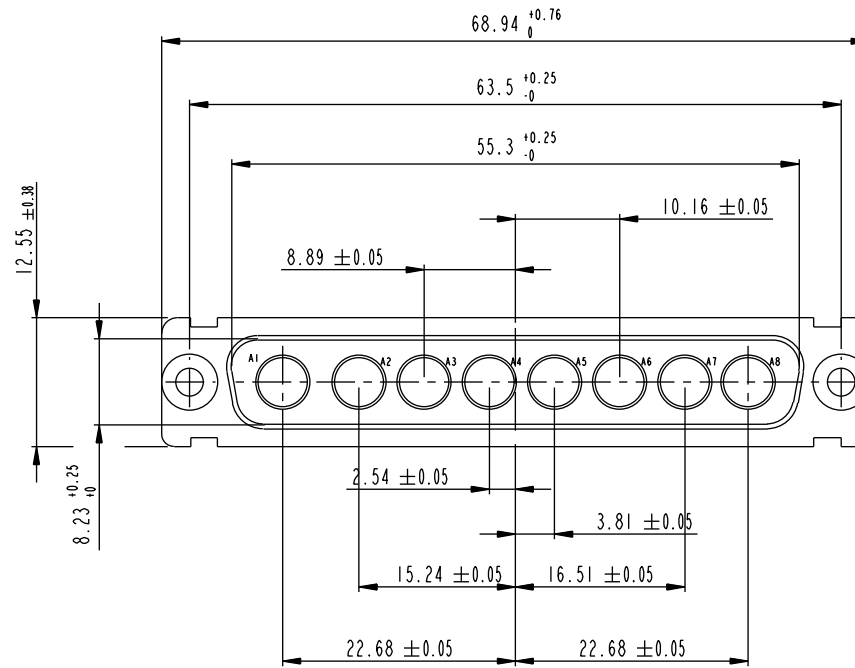
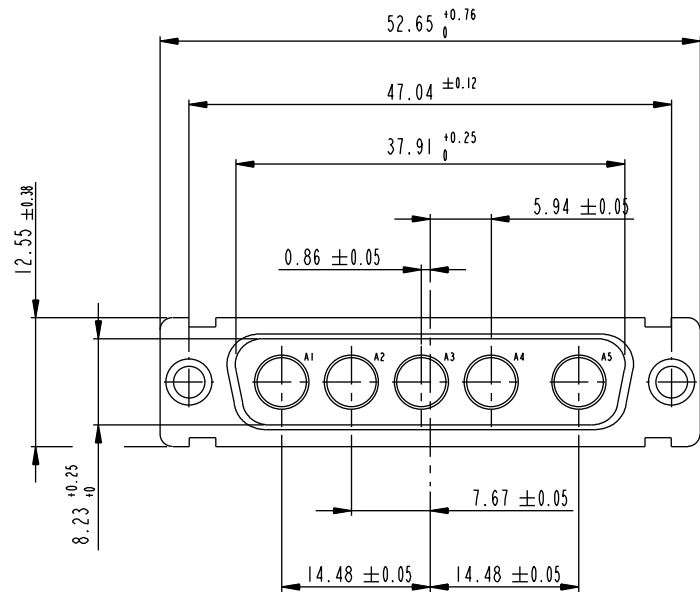
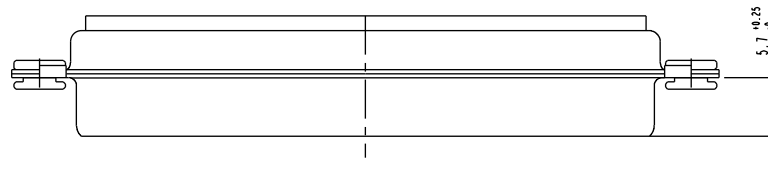
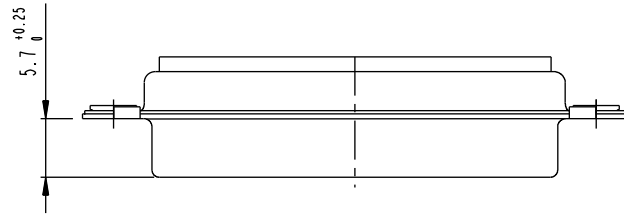
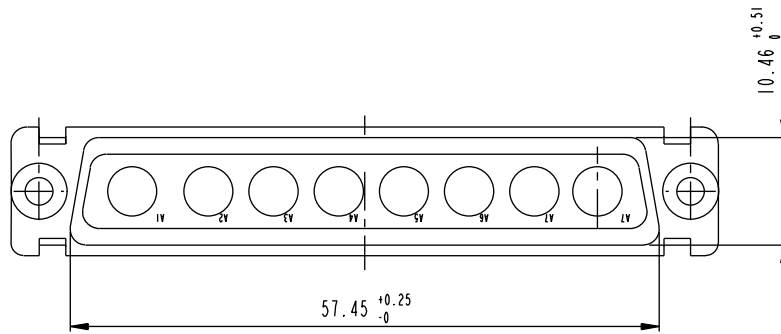
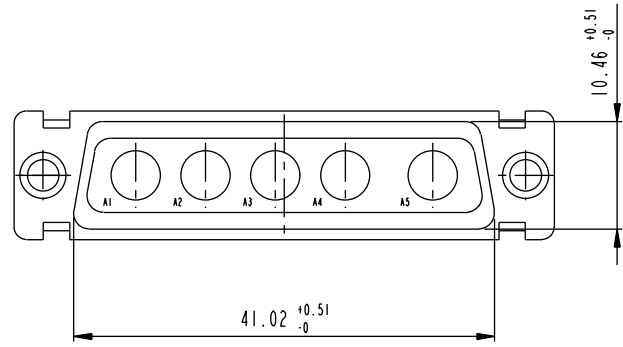
REV C - 2006-03-28

PDS: Rev :C

PDM: Rev: A US: Released Printed: Jun 18, 2015

5W5

8W8



Copyright FCI

| | | | | |
|---|----------|---------------------------------------|--------------------------------------|------------------|
| www.fciconnect.com | | surface ISO 1302 | tolerance std ISO 406 ISO 1101 | projection mm |
| | | TOLERANCES UNLESS OTHERWISE SPECIFIED | | |
| Dr | M PESSON | 2006/11/14 | ANGULAR | 0.X ±0.3 |
| Eng | P LEGARE | 2006/11/14 | LINEAR | 0.XX ±0.1 |
| Chr | P LEGARE | 2006/11/14 | 0° ±2° | 0.XXX ±0.05 |
| Appr | P LEGARE | 2006/11/14 | Product family | - Spec ref |
| FCI title SUB MALE DMW full power without contact | | dwg no C01-8637-1732 | | Rev. C |
| catalog no | | CUSTOMER | | sheet 4 of 4 |

X-ON Electronics

Largest Supplier of Electrical and Electronic Components

Click to view similar products for [D-Sub Standard Connectors](#) category:

Click to view products by [Amphenol](#) manufacturer:

Other Similar products are found below :

[DCM37S732N](#) [DAM15P500](#) [DEV09S364GTLF](#) [DEM09P032N](#) [DDM50P732N](#) [DAM15S332N](#) [173109-2218](#) [173109-2261](#) [173109-2468](#)
[173109-2466](#) [173109-2469](#) [173109-2436](#) [173109-2435](#) [56F706-005-LI](#) [56F711-015](#) [012-9507-004](#) [015-0341-000](#) [015-0372-005](#) [015-0372-](#)
[008](#) [015-8544-011](#) [017041-0005](#) [012-0515-000](#) [012-9507-034](#) [012-9507-114](#) [012-9534-001](#) [020745-0008](#) [609-25P](#) [M24308/2-23Z](#)
[M243082310F](#) [M243082410F](#) [M243082411F](#) [M24308/4-21](#) [CT0E20-8PS](#) [CT0U22-14PSA206](#) [CT1A18-11PSA206](#) [CT1E20-22SCAU-G9](#)
[CT1N36-5SC](#) [CT2-16S-17PS](#) [CT2-20-15PCAU](#) [CT2-24-12PS](#) [CT2-24-28PSF127A206](#) [CT2-32-9PC](#) [CT6F24-12PS](#) [CT6F9767-14-4-14S-](#)
[5PC](#) [CT7-18-10SC](#) [CT7-18-10SCAU](#) [CT7-18-12SCAU](#) [CT7-18-20PS](#) [CT9-16-12PS](#) [M83513/01-FC](#)