

REFERENCE SPECIFICATIONS

-NFC 93425 (in compliance with HE 507)

PHYSICAL CHARACTERISTICS

- INSULATOR MATERIAL: THERMOPLASTIC UL94 V-0
- ACCESSORIES: STAINLESS STEEL or BRASS, cadmium plated yellow passivation
- SHELLS: STEEL, cadmium plated yellow passivation

ELECTRICAL CHARACTERISTICS

- CONTACT/CONTACT : >=1000 V
- CONTACT/GROUND : >=1200 V
- INSULATION RESISTANCE: >=5000 MOhms

ENVIRONMENTAL CHARACTERISTICS

- CLIMATIC CATEGORY: 55/125/56
- TEMPERATURE RANGE -55°C TO +125°C
- DAMP HEAT STEADY STATE 56 DAYS
- SALT SPRAY 48 HOURS

# DBMF5W5SN

Series

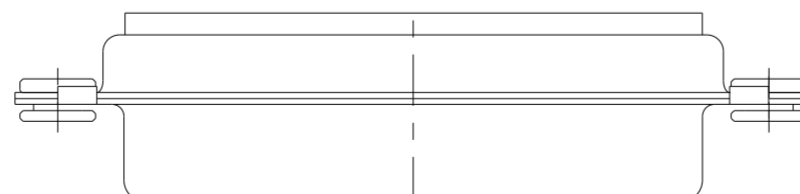
Shell size: **E A B C**  
see sheet 2

Front accessory definition  
see sheet 2

- Blank** :without accessory
- L** :threaded insert M3
- O** :threaded insert UNC 4-40
- V** :female screw UNC 4-40
- I** :female screw M3
- F** :floating mounting

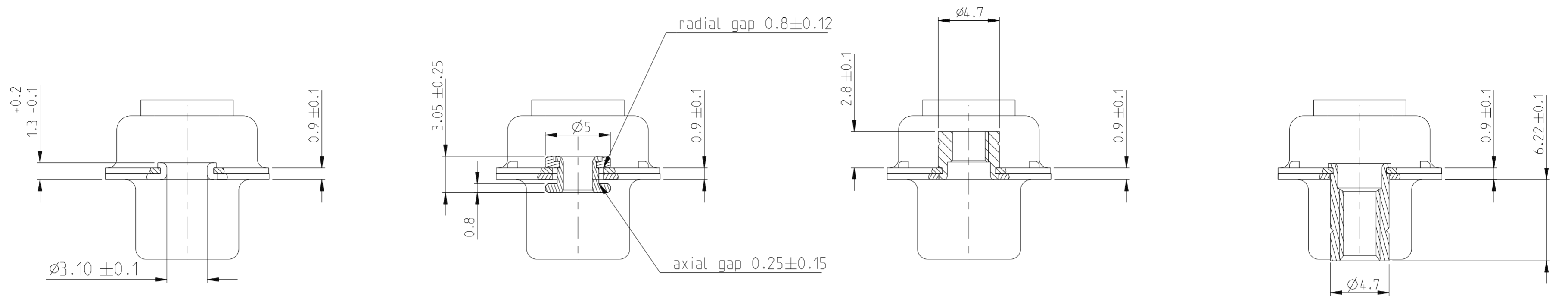
Contacts  
Layout of contacts (see sheet 3)

- S** :Socket
- N** :mandatory indication for HE 507 series



rev	ecn no	dr	date
A	LS06-0174	MPE	2006/11/14
B	LS07-0273	MPE	2007/10/30
C	F10-0072	LSA	2010/07/20
-	-	-	-
-	-	-	-
-	-	-	-
-	-	-	-
-	-	-	-

www.fciconnect.com		surface ISO 1302	-	tolerance std ISO 406	ISO 1101	projection ISO 1101	mm
		TOLERANCES UNLESS OTHERWISE SPECIFIED					
Dr	Pro Engineer 1	2015/06/14	ANGULAR	0.X	±0.3	size	Scale
Eng	Marty Glass	2015/06/16	LINEAR	0.XX	±0.1	A2	2:1
Chr	-	-	0° ±2°	0.XXX	±0.05	ECN	-
Appr	-	-	Product family	-	Spec ref	Released	-
FCJ		title		SUB FEMALE DMW		dwg no	Rev.
		full power without contact		C01-8637-1731C			C
catalog no		-Product - Customer Drw		sheet 1 of 4			



FRONT ACCESSORY	<b>Blank</b> without	<b>F</b> Floating mounting	<b>L</b> insert M3 <b>O</b> insert UNC 4.40	<b>V</b> Female screw UNC 4.40 <b>I</b> Female screw M3
-----------------	----------------------	----------------------------	--	--

PART NUMBER	FRONT ACCESSORY
D*M*W*SN	without
D*ML*W*SN	insert M3
D*MO*W*SN	insert UNC 4-40
D*MV*W*SN	female screw UNC 4-40
D*MI*W*SN	female screw M3
D*MF*W*SN	floating mounting

shell size LAYOUTS

*	xW x
E	2V2
A	3V3
A	3W3
B	5W5
C	8W8

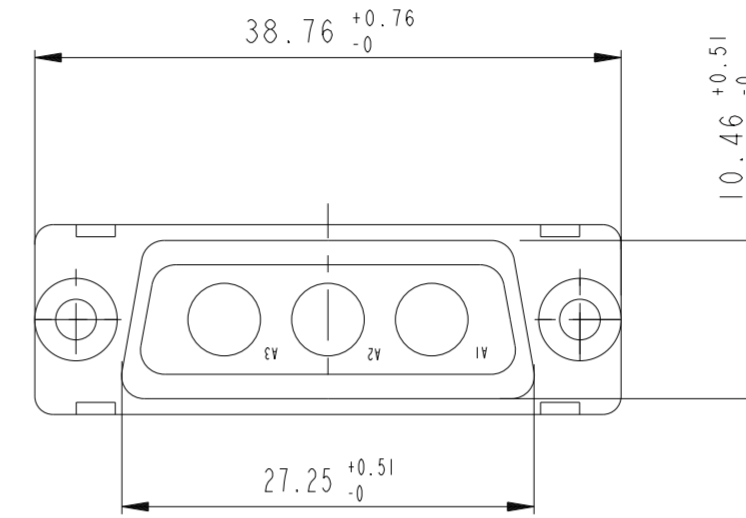
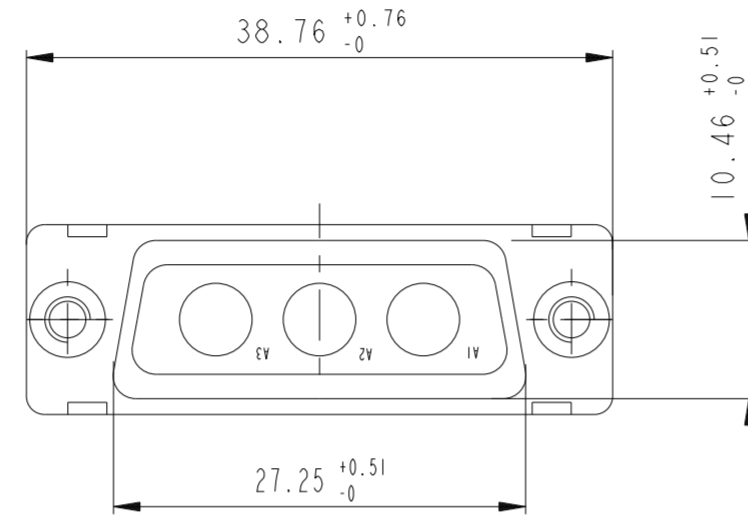
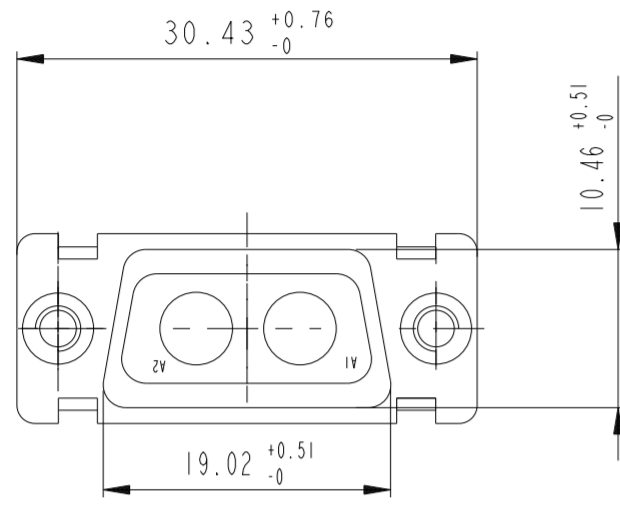
SCALE: 4

www.fciconnect.com		surface ISO 1302	-	tolerance std ISO 406	ISO 1101	projection	mm
TOLERANCES UNLESS OTHERWISE SPECIFIED							
Dr	Pro Engineer 1	2015/06/14	ANGULAR	0.X	±0.3	size	Scale
Eng	Marty Glass	2015/06/16	LINEAR	0.XX	±0.1	A2	4:1
Chr	-	-	0° ±2°	0.XXX	±0.05	ECN	-
Appr	-	-	Product family	-	Spec ref	Released	-
FCJ		title		SUB FEMALE DMW		dwg no	C01-8637-1731C
		full power without contact				Rev.	C
		catalog no		-Product - Customer Drw		sheet 2 of 4	

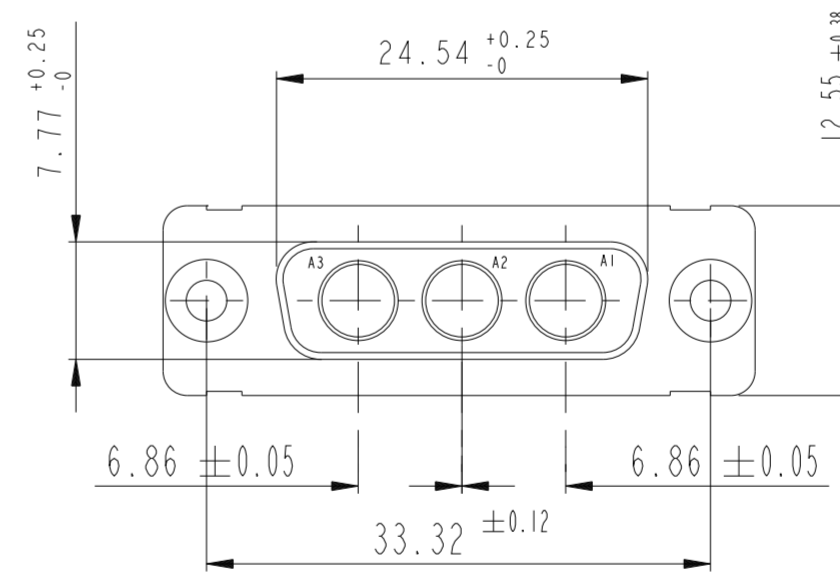
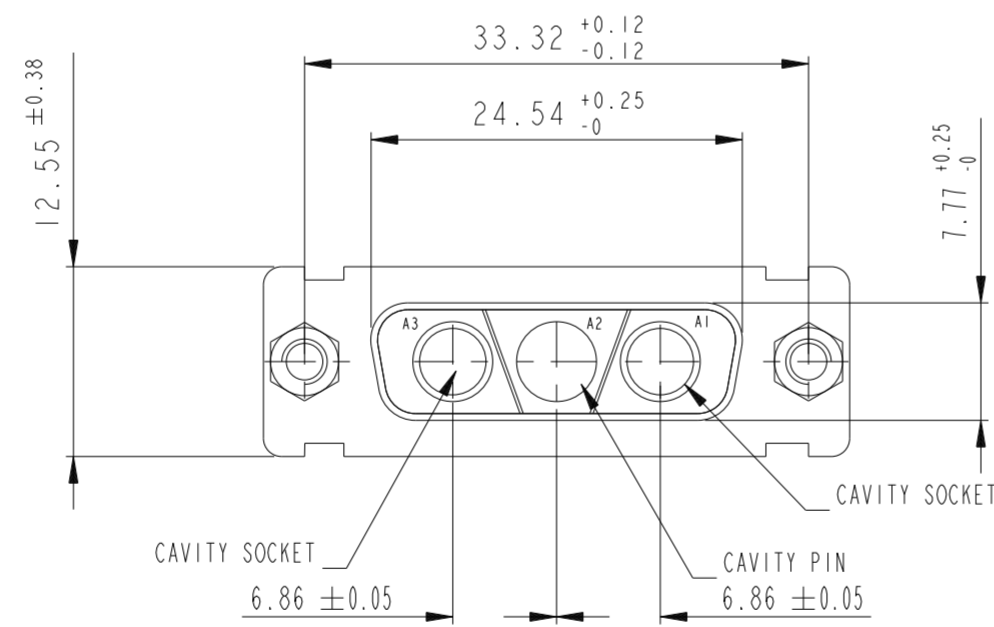
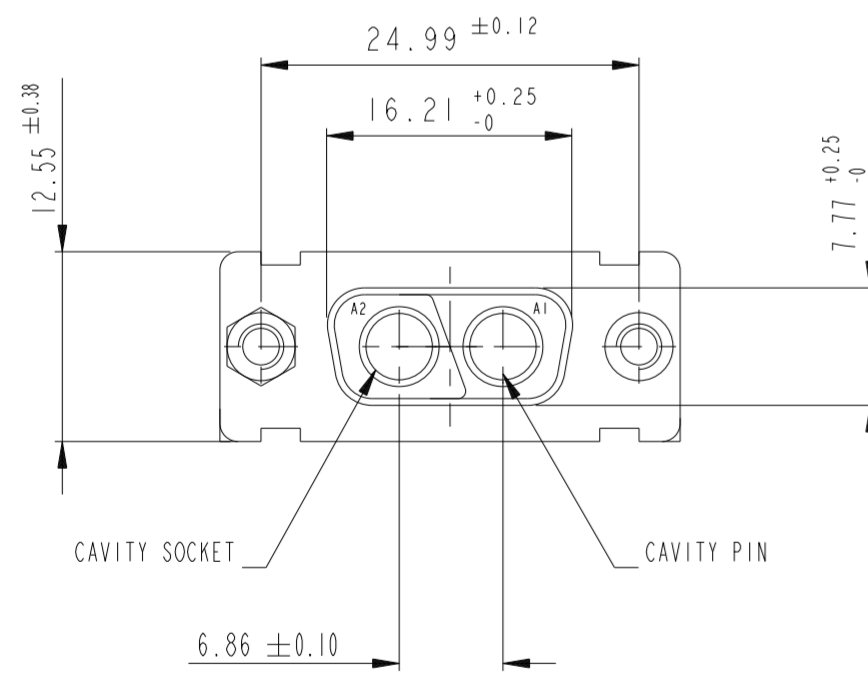
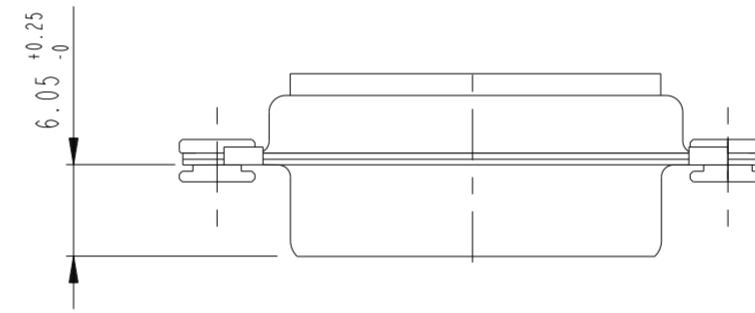
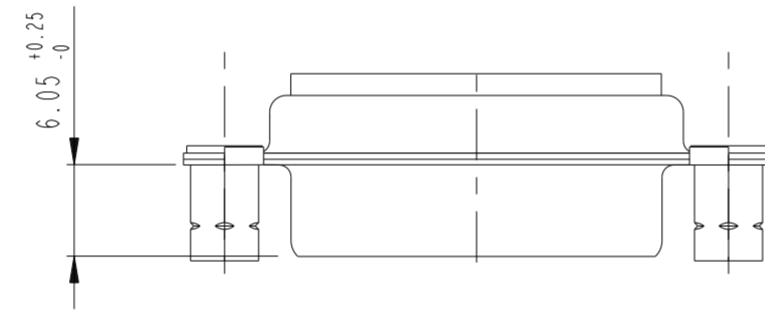
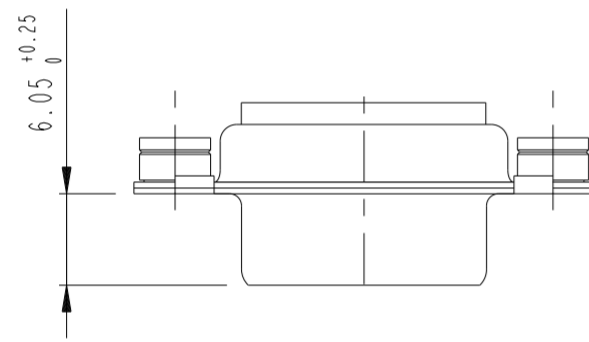
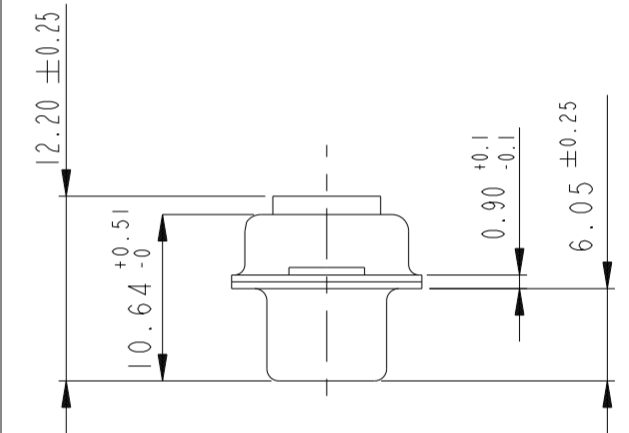
2V2

3V3

3W3



SIDE VIEW FOR LAYOUTS: E A B C



Copyright FCI.

www.fciconnect.com		surface ISO 1302	-	tolerance std ISO 406 ISO 1101	projection ISO 1101	mm
TOLERANCES UNLESS OTHERWISE SPECIFIED		ANGULAR		0.X ±0.3	size A2	Scale 2:1
Dr Pro Engineer 1 2015/06/14	Eng Marty Glass 2015/06/16	LINEAR		0.XX ±0.1	ECN	
Chr		0° ±2°		0.XXX ±0.05	Spec ref	Released
Product family						
Title SUB FEMALE DMW full power without contact		Dwg no C01-8637-1731C		Rev. C		
catalog no		Product - Customer		Dwg sheet 3 of 4		

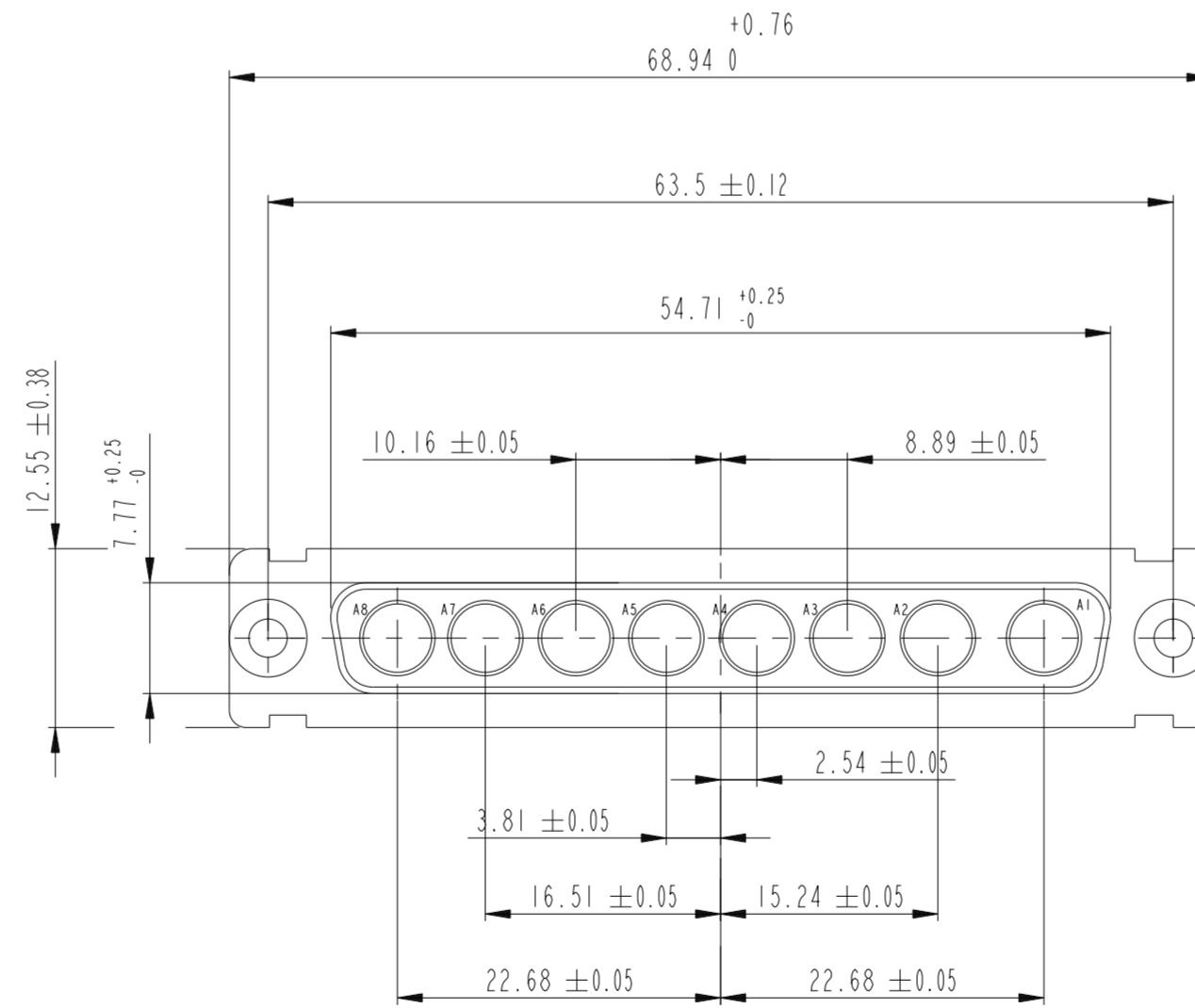
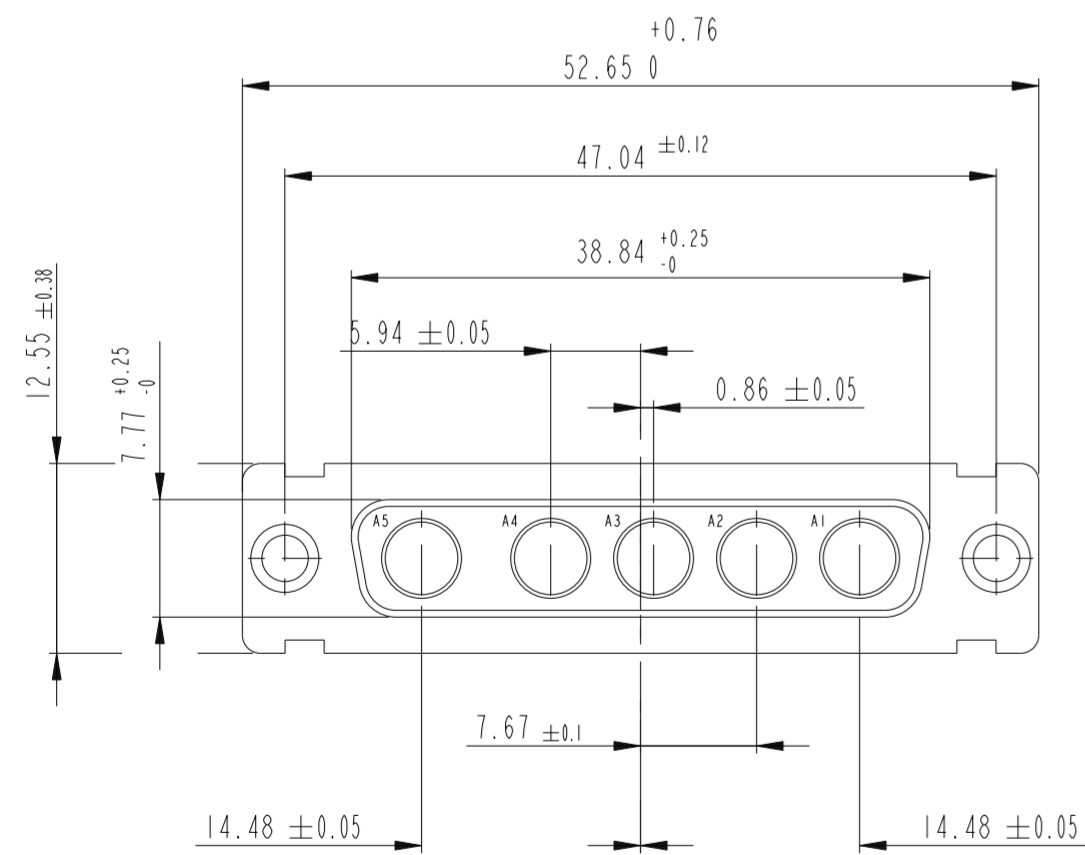
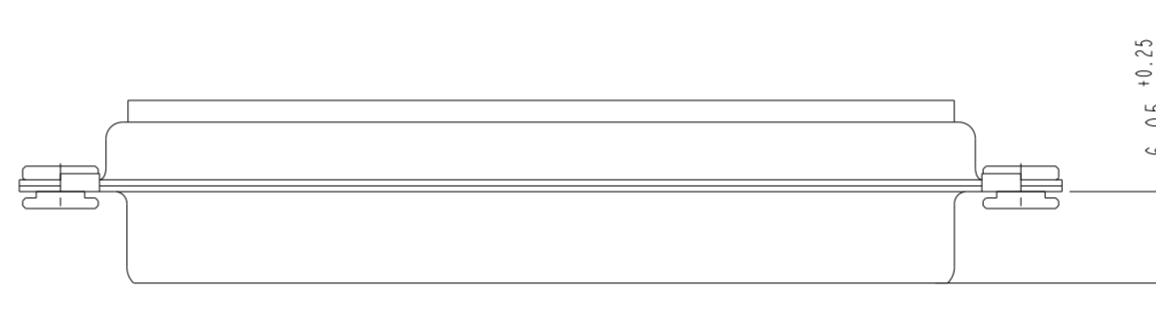
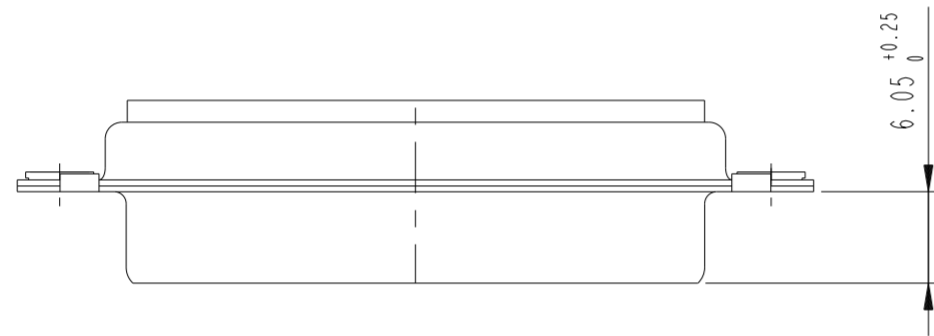
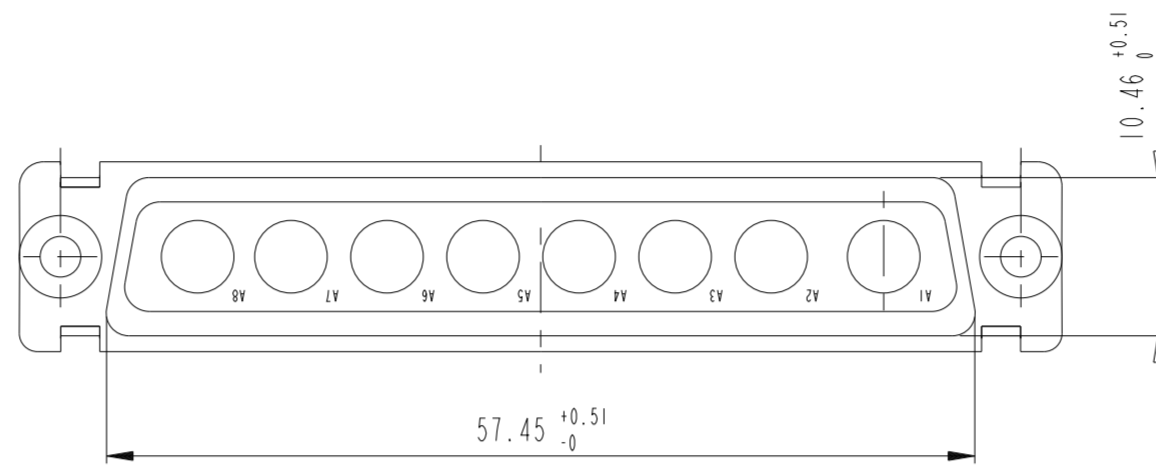
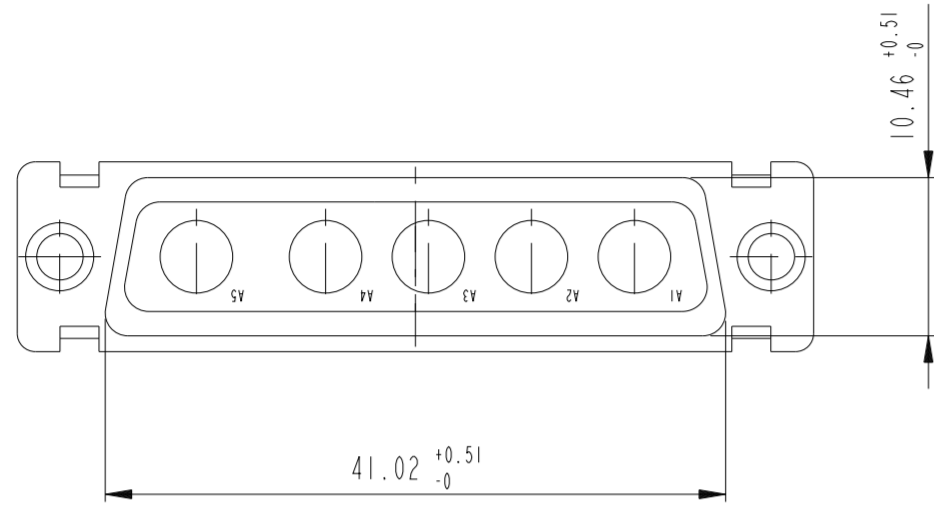
PDS: Rev :C

STATUS:Released

Printed: Jun 18, 2015

5W5

8W8



www.fciconnect.com		surface ISO 1302	tolerance std ISO 406 ISO 1101	projection ISO 1101	mm
		TOLERANCES UNLESS OTHERWISE SPECIFIED			
Dr Pro Engineer 1	2015/06/14	ANGULAR	0.X	±0.3	size A2
Eng Marty Glass	2015/06/16	LINEAR	0.XX	±0.1	Scale 2:1
Chr	-	0° ±2°	0.XXX	±0.05	ECN
Appr	-	Product family	-	Spec ref	Released
FCJ		Title SUB FEMALE DMW full power without contact		Dwg no C01-8637-1731C	Rev. C
catalog no		- Product - Customer Drw		sheet 4 of 4	

Copyright FCJ. FCJ

## X-ON Electronics

Largest Supplier of Electrical and Electronic Components

*Click to view similar products for [D-Sub Standard Connectors](#) category:*

*Click to view products by [Amphenol](#) manufacturer:*

Other Similar products are found below :

[DCM37S732N](#) [DAM15P500](#) [DEV09S364GTLF](#) [DEM09P032N](#) [DDM50P732N](#) [DAM15S332N](#) [173109-2218](#) [173109-2261](#) [173109-2468](#)  
[173109-2466](#) [173109-2469](#) [173109-2436](#) [173109-2435](#) [56F706-005-LI](#) [56F711-015](#) [012-9507-004](#) [015-0341-000](#) [015-0372-005](#) [015-0372-](#)  
[008](#) [015-8544-011](#) [017041-0005](#) [012-0515-000](#) [012-9507-034](#) [012-9507-114](#) [012-9534-001](#) [020745-0008](#) [609-25P](#) [M24308/2-23Z](#)  
[M243082310F](#) [M243082410F](#) [M243082411F](#) [M24308/4-21](#) [CT0E20-8PS](#) [CT0U22-14PSA206](#) [CT1A18-11PSA206](#) [CT1E20-22SCAU-G9](#)  
[CT1N36-5SC](#) [CT2-16S-17PS](#) [CT2-20-15PCAU](#) [CT2-24-12PS](#) [CT2-24-28PSF127A206](#) [CT2-32-9PC](#) [CT6F24-12PS](#) [CT6F9767-14-4-14S-](#)  
[5PC](#) [CT7-18-10SC](#) [CT7-18-10SCAU](#) [CT7-18-12SCAU](#) [CT7-18-20PS](#) [CT9-16-12PS](#) [M83513/01-FC](#)