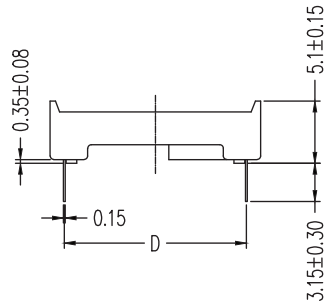
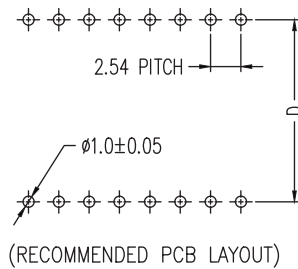
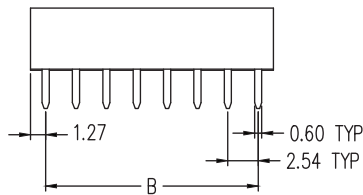
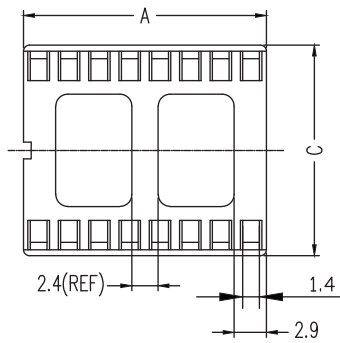
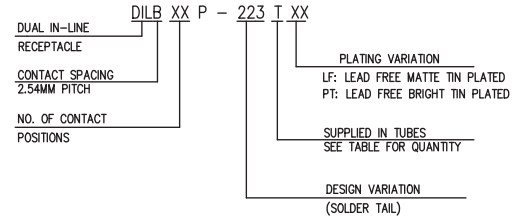


CATALOG NO	NO.OF CONTACTS	TABLE OF DIMENSIONS			
		A±0.30	B±0.25	C±0.30	D±0.20
DILB8P-223TXX	8P	10.16	7.62	10.16	7.62
DILB14P-223TXX	14P	17.78	15.24		
DILB16P-223TXX	16P	20.32	17.78		
DILB18P-223TXX	18P	22.86	20.32		
DILB20P-223TXX	20P	25.40	22.86		
DILB24P-224TXX	24P	30.48	27.94		
DILB24P-223TXX	24P	30.48	27.94	17.78	15.24
DILB28P-223TXX	28P	35.56	33.02		
DILB32P-223TXX	32P	40.64	38.10		
DILB40P-223TXX	40P	50.80	48.26		
DILB42P-223TXX	42P	53.34	50.80		



NOTES

- MATERIALS  
HOUSING: POLYAMIDE, UL94V-0 COLOR IN BLACK.  
CONTACT: COPPER ALLOY.
- FINISH  
100u" MIN. MATTE OR BRIGHT TIN OVER 50u" MIN. NICKEL.
- PERFORMANCE CHARACTERISTICS  
A) OPERATING VOLTAGE: 200VAC;  
B) CONTACT RESISTANCE: 30 MILLIOHMS MAX. AT 6 VDC;  
C) CURRENT RATING: 1 AMP. MAX.;  
D) OPERING TEMPERATURE: CONTINUOUS, -55°C TO 105°C;  
E) INSULATION RESISTANCE: 1000 MEGAOHMS MIN AT 500 VDC;  
F) DIELECTRIC WITHSTANDING VOLTAGE: 1000 VAC RMS MIN.;  
G) DURABILITY: NO ELECTRICAL DEGRADATION AFTER 25 CYCLES;  
H) THERMAL SHOCK: NO PHYSICAL OR ELECTRICAL DEGRADATION PER MIN-STD-1344, METHOD 1003, COND A;  
I) MOISTURE RESISTANCE: 300 MEGAOHMS MIN PER MIL-STD-202, METHOD 106. OMIT STEPS 7a AND 7b;  
J) VIBRATION: NO ELECTRICAL INTERRUPTION GREATER THAN 1 MICROSECOND PER MIL-STD-1344. METHOD 2005 COND III;  
K) MECHANICAL SHOCK: NO ELECTRICAL INTERRUPTION GREATER THAN 1 MICROSECOND WHEN 17.64 oz (500g)S APPLIED FOR 0.75 MILLISECONDS;  
L) FLAMMABILITY: UL94 V-0;  
M) INSERTION FORCE 340.2g /CONTACT MAX.;  
WITHDRAWAL FORCE: 14.5g/CONTACT MIN.;
- ORDERING INFORMATION



- DILBXXP-22XTLF: THE HOUSING WILL WITHSTAND EXPOSURE TO 260° PER PERK TEMPERATURE FOR 10 SECONDS IN A WAVE SOLDER APPLICATION.
- RECEPTACLE ACCEPTS 0.15 +/-0.03 mm THICK IC LEAD.

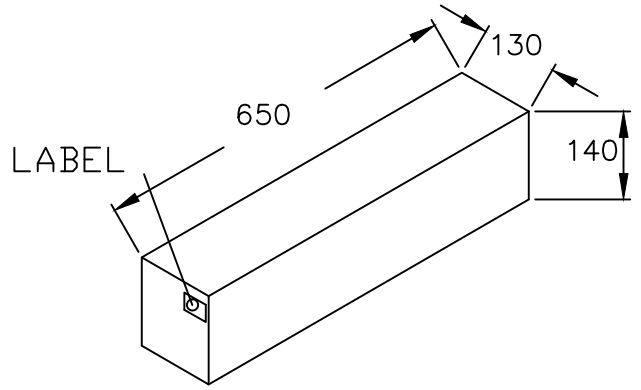
mat'l. code		surface ISO1302		tolerance ISO406 ISO1101		projection		product family	
ltr		ecn no		dr		date		title	
A		T05-0016		W.L		2005-01-24		EDGE CARD	
B		T06-0053		J.H		2006-03-28		DILB ASSEMBLY	
C		T06-0068		J.H		2006-07-07		scale 1:1	
D		ELX-I-24650		SAL		2016-08-03		dwg no sheet 1 of 2 size	
E		ELX-I-24704		SAL		2016-08-11		10052485 A4	
F		ELX-I-26235		J.J		2017-03-03		type Product-Customer Drw	
sheet index		revision sheet		F F		1 2			



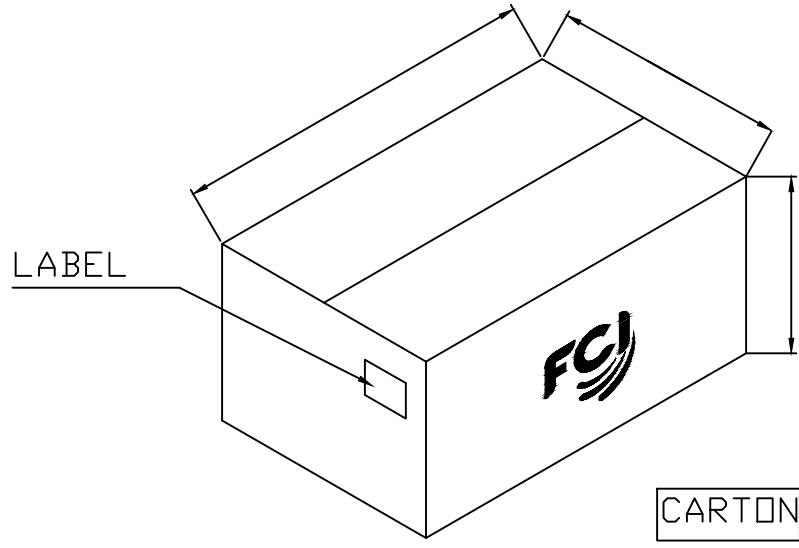
TUBE

DILB PACKING LIST FOR TUBE

DILB8P-223TXX	8P	60	100	6000	
DILB14P-223TXX	14P	34	100	3400	
DILB16P-223TXX	16P	30	100	3000	
DILB18P-223TXX	18P	26	100	2600	
DILB20P-223TXX	20P	24	100	2400	
DILB24P-224TXX	24P	20	100	2000	
DILB24P-223TXX	24P	20	60	1200	
DILB28P-223TXX	28P	17	60	1020	
DILB32P-223TXX	32P	15	60	900	
DILB40P-223TXX	40P	12	60	720	
DILB42P-223TXX	42P	11	60	660	



BOX



CARTON

mat'l. code				surface	tolerance
				ISO1302	ISO406 IS
				<input checked="" type="checkbox"/>	
ltr	ecn no	dr	date	tolerances unless otherwise specified	
D	ELX-I-24650	SAL	2016-08-03	angles	.X ± 0.3
E	ELX-I-24704	SAL	2016-08-11		.XX ± 0.2
F	ELX-I-26235	J.J	2017-03-03		.XXX ± 0.05
				dr	WADE LIU 2005-
				enr	WADE LIU 2005-
				chr	S. ALOSIOUS 2017-
				appd	BUU K PAUL 2017-
sheet	revision	F	F		
index	sheet	1	2		

## X-ON Electronics

Largest Supplier of Electrical and Electronic Components

*Click to view similar products for [IC & Component Sockets](#) category:*

*Click to view products by [Amphenol](#) manufacturer:*

Other Similar products are found below :

[714-43-102-31-012000](#) [0066-3-17-15-30-14-02-0](#) [0134-0-15-15-32-27-04-0](#) [614-DG5](#) [6527-0-00-15-00-00-03-0](#) [670](#) [672](#) [673](#) [712-93-120-41-001000](#) [714-93-104-31-018000](#) [8059-4G1-LF](#) [807-22-001-10-001101](#) [807-22-001-10-003101](#) [807-22-001-10-004101](#) [807-22-001-10-006101](#) [807-22-001-30-011101](#) [807-22-001-30-012101](#) [807-22-001-30-013101](#) [807-22-001-30-014101](#) [8-1437531-4](#) [8150-6P10](#) [833-93-034-10-001000](#) [835-43-014-10-001000](#) [851-41-006-10-001000](#) [851-43-008-20-001000](#) [851-43-014-20-001000](#) [851-93-006-20-001000](#) [851-93-010-20-001000](#) [852-10-026-10-001000](#) [853-43-020-10-001000](#) [86.010.0053.0](#) [116-43-306-41-003000](#) [116-43-308-41-007000](#) [116-87-308-41-007101](#) [PX-68LCC](#) [PX-84LCC](#) [121-13-318-41-001000](#) [121-13-320-41-001000](#) [121-13-308-41-001000](#) [123-43-314-41-801000](#) [123-43-420-41-001000](#) [123-43-636-41-001000](#) [123-87-320-41-001101](#) [122-13-316-41-001000](#) [123-13-624-41-001000](#) [123-43-306-41-001000](#) [123-43-322-41-801000](#) [123-43-428-41-001000](#) [123-43-624-41-001000](#) [12-3513-11](#)