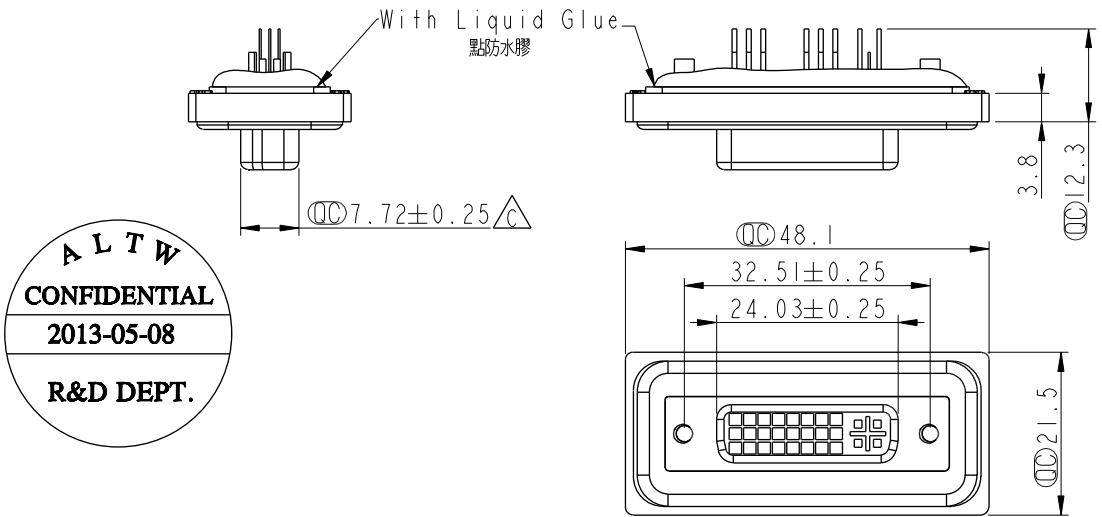
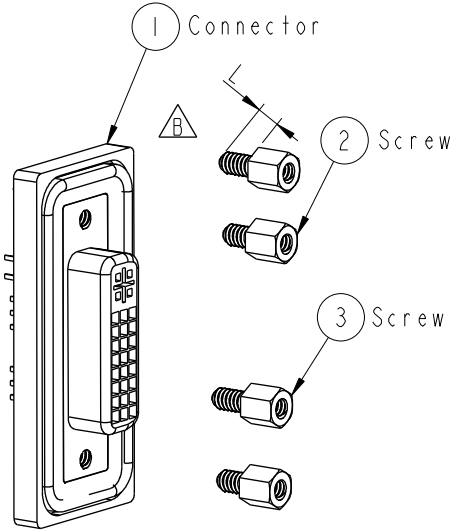


REV.	ECN NO.	DATE	SIGN	DESCRIPTION
B	LE3-710147	2006/12/13	Gao Ling	Move O-ring to ZSE00100842
C	LEN1350172	2013/05/08	Sam	Modify Dimension



ALTW
CONFIDENTIAL
 2013-05-08
 R&D DEPT.

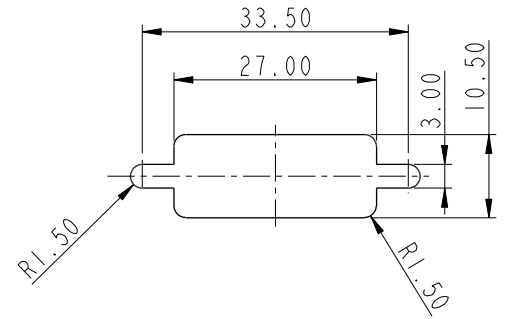


- Note:
- * \varnothing Important Dimension.
 - * Waterproof Rate : IP68
 IP68: 1M of depth of water 24 hours
 (防水等級 : IP68)
 (IP68: 1米水深 24小時)
 - * Do Mating Test After Glued
 點膠後, 須作對插測試
 - * Add glue can't highly exceed pin
 (點膠高度不得蓋過 pin 針)
 - * DVI Conn. : Nylon66, Black Core
 - * Plastic Jacket : Nylon+GF, Black
 - * Pin : Copper Alloy, Gold Plated
 - * Ring : Light Silicone, Blue
 - * Screw : Copper Alloy, Nickel Plated, #4-40 UNC



Screw L=5.0 For Panel Thickness
 Under 1.2mm
 適用板厚為 1.2mm 以下

Screw L=6.0 For Panel Thickness
 Between 1.2~2.0mm
 適用板厚為 1.2~2.0mm



Recommended Panel Cut-Out
 建議挖孔尺寸

UNIT:mm		TITLE	Female DVI Connector(18+5)		
TOLERANCE		SCALE	SIZE	SHEET	OF
.X	±0.25	1:1	A4	1	1
.XX	±0.1	REV.	WC-REV.	\varnothing	Inspection item
.XXX	±0.05	C	A.2		
ANGLES	±1				

Amphenol LTW
 安費諾亮泰企業股份有限公司

ITEM NO.	DIS-23PFFS-SL8001	DRAWN BY	SamChang	DATE	2013-05-08
DWG NO.	DIS-23PFFS-SL8001	CHECKED BY	Rita	DATE	2013-05-08
CUSTOMER	ALTW	APPROVED BY	Maslow	DATE	2013-05-08

THIS DOCUMENT IS SUBJECT TO CHANGE WITHOUT NOTICE. IT IS CONFIDENTIAL AND A PROPERTY OF Amphenol LTW. DISCLOSURE TO THIRD PARTY HAS TO BE AUTHORIZED BY Amphenol LTW.

X-ON Electronics

Largest Supplier of Electrical and Electronic Components

Click to view similar products for [HDMI, Displayport & DVI Connectors](#) category:

Click to view products by [Amphenol](#) manufacturer:

Other Similar products are found below :

[1775247-3](#) [2-1932649-5](#) [30-1231](#) [30-528](#) [2069485-1](#) [30-504](#) [30-519](#) [30-542](#) [47648-2000](#) [2002-400](#) [TC142X](#) [769-103/021-000](#) [1932649-1](#)
[233-368NFG6-17NH](#) [PJ-210A](#) [PJ-35825](#) [6321-026RDS1MWA02](#) [DV11201-H5R6-4F](#) [RPI-16337](#) [CC-MDPM-VGAM-6](#) [RPI-16338](#) [CCB-](#)
[HDMIL-1.5M](#) [CCB-HDMIL-1M](#) [CCB-HDMIL-2M](#) [CCB-HDMIL-3M](#) [CCB-HDMIL-5M](#) [CCB-HDMIL-7.5M](#) [CCBP-HDMI-10M](#) [CCBP-](#)
[HDMI-1M](#) [CCBP-HDMI-2M](#) [CCBP-HDMI-3M](#) [CCBP-HDMI-5M](#) [CCBP-HDMI-7.5M](#) [CCBP-HDMI8K-1M](#) [CCBP-HDMI8K-2M](#) [CCBP-](#)
[HDMI8K-3M](#) [AK-AV-02](#) [AK-AV-03](#) [AK-AV-05](#) [AK-AV-06](#) [AK-AV-10](#) [AK-AV-11](#) [AK-AV-13](#) [AK-AV-15](#) [CCP-MDP2-6](#) [CCP-](#)
[MDPMDP2-6](#) [AK-HD-05A](#) [AK-HD-100A](#) [AK-HD-100P](#) [AK-HD-10M](#)