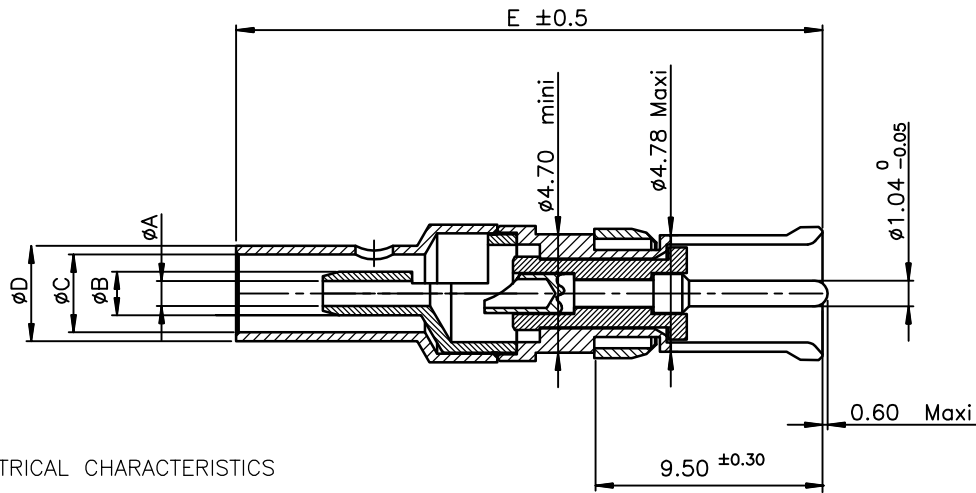


DM537425000NCLF	STRAIGHT SOCKET COAXIAL CONTACT	1.00	1.75	2.32	3.20	22.30	RG 178 B/U RG 196 A/U
DM537425002NCLF	STRAIGHT SOCKET COAXIAL CONTACT	2.75	4.00	5.09	5.95	26.80	RG 195 A/U RG 180 B/U
DM537425004NCLF	STRAIGHT SOCKET COAXIAL CONTACT	3.15	4.00	5.09	5.95	26.80	RG 58 C/U
DM537425006NCLF	STRAIGHT SOCKET COAXIAL CONTACT	0.98	1.77	2.30	3.22	24.10	RG 178 B/U RG 196 A/U
DM537425001NCLF	STRAIGHT SOCKET COAXIAL CONTACT	1.70	2.46	3.13	3.84	24.10	RG 188 A/U RG 179 B/U RG 316 /U
PART NUMBER	DESIGNATION	$\phi A^{+0.10}_0$	$\phi B^{\pm 0.05}$	$\phi C^{+0.10}_0$	$\phi D^{\pm 0.10}$	E	CABLE REF.



NOTE:RoHS INFORMATIONS

- The "LF" product meets European union Directives and other country regulations as described in GS-22-008.
- The product is not intended to be exposed to a manufacturing solder process.
- Packaging spec: see GS-14-920.

ELECTRICAL CHARACTERISTICS

- Impedance: 50 Ohm
- Working frequency: 1GHz max
- Dielectric with standing voltage: 600V
- Insulation resistance 5000: 14 Ohm
- Contact resistance < 5 mOhm
- Insertion lost: < 0.2 dB

MECHANICAL CHARACTERISTICS

- Mating force per set of contact 0.4 N to 9 N
- Mating endurance 500
- Temperature -55°C to +125 °C

TOOLING

- Coaxial contact extraction tool 8630-07A

www.fciconnect.com		surface ISO 1302 ✓	tolerance std ISO 406 ISO 1101	projection mm
TOLERANCES UNLESS OTHERWISE SPECIFIED				
Dr	PESSON	2005/10/14	ANGULAR	0.X
Eng	PESSON	2005/10/14	LINEAR	0.XX
Chr	LEGARE	2005/10/14	0.XX ±Z	0.XXX
Appr	LEGARE	2005/10/14	Product family	D-SUB
rev		ecn no	dr	date
A	LS05-0086	MPE	2005/10/14	
B	LS05-0107	MPE	2005/12/20	
C	LS07-000	LGO	2007/01/09	
D	F10-0086	LSA	2010/08/20	
title		STRAIGHT SOCKET COAXIAL CONTACT		dwg no
SOLDER TO CABLE		C01-8639-2157		Rev.
catalog no		CUSTOMER		sheet 1 of 1



Copyright FCI.

X-ON Electronics

Largest Supplier of Electrical and Electronic Components

Click to view similar products for [D-Sub Contacts](#) category:

Click to view products by [Amphenol](#) manufacturer:

Other Similar products are found below :

[D02-22-26S-10000](#) [8656352067LF](#) [131A15029X](#) [132J22039X](#) [132A11029X](#) [132A11049X](#) [132A12059X](#) [1757912-1](#) [188582-000](#)
[162A11889X](#) [1757913-1](#) [212558-1](#) [030-1955-000](#) [053744-0098](#) [053744-0099](#) [053745-0105](#) [053745-0111](#) [601098N003](#) [D-610-10CS2962](#)
[86303057NLF](#) [131A11019X](#) [162A11819X](#) [40-9854MP](#) [1-208778-5](#) [FC120N2](#) [MC7526D/AA](#) [MC8122D/AA](#) [FC4010D-15](#) [FC4006D](#)
[121A05329A](#) [164C16669X](#) [86566620064LF](#) [131A13019X](#) [DLS3XS5AK40X](#) [09692825723](#) [030-1954-000](#) [L17DM53744207](#)
[L17RRD1M11400](#) [030-1952-000](#) [030-1953-000](#) [030-1953-030](#) [132C11039X](#) [132J15019X](#) [132C15019X](#) [132A10039X](#) [131A10029X](#)
[8638PSC2006LF](#) [8656453067LF](#) [86566520064LF](#) [L17DM537441](#)