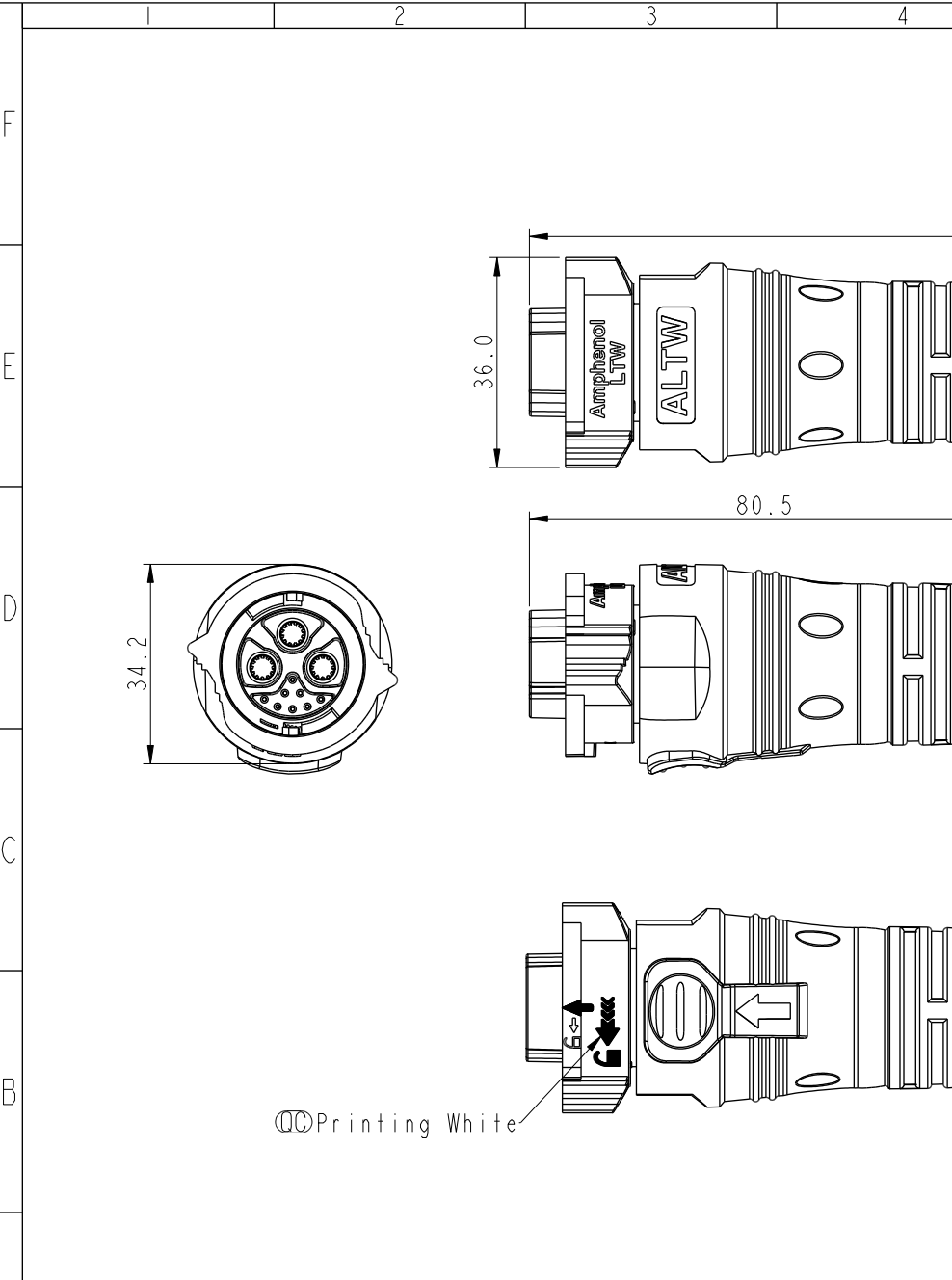


THIS DOCUMENT IS SUBJECT TO CHANGE WITHOUT NOTICE. IT IS CONFIDENTIAL AND A PROPERTY OF Amphenol LTW. DISCLOSURE TO THIRD PARTY HAS TO BE AUTHORIZED BY Amphenol LTW.

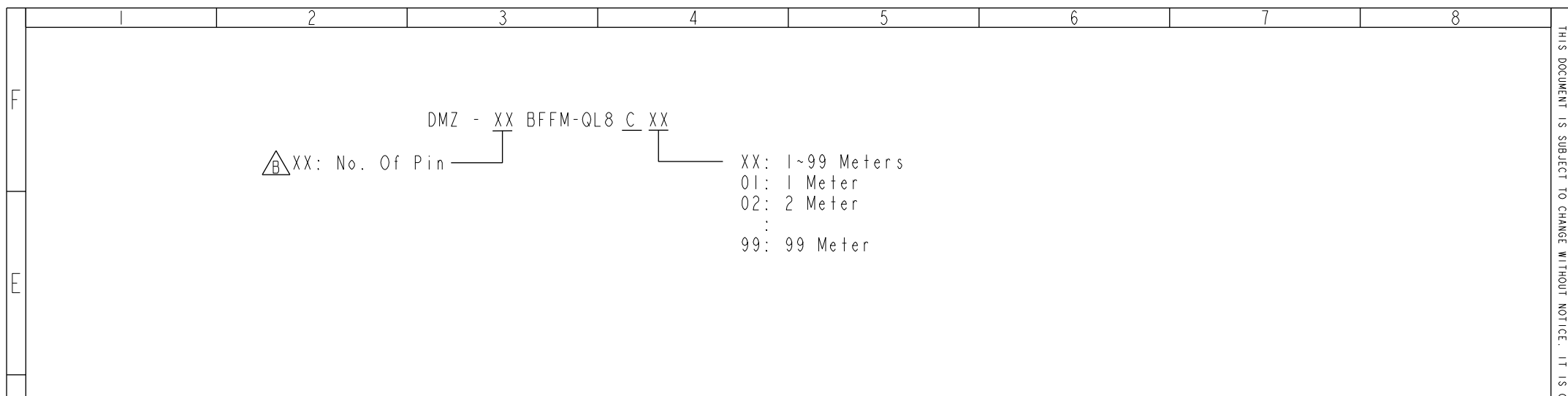
REV.	ECN NO.	DATE	SIGN	DESCRIPTION
B	C230251	2023/03/01	Vicky	$\triangle B$ X5



Note:

- * RoHS Compliant
- * CC Important Dimension
- $\triangle B$ * Waterproof Rate: IP68, Mated 1m/24h
- * Connector
 - Housing: Thermoplastic, Black
 - Power Pin: Copper Alloy, Silver Plated
 - Data Pin: Copper Alloy, Gold Plated
 - O-Ring: Rubber, Gray
 - Nut: Thermoplastic, Black
 - Outer Mold: Thermoplastic, Black
- * Cable: UL2517, PVC Jacket, Black
- * Cable Length Tolerance:
 - 1M < L ≤ 3M: +100/-0 mm
 - 3M < L ≤ 5M: +150/-0 mm
 - 5M < L ≤ 10M: ±100 mm
 - 10M < L ≤ 20M: ±200 mm
 - 20M < L ≤ 30M: ±300 mm
 - 30M < L ≤ 99M: ±500 mm

UNIT: mm TOLERANCE ±0.5mm	TITLE XLOK, D-50A+1.5A, CABLE W/O SR F, F, MOLDING, PUSH LOCK $\triangle B$		<h1 style="margin: 0;">Amphenol LTW</h1> <p style="margin: 0;">安費諾亮泰企業股份有限公司</p>		ITEM NO	DRAWN BY Ouyang	DATE 2022-05-09		
	SCALE 1:1	SIZE A4			SHEET 1	OF 2	DWG NO DMZ-XXBFFM-QL8CXX	CHECKED BY Jerry	DATE 2022-05-09
	REV. B	WC-REV. .0			CC : Inspection item		CUSTOMER ALTW	APPROVED BY Fred	DATE 2022-05-09



Pin Assignments Front View

3P Power+1P Data	3P Power+2P Data	3P Power+3P Data	3P Power+4P Data	3P Power+5P Data	3P Power+6P Data	3P Power+7P Data	3P Power+8P Data																																																																																																																																																																																												
<table border="1" style="width: 100%; border-collapse: collapse;"> <tr> <th>Pin #</th> <th>Wire</th> <th>Pin #</th> <th>Wire</th> </tr> <tr> <td>A</td> <td>Black</td> <td>1</td> <td>Red</td> </tr> <tr> <td>B</td> <td>White</td> <td>2</td> <td>Black</td> </tr> <tr> <td>C</td> <td>Green</td> <td>3</td> <td>Green</td> </tr> </table>	Pin #	Wire	Pin #	Wire	A	Black	1	Red	B	White	2	Black	C	Green	3	Green	<table border="1" style="width: 100%; border-collapse: collapse;"> <tr> <th>Pin #</th> <th>Wire</th> <th>Pin #</th> <th>Wire</th> </tr> <tr> <td>A</td> <td>Black</td> <td>2</td> <td>Red</td> </tr> <tr> <td>B</td> <td>White</td> <td>3</td> <td>Black</td> </tr> <tr> <td>C</td> <td>Green</td> <td></td> <td></td> </tr> </table>	Pin #	Wire	Pin #	Wire	A	Black	2	Red	B	White	3	Black	C	Green			<table border="1" style="width: 100%; border-collapse: collapse;"> <tr> <th>Pin #</th> <th>Wire</th> <th>Pin #</th> <th>Wire</th> </tr> <tr> <td>A</td> <td>Black</td> <td>1</td> <td>Red</td> </tr> <tr> <td>B</td> <td>White</td> <td>2</td> <td>Black</td> </tr> <tr> <td>C</td> <td>Green</td> <td>3</td> <td>Green</td> </tr> </table>	Pin #	Wire	Pin #	Wire	A	Black	1	Red	B	White	2	Black	C	Green	3	Green	<table border="1" style="width: 100%; border-collapse: collapse;"> <tr> <th>Pin #</th> <th>Wire</th> <th>Pin #</th> <th>Wire</th> </tr> <tr> <td>A</td> <td>Black</td> <td>4</td> <td>Red</td> </tr> <tr> <td>B</td> <td>White</td> <td>5</td> <td>Black</td> </tr> <tr> <td>C</td> <td>Green</td> <td>7</td> <td>Green</td> </tr> <tr> <td></td> <td></td> <td>8</td> <td>Brown</td> </tr> </table>	Pin #	Wire	Pin #	Wire	A	Black	4	Red	B	White	5	Black	C	Green	7	Green			8	Brown	<table border="1" style="width: 100%; border-collapse: collapse;"> <tr> <th>Pin #</th> <th>Wire</th> <th>Pin #</th> <th>Wire</th> </tr> <tr> <td>A</td> <td>Black</td> <td>1</td> <td>Red</td> </tr> <tr> <td>B</td> <td>White</td> <td>4</td> <td>Black</td> </tr> <tr> <td>C</td> <td>Green</td> <td>5</td> <td>Green</td> </tr> <tr> <td></td> <td></td> <td>7</td> <td>Brown</td> </tr> <tr> <td></td> <td></td> <td>8</td> <td>White</td> </tr> </table>	Pin #	Wire	Pin #	Wire	A	Black	1	Red	B	White	4	Black	C	Green	5	Green			7	Brown			8	White	<table border="1" style="width: 100%; border-collapse: collapse;"> <tr> <th>Pin #</th> <th>Wire</th> <th>Pin #</th> <th>Wire</th> </tr> <tr> <td>A</td> <td>Black</td> <td>2</td> <td>Red</td> </tr> <tr> <td>B</td> <td>White</td> <td>3</td> <td>Black</td> </tr> <tr> <td>C</td> <td>Green</td> <td>4</td> <td>Green</td> </tr> <tr> <td></td> <td></td> <td>5</td> <td>Brown</td> </tr> <tr> <td></td> <td></td> <td>7</td> <td>White</td> </tr> <tr> <td></td> <td></td> <td>8</td> <td>Orange</td> </tr> </table>	Pin #	Wire	Pin #	Wire	A	Black	2	Red	B	White	3	Black	C	Green	4	Green			5	Brown			7	White			8	Orange	<table border="1" style="width: 100%; border-collapse: collapse;"> <tr> <th>Pin #</th> <th>Wire</th> <th>Pin #</th> <th>Wire</th> </tr> <tr> <td>A</td> <td>Black</td> <td>2</td> <td>Red</td> </tr> <tr> <td>B</td> <td>White</td> <td>3</td> <td>Black</td> </tr> <tr> <td>C</td> <td>Green</td> <td>4</td> <td>Green</td> </tr> <tr> <td></td> <td></td> <td>5</td> <td>Brown</td> </tr> <tr> <td></td> <td></td> <td>6</td> <td>White</td> </tr> <tr> <td></td> <td></td> <td>7</td> <td>Orange</td> </tr> <tr> <td></td> <td></td> <td>8</td> <td>Yellow</td> </tr> </table>	Pin #	Wire	Pin #	Wire	A	Black	2	Red	B	White	3	Black	C	Green	4	Green			5	Brown			6	White			7	Orange			8	Yellow	<table border="1" style="width: 100%; border-collapse: collapse;"> <tr> <th>Pin #</th> <th>Wire</th> <th>Pin #</th> <th>Wire</th> </tr> <tr> <td>A</td> <td>Black</td> <td>1</td> <td>Red</td> </tr> <tr> <td>B</td> <td>White</td> <td>2</td> <td>Black</td> </tr> <tr> <td>C</td> <td>Green</td> <td>3</td> <td>Green</td> </tr> <tr> <td></td> <td></td> <td>4</td> <td>Brown</td> </tr> <tr> <td></td> <td></td> <td>5</td> <td>White</td> </tr> <tr> <td></td> <td></td> <td>6</td> <td>Orange</td> </tr> <tr> <td></td> <td></td> <td>7</td> <td>Yellow</td> </tr> <tr> <td></td> <td></td> <td>8</td> <td>Blue</td> </tr> </table>	Pin #	Wire	Pin #	Wire	A	Black	1	Red	B	White	2	Black	C	Green	3	Green			4	Brown			5	White			6	Orange			7	Yellow			8	Blue
Pin #	Wire	Pin #	Wire																																																																																																																																																																																																
A	Black	1	Red																																																																																																																																																																																																
B	White	2	Black																																																																																																																																																																																																
C	Green	3	Green																																																																																																																																																																																																
Pin #	Wire	Pin #	Wire																																																																																																																																																																																																
A	Black	2	Red																																																																																																																																																																																																
B	White	3	Black																																																																																																																																																																																																
C	Green																																																																																																																																																																																																		
Pin #	Wire	Pin #	Wire																																																																																																																																																																																																
A	Black	1	Red																																																																																																																																																																																																
B	White	2	Black																																																																																																																																																																																																
C	Green	3	Green																																																																																																																																																																																																
Pin #	Wire	Pin #	Wire																																																																																																																																																																																																
A	Black	4	Red																																																																																																																																																																																																
B	White	5	Black																																																																																																																																																																																																
C	Green	7	Green																																																																																																																																																																																																
		8	Brown																																																																																																																																																																																																
Pin #	Wire	Pin #	Wire																																																																																																																																																																																																
A	Black	1	Red																																																																																																																																																																																																
B	White	4	Black																																																																																																																																																																																																
C	Green	5	Green																																																																																																																																																																																																
		7	Brown																																																																																																																																																																																																
		8	White																																																																																																																																																																																																
Pin #	Wire	Pin #	Wire																																																																																																																																																																																																
A	Black	2	Red																																																																																																																																																																																																
B	White	3	Black																																																																																																																																																																																																
C	Green	4	Green																																																																																																																																																																																																
		5	Brown																																																																																																																																																																																																
		7	White																																																																																																																																																																																																
		8	Orange																																																																																																																																																																																																
Pin #	Wire	Pin #	Wire																																																																																																																																																																																																
A	Black	2	Red																																																																																																																																																																																																
B	White	3	Black																																																																																																																																																																																																
C	Green	4	Green																																																																																																																																																																																																
		5	Brown																																																																																																																																																																																																
		6	White																																																																																																																																																																																																
		7	Orange																																																																																																																																																																																																
		8	Yellow																																																																																																																																																																																																
Pin #	Wire	Pin #	Wire																																																																																																																																																																																																
A	Black	1	Red																																																																																																																																																																																																
B	White	2	Black																																																																																																																																																																																																
C	Green	3	Green																																																																																																																																																																																																
		4	Brown																																																																																																																																																																																																
		5	White																																																																																																																																																																																																
		6	Orange																																																																																																																																																																																																
		7	Yellow																																																																																																																																																																																																
		8	Blue																																																																																																																																																																																																

UNIT: mm		TITLE XLOK, D-50A+1.5A, CABLE W/O SR F, F, MOLDING, PUSH LOCK	Amphenol LTW 安費諾亮泰企業股份有限公司	ITEM NO	DRAWN BY Ouyang	DATE 2022-05-09
TOLERANCE ±0.5mm		SCALE 1:1	SIZE A4	DWG NO DMZ-XXBFFM-QL8CXX	CHECKED BY Jerry	DATE 2022-05-09
		REV. B	WC-REV. .0	CUSTOMER ALTW	APPROVED BY Fred	DATE 2022-05-09
			◎: Inspection item			

X-ON Electronics

Largest Supplier of Electrical and Electronic Components

Click to view similar products for [Sensor Cables / Actuator Cables](#) category:

Click to view products by [Amphenol](#) manufacturer:

Other Similar products are found below :

[60963](#) [60964](#) [M83513/19-F01CP](#) [703000D02F2002](#) [703000D02F300](#) [703001D02F0602](#) [703001D02F1201](#) [703001D02F300](#)
[773032K02F030](#) [802027213811-1](#) [804001A09M150](#) [805001A09M0502](#) [84914-0235](#) [84914-0237](#) [885030A09M010](#) [8R4006A18M010](#)
[8R4J30E03C3003](#) [1200650503](#) [1200651713](#) [1200660844](#) [1200660845](#) [1200661173](#) [1200680071](#) [1200720053](#) [1200720081](#) [1200720094](#)
[1200720099](#) [1200720217](#) [1200800231](#) [1200860125](#) [1200870123](#) [1200660183](#) [1200660782](#) [1200660849](#) [1200661295](#) [1200661297](#)
[1200661342](#) [1200661343](#) [1200670080](#) [1200680331](#) [1200720252](#) [1200720255](#) [1200720597](#) [1200730184](#) [1200860344](#) [1200870359](#)
[1200870643](#) [1200980008](#) [1200980031](#) [1210502211](#)