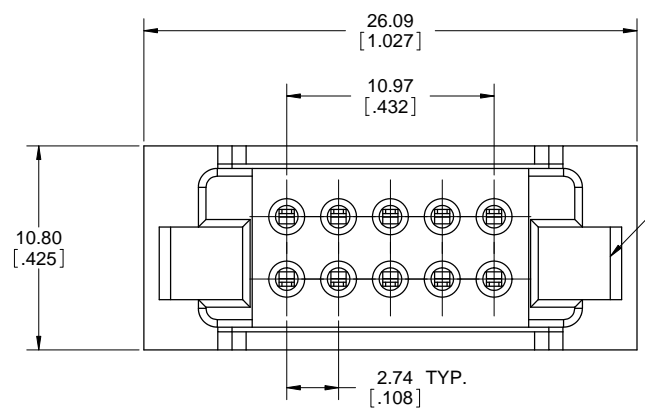


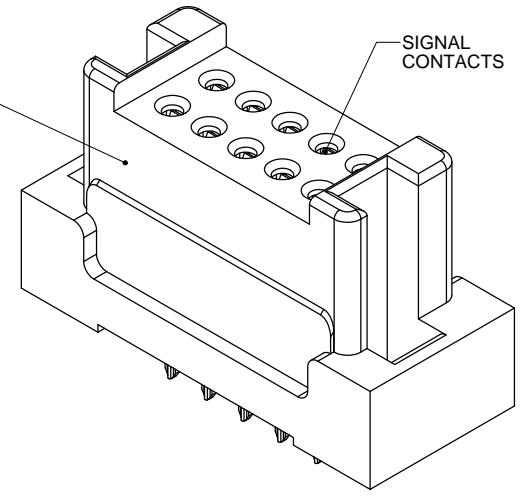
REVISIONS			
REV	DESCRIPTION, ECN, EAR NO.	DATE	APP'D
A	NEW PROPOSAL DWG (EAR 13783)	OCT25/10	K.L.



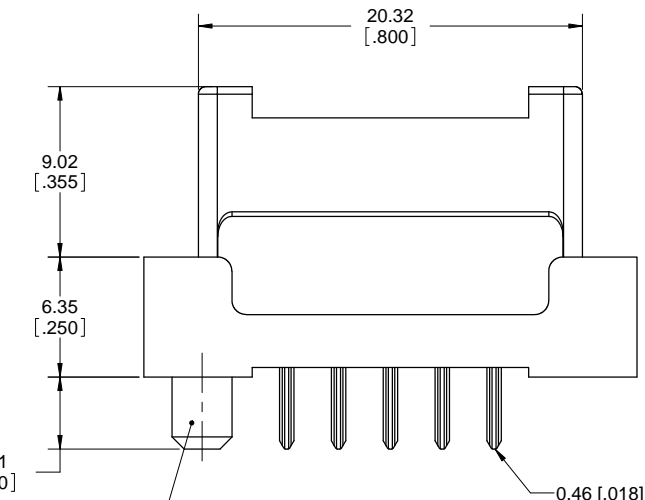
SLOT ACCEPTS PIN CONNECTOR HOUSING BLADE, LOCATED OFF CENTER TO PREVENT IMPROPER MATING

SOCKET HOUSING

SIGNAL CONTACTS

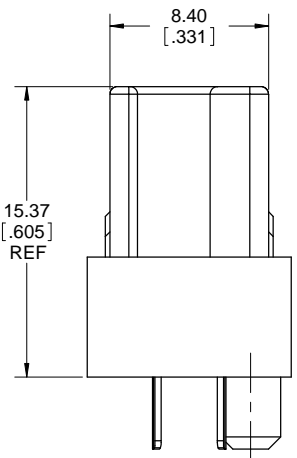


P/N DWR-T010S-V233-01



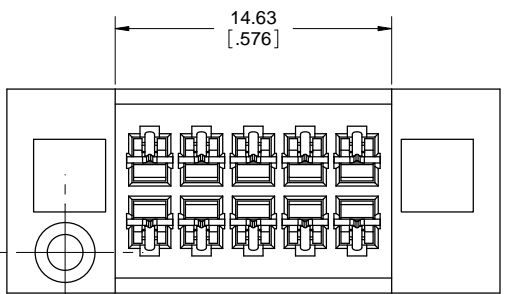
ORIENTATION PEG PREVENTS ASSEMBLY ERRORS

0.46 [.018] x 0.76 [.030] SIGNAL CONTACT TAILS (10 PLACES)



NOTES:

- MATERIALS: ALL MATERIALS ARE RoHS COMPLIANT PER EU DIRECTIVE 2002/95/EC AND AMENDMENTS.
 - HOUSING: HIGH TEMPERATURE RESISTANT NYLON, UL FLAMMABILITY RATING 94V-0, COLOUR BLACK
 - SIGNAL CONTACTS: PHOSPHOR BRONZE PLATED WITH 0.38µm (15µ") GOLD OVER 1.27µm (50µ") NICKEL ON THE MATING AREA AND 2.54µm (100µ") MATTE TIN OVER NICKEL ON THE TAILS.
- WHEN MATED WITH PIN CONNECTOR P/N DWR-T010P-V233-01, THE ORDER OF MECHANICAL AND ELECTRICAL ENGAGEMENT IS A) HOUSING BLADES, B) HOUSING SHROUD, C) SIGNAL CONTACTS.
- RATINGS SUBJECT TO DESIGN QUALIFICATION TESTING
 - CURRENT RATING: 5A SIGNAL
 - DIELECTRIC WITHSTANDING VOLTAGE: 1500VDC
 - INSULATION RESISTANCE: 5000 MEGAOHMS
 - OPERATING TEMPERATURE: -55C TO +105C

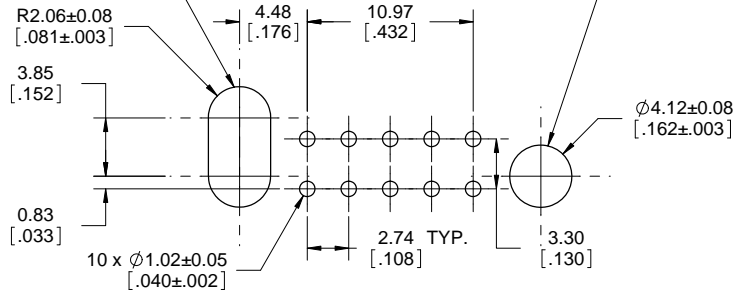


UNLESS SPECIFIED OTHERWISE	DRAWN	S.CAELERS	OCT25/10
PRIMARY UNITS MILLIMETERS	CHECKED	K.LAMBIE	OCT25/10
SECONDARY INCHES	M.E. APP'D		
REFERENCE IN PARENTHESES	Q.A. APP'D		
GENERAL TOLERANCES	DWG APPR.		
1 DECIMAL PLACE	ENG. REL. NO.	EAR 13783	
2 DECIMAL PLACES	REF.		
3 DECIMAL PLACES	THIRD ANGLE PROJECTION		
ANGULAR DEGREES	DO NOT SCALE DRAWING		

Amphenol Canada Corp.			
DWR SERIES SLIM DRAWER, 10 SIGNAL SOCKET CONNECTOR, RoHS COMPLIANT			
DWG. NO.	P-DWR-T010S-V233-01		REV A
CODE ID NO. 03554	DWG SIZE: X	SCALE: 5:1	SHEET 1 OF 2

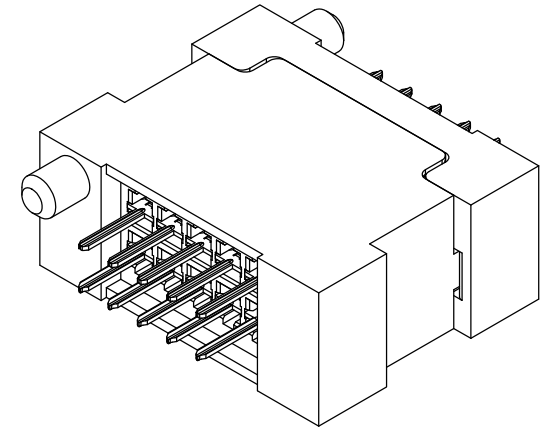
THIS DOCUMENT CONTAINS PROPRIETARY INFORMATION AND SUCH INFORMATION MAY NOT BE DISCLOSED TO OTHERS FOR ANY PURPOSE OR USED FOR MANUFACTURING PURPOSES WITHOUT WRITTEN PERMISSION FROM AMPHENOL CANADA CORP.

SLOT & HOLE WILL CLEAR
ORIENTATION PEG & MATING
PIN HOUSING BLADES.
PLATING NOT REQUIRED



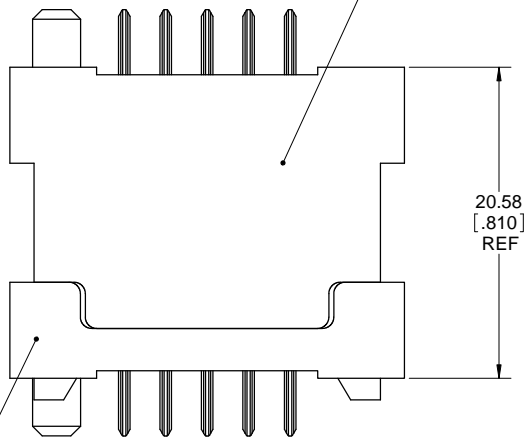
RECOMMENDED PCB LAYOUT
COMPONENT SIDE OF BOARD
SCALE 4:1

LOCATE HOLES
 0.13[.005] DIA
 POSITION DIMENSIONS
 ARE BASIC



REVISIONS			
REV	DESCRIPTION, ECN, EAR NO.	DATE	APP'D
A	NEW PROPOSAL DWG (EAR 13783)	OCT25/10	K.L.

MATING PIN
P/N DWR-T010P-V233-01



SOCKET CONNECTOR
P/N DWR-T010S-V233-01

MATED ASSEMBLY
SIDE VIEW
SCALE 4:1



UNLESS SPECIFIED OTHERWISE	DRAWN	S.CAELERS	OCT25/10
PRIMARY UNITS MILLIMETERS	CHECKED	K.LAMBIE	OCT25/10
SECONDARY INCHES	M.E. APP'D		
REFERENCE IN PARENTHESES	Q.A. APP'D		
GENERAL TOLERANCES	DWG APPR.		
1 DECIMAL PLACE	ENG. REL. NO.	EAR 13783	
2 DECIMAL PLACES	REF.		
3 DECIMAL PLACES	THIRD ANGLE PROJECTION		DO NOT SCALE DRAWING
ANGULAR DEGREES			

Amphenol Canada Corp.

DWR SERIES SLIM DRAWER, 10 SIGNAL
SOCKET CONNECTOR, RoHS COMPLIANT

DWG. NO.	REV
P-DWR-T010S-V233-01	A
CODE ID NO. 03554	DWG SIZE: X
SCALE: 2:1	SHEET 2 OF 2

X-ON Electronics

Largest Supplier of Electrical and Electronic Components

Click to view similar products for [Power to the Board](#) category:

Click to view products by [Amphenol](#) manufacturer:

Other Similar products are found below :

[6450171-4](#) [6450552-7](#) [6600323-8](#) [6643429-1](#) [6646040-2](#) [6651939-1](#) [6766604-1](#) [120959-1](#) [1393557-2](#) [1393532-2](#) [1393532-3](#) [1393532-4](#)
[1393557-1](#) [1600812-5](#) [1-6450861-2](#) [1744132-7](#) [1761122-1](#) [1766250-1](#) [1892109-1](#) [2-6450860-5](#) [2-6450870-0](#) [1-6450161-4](#) [1-6450850-6](#) [1-](#)
[6450869-6](#) [1645526-2](#) [1-6600130-0](#) [2005243-2](#) [TE34-12-16P-F0](#) [5-6450830-6](#) [5646956-4](#) [4-6450830-9](#) [4-6600333-3](#) [10125416-4050LF](#)
[6600320-3](#) [3-6450860-5](#) [1888123-2](#) [6450166-1](#) [6643978-1](#) [6766605-1](#) [N11444](#) [6651938-1](#) [6450810-7](#) [46437-1112](#) [1-1589677-8](#) [5646956-5](#)
[6450813-2](#) [6450129-4](#) [1645523-1](#) [PSS-06-01-T-S](#) [0465621864](#)