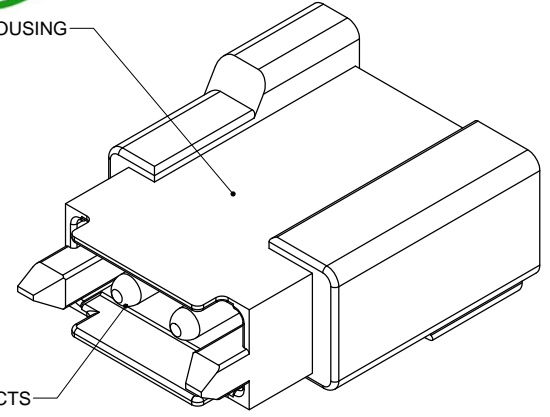
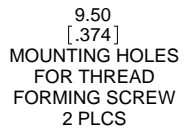


REVISIONS			
REV	DESCRIPTION, ECN, EAR NO.	DATE	APP'D
E	FINAL DESIGN	JAN11/11	
F	UPDATED DESIGN (EAR 13839)	MAR02/11	
G	SPEC UPDATED (EAR 13936)	AUG23/11	S.M
H	TOLERANCES ADDED	FEB1/12	S.M
J	UL FILE NO ADDED	MAR26/12	S.M

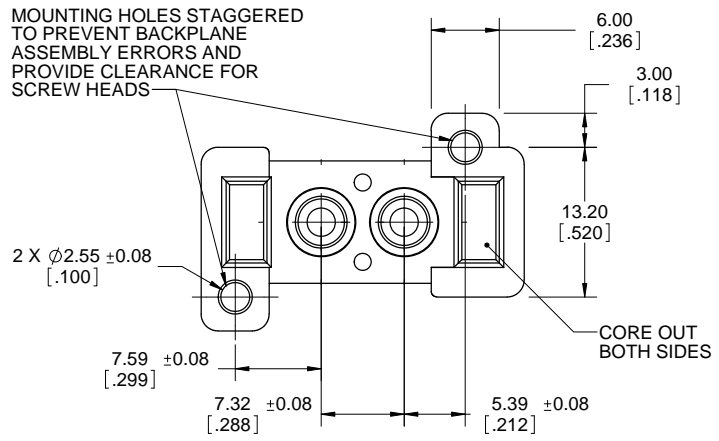


P/N: DWR-T200P-V23X-93



NOTES:

- MATERIALS: ALL MATERIALS ARE RoHS COMPLIANT PER EU DIRECTIVE 2002/95/EC AND AMENDMENTS.
 - HOUSING: HIGH TEMPERATURE RESISTANT NYLON, UL FLAMMABILITY RATING 94V-0, COLOUR BLACK
 - POWER CONTACTS: COPPER ALLOY. SEE NOTE 2 FOR PLATING.
- PLATING:
 - FOR P/N DWR-T200P-V233-93, POWER CONTACTS PLATED WITH 0.76µm (30µ") GOLD OVER 1.27µm (50µ") NICKEL
 - FOR P/N DWR-T200P-V236-93, POWER CONTACTS PLATED WITH 5.08µm (200µ") SILVER OVER 1.00µm (39µ") NICKEL
- WHEN MATING WITH SOCKET CONNECTOR P/N DWR-T200S-V23X-91 OR DWR-T200S-V23X-92, THE INSERTION FORCE REQUIRED WILL BE 5 KG MAX. THE WITHDRAWAL FORCE REQUIRED FOR SEPARATION WILL BE 0.7 KG MIN, 3 KG MAX. THE ORDER OF MECHANICAL AND ELECTRICAL ENGAGEMENT IS A) HOUSING BLADES, B) HOUSING SHROUD AND C) POWER CONTACTS.
- THREADED TERMINATION AND BLIND MOUNTING HOLES DESIGNED FOR ASSEMBLY ONTO 1.57mm [.062"] THICK PCB; 0.56 N.m (5 in.lbs) MAXIMUM TORQUE TO BE APPLIED TO CONTACT SCREWS, 1.47 N.m (13 in.lbs) MAXIMUM TORQUE TO BE APPLIED TO THREAD FORMING SCREWS.
- ELECTRICAL CHARACTERISTICS
 - CURRENT RATING: 40A PER CONTACT
 - OPERATING TEMPERATURE: -55C TO +105C
 - DIELECTRIC WITHSTANDING VOLTAGE: 1500VDC
 - INSULATION RESISTANCE: 5000 MEGAOHMS
- UL FILE NUMBER: E64911



THIS DOCUMENT CONTAINS PROPRIETARY INFORMATION AND SUCH INFORMATION MAY NOT BE DISCLOSED TO OTHERS FOR ANY PURPOSE OR USED FOR MANUFACTURING PURPOSES WITHOUT WRITTEN PERMISSION FROM AMPHENOL CANADA CORP.

UNLESS SPECIFIED OTHERWISE	DRAWN	S.CAELERS	NOV17/10
PRIMARY UNITS MILLIMETERS	CHECKED		
SECONDARY INCHES	M.E. APP'D		
REFERENCE IN PARENTHESES	Q.A. APP'D		
GENERAL TOLERANCES	DWG APPR.		
1 DECIMAL PLACE	ENG. REL. NO.	EAR 13802	
2 DECIMAL PLACES ±0.100	REF.		
3 DECIMAL PLACES	THIRD ANGLE PROJECTION		
ANGULAR DEGREES	DO NOT SCALE DRAWING		

Amphenol Canada Corp.

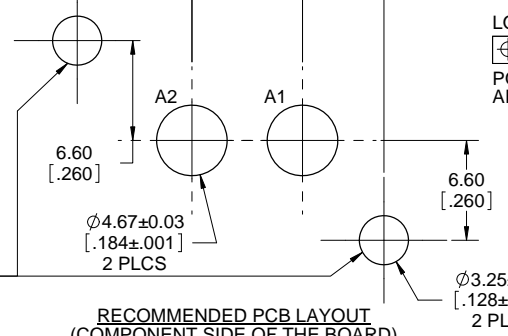
DWR SERIES SLIM DRAWER, 2 POWER EXTENDED PIN CONNECTOR, SIZE 10 CONTACTS, SPECIAL .288" PITCH, THREADED TERMINATION, RoHS COMPLIANT

DWG. NO. **P-DWR-T200P-V23X-93** REV **J**

CODE ID NO. 03554 | DWG SIZE: X | SCALE: 2:1 | SHEET 1 OF 2

REVISIONS			
REV	DESCRIPTION, ECN, EAR NO.	DATE	APP'D
E	FINAL DESIGN	JAN11/11	
F	UPDATED DESIGN (EAR 13839)	MAR02/11	
G	SPEC UPDATED (EAR 13936)	AUG23/11	S.M
H	TOLERANCES ADDED	FEB1/12	S.M
J	UL FILE NUMBER ADDED	MAR26/12	S.M

7.59 [.299] 7.32 [.288] 5.39 [.212]

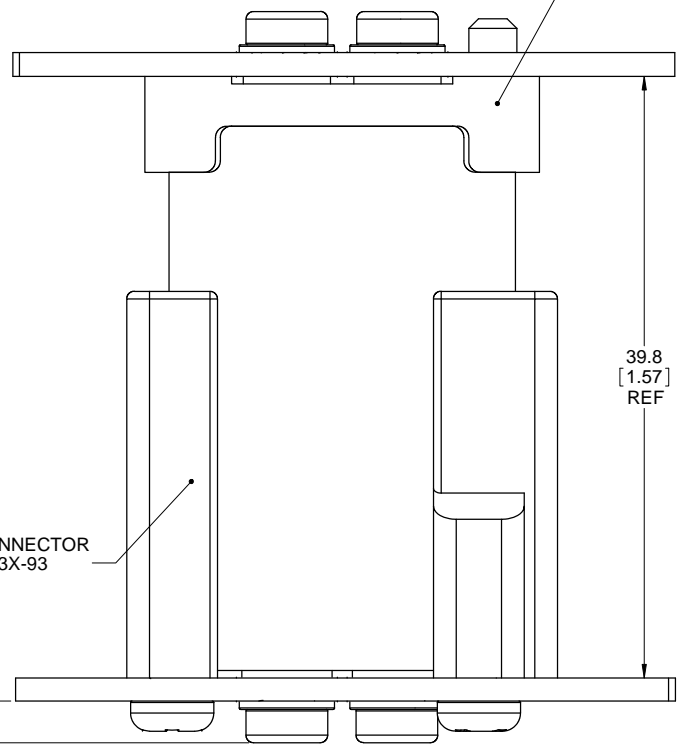
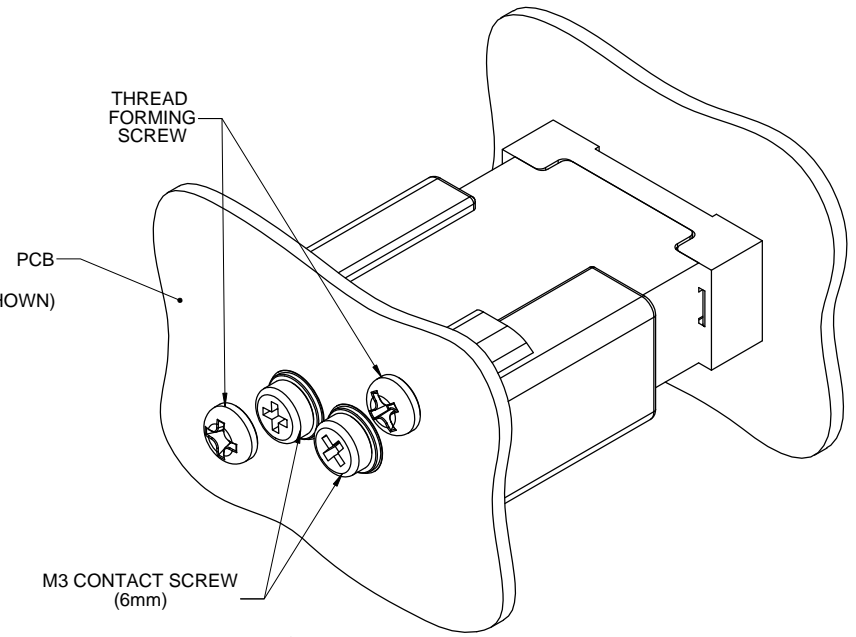


LOCATE HOLES
 $\varnothing 0.13[.005]$ DIA
 POSITION DIMENSIONS ARE BASIC

HOLES WILL CLEAR
 THREAD FORMING SCREW
 PLATING NOT REQUIRED.

RECOMMENDED PCB LAYOUT
 (COMPONENT SIDE OF THE BOARD)
 SCALE 4:1

MATING SOCKET
 P/N DWR-T200S-V23X-91 (SHOWN)
 OR P/N DWR-T200S-V23X-92



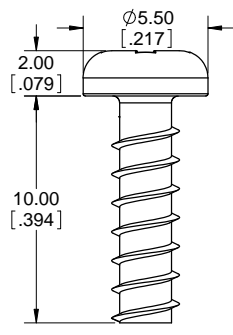
EXTENDED PIN CONNECTOR
 P/N DWR-T200P-V23X-93

39.8 [1.57] REF

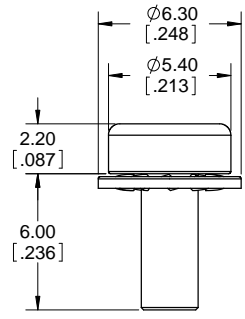
1.57 [.062] PCB THICKNESS

MATED ASSEMBLY
 MOUNTED ON .060" PCB
 SIDE VIEW
 SCALE 4:1

M3 CONTACT SCREW (6mm)



THREAD FORMING SCREW (REF)



M3 CONTACT SCREW 6mm WITH LOCKING WASHER

MOUNTING HARDWARE
 SCALE 6:1



UNLESS SPECIFIED OTHERWISE	DRAWN	S.CAELERS	NOV17/10
PRIMARY UNITS MILLIMETERS	CHECKED		
SECONDARY UNITS INCHES	M.E. APP'D		
REFERENCE IN PARENTHESES	Q.A. APP'D		
GENERAL TOLERANCES	DWG APPR.		
1 DECIMAL PLACE	ENG. REL. NO.	EAR 13802	
2 DECIMAL PLACES ±0.100	REF.		
3 DECIMAL PLACES	THIRD ANGLE PROJECTION		
ANGULAR DEGREES	DO NOT SCALE DRAWING		

Amphenol Canada Corp.

DWR SERIES SLIM DRAWER, 2 POWER
 EXTENDED PIN CONNECTOR, SIZE 10
 CONTACTS, SPECIAL .288" PITCH,
 THREADED TERMINATION, RoHS COMPLIANT

DWG. NO.	P-DWR-T200P-V23X-93	REV	J
CODE ID NO.	03554	DWG SIZE:	X
SCALE:	2:1	SHEET	2 OF 2

THIS DOCUMENT CONTAINS PROPRIETARY INFORMATION AND SUCH INFORMATION MAY NOT BE DISCLOSED TO OTHERS FOR ANY PURPOSE OR USED FOR MANUFACTURING PURPOSES WITHOUT WRITTEN PERMISSION FROM AMPHENOL CANADA CORP.

X-ON Electronics

Largest Supplier of Electrical and Electronic Components

Click to view similar products for [Power to the Board](#) category:

Click to view products by [Amphenol](#) manufacturer:

Other Similar products are found below :

[6450171-4](#) [6450552-7](#) [6600323-8](#) [6643429-1](#) [6646040-2](#) [6651939-1](#) [6766604-1](#) [120959-1](#) [1393557-2](#) [1393532-2](#) [1393532-3](#) [1393532-4](#)
[1393557-1](#) [1600812-5](#) [1-6450861-2](#) [1744132-7](#) [1761122-1](#) [1766250-1](#) [1892109-1](#) [2-6450860-5](#) [2-6450870-0](#) [1-6450161-4](#) [1-6450850-6](#) [1-](#)
[6450869-6](#) [1645526-2](#) [1-6600130-0](#) [2005243-2](#) [TE34-12-16P-F0](#) [5-6450830-6](#) [5646956-4](#) [4-6450830-9](#) [4-6600333-3](#) [10125416-4050LF](#)
[6600320-3](#) [3-6450860-5](#) [1888123-2](#) [6450166-1](#) [6643978-1](#) [6766605-1](#) [N11444](#) [6651938-1](#) [6450810-7](#) [46437-1112](#) [1-1589677-8](#) [5646956-5](#)
[6450813-2](#) [6450129-4](#) [1645523-1](#) [PSS-06-01-T-S](#) [0465621864](#)