

AB

C

D

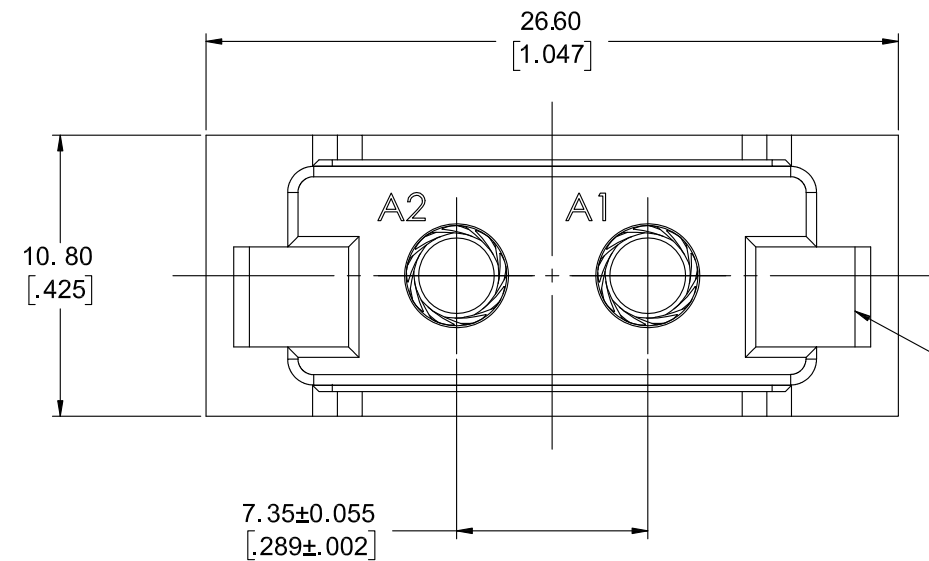
E

F

GH

REVISIONS

REV	DESCRIPTION, ECN, EAR NO.	DATE	APP'D
P	ADDED 34MM MATED HEIGHT OPTION	NOV02/18	S.M.
Q	ADDED 25MM MATED HEIGHT OPTION	DEC17/18	S.M.
R	ADDED 24MM MATED HEIGHT OPTION	JUL22/19	YH



SLOT ACCEPTS PIN CONNECTOR HOUSING BLADE LOCATED OFF CENTER TO PREVENT IMPROPER MATING

**PART NUMBER:**

**DWR - T 2 00 S - M X X 6**

**SERIES**

DWR

**PRODUCT TYPE**

T = SLIMDRAWER FINISHED CONNECTOR

**NUMBER OF POWER CONTACT POSITIONS**

**NUMBER OF SIGNAL CONTACT POSITIONS**

**GENDER**

S = SOCKET (FEMALE)

**ORIENTATION**

M = MEZZANINE

**CONTACT OPTIONS**

1 = 3.6mm RADSOK POWER

RADIAL FLOAT: 0.075mm

2 = 3.0mm ST RADSOK POWER,

RADIAL FLOAT: 0.375mm

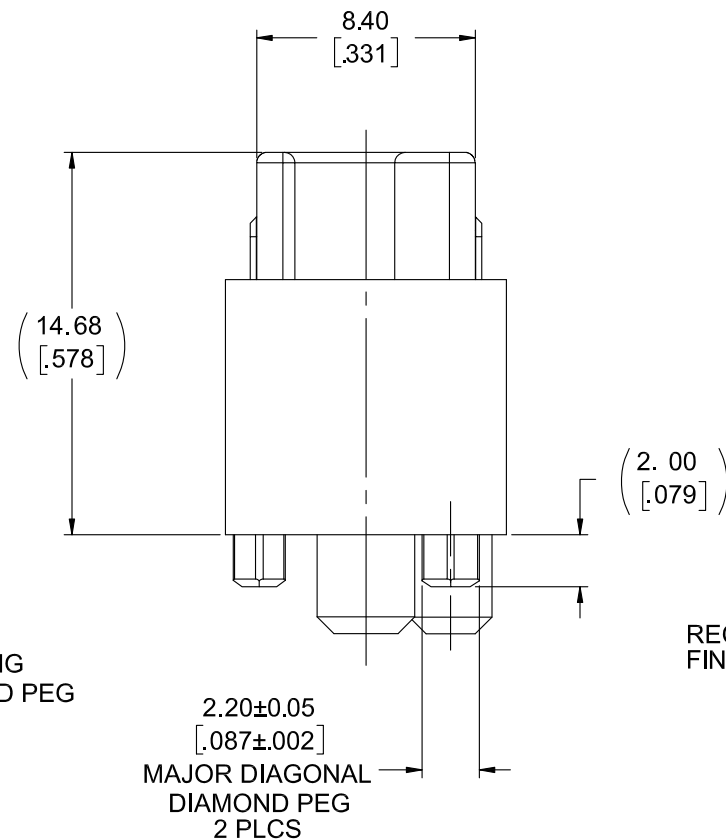
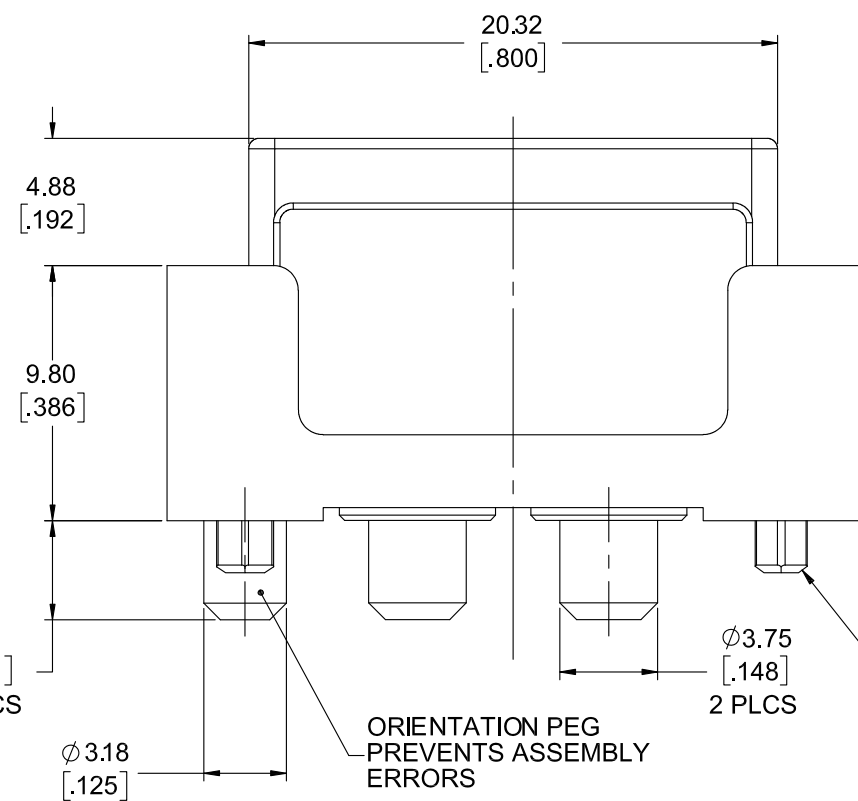
**CONTACT TERMINATION**

3 = PCB TAIL

4 = PCB TAIL WITH LOCATING PINS

**PLATING OPTIONS**

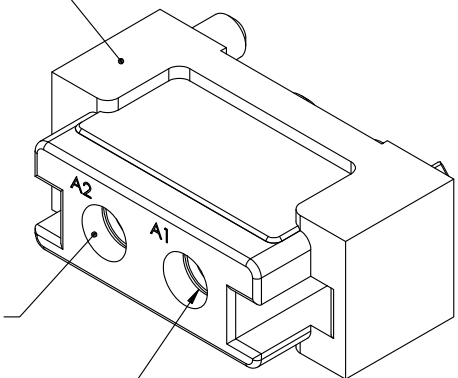
6 = 5.08µm [200µ"] SILVER



SOCKET HOUSING

RECESSED SOCKETS FOR IP20 FINGER PROOF PROTECTION

SOCKET CONTACT



**NOTES:**

- MATERIALS:** ALL MATERIALS ARE RoHS COMPLIANT PER EU DIRECTIVE 2011/65/EC AND AMENDMENTS.
  - HOUSING: ENGINEERING THERMOPLASTIC, UL FLAMMABILITY RATING 94V-0, COLOUR BLACK
  - POWER CONTACTS: COPPER ALLOY PLATED WITH 5.08µm (200µ") SILVER OVER 1.27µm (50µ") NICKEL
- WHEN MATED WITH SOCKET CONNECTOR P/N DWR-T200P-MXX6-XX, THE ORDER OF MECHANICAL AND ELECTRICAL ENGAGEMENT IS A) HOUSING BLADES, B) HOUSING SHROUD, C) POWER CONTACTS
- ELECTRICAL CHARACTERISTICS**
  - CURRENT RATING: UP TO 60A
  - DIELECTRIC WITHSTANDING VOLTAGE: 1500VDC
  - INSULATION RESISTANCE: 5000 MEGAOHMS
  - OPERATING TEMPERATURE: -55C TO +105C

THIS DOCUMENT CONTAINS PROPRIETARY INFORMATION AND SUCH INFORMATION MAY NOT BE DISCLOSED TO OTHERS FOR ANY PURPOSE OR USED FOR MANUFACTURING PURPOSES WITHOUT WRITTEN PERMISSION FROM AMPHENOL CANADA CORP.

UNLESS SPECIFIED OTHERWISE	DRAWN	SANDY.X	JUL22/19
PRIMARY UNITS MILLIMETERS	CHECKED	RZ	JUL22/19
SECONDARY INCHES	M.E. APP'D		
REFERENCE IN PARENTHESIS	Q.A. APP'D		
GENERAL TOLERANCES	DWG APPR.		
1 DECIMAL PLACE	ENG. REL. NO.		
2 DECIMAL PLACE S ±0.25	REF.		
3 DECIMAL PLACE S	THIRD ANGLE PROJECTION		
ANGULAR DEGREES	DO NOT SCALE DRAWING		

Amphenol Canada Corp.  
www.amphenolcanada.com

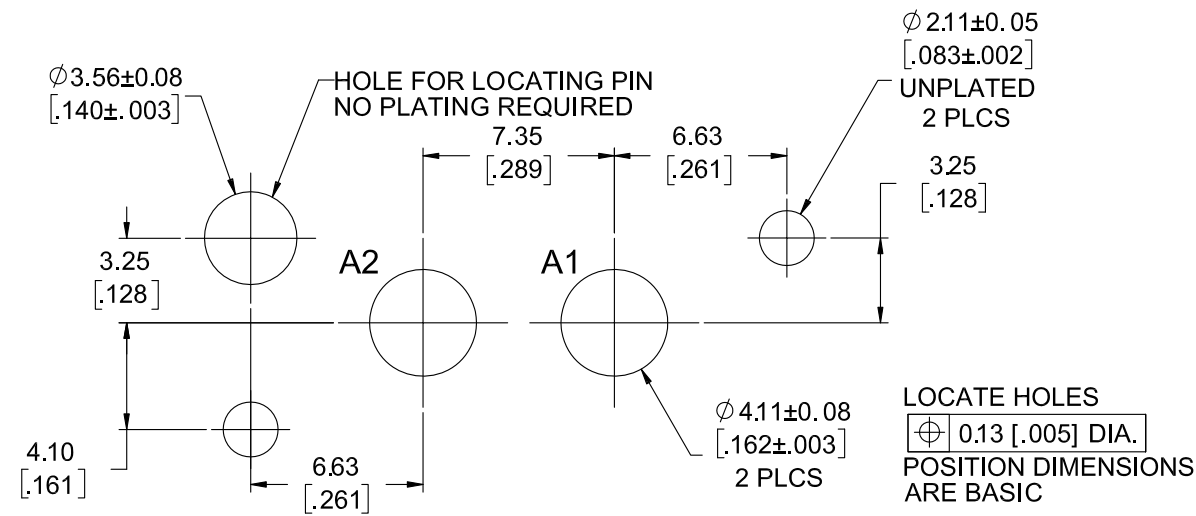
**DWR SERIES SLIM DRAWER, 2 POWER SOCKET MEZZANINE CONNECTOR, STANDARD HEIGHT, 3.0 / 3.6mm RADSOK, PCB TAIL, RoHS COMPLIANT**

**P-DWR-T200S-MXX6**

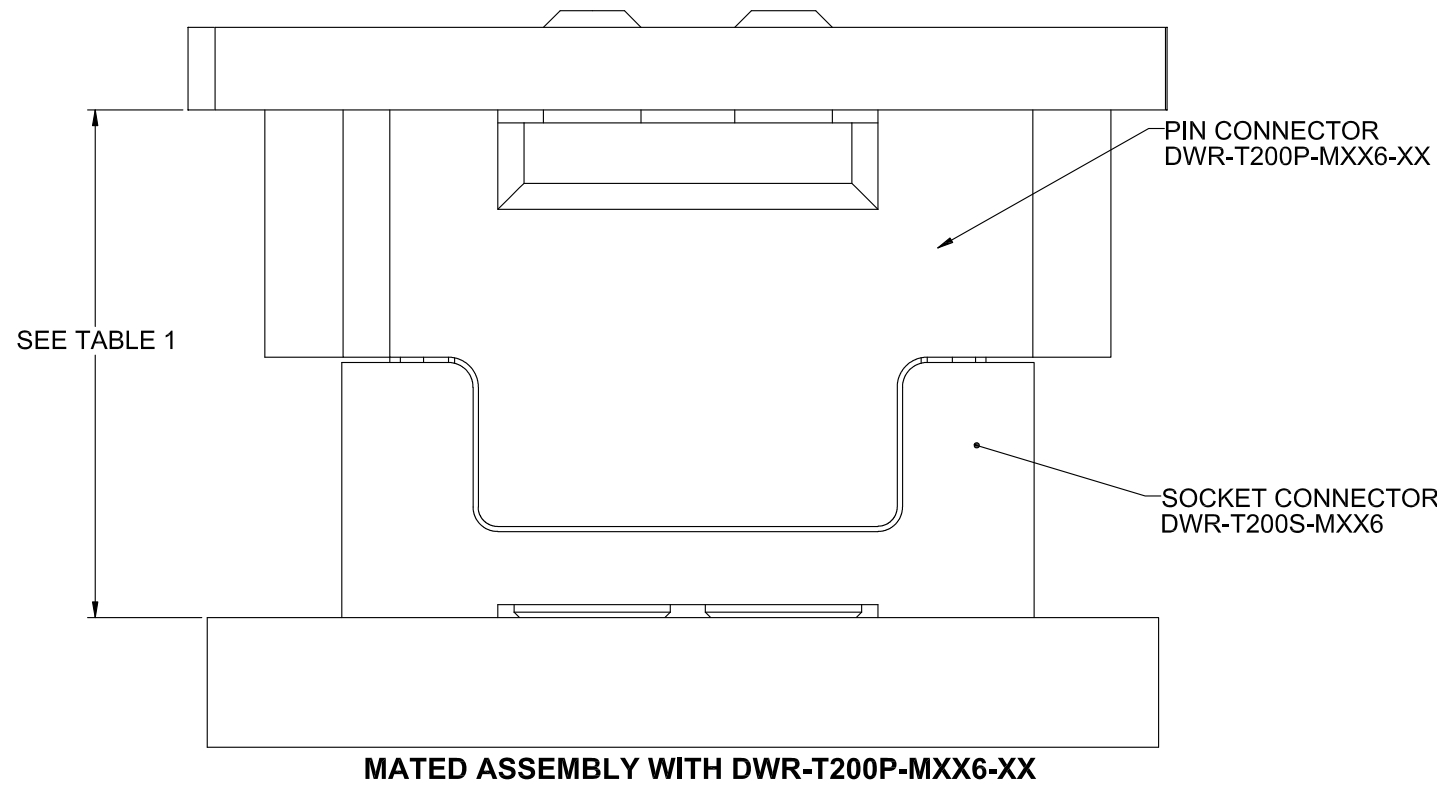
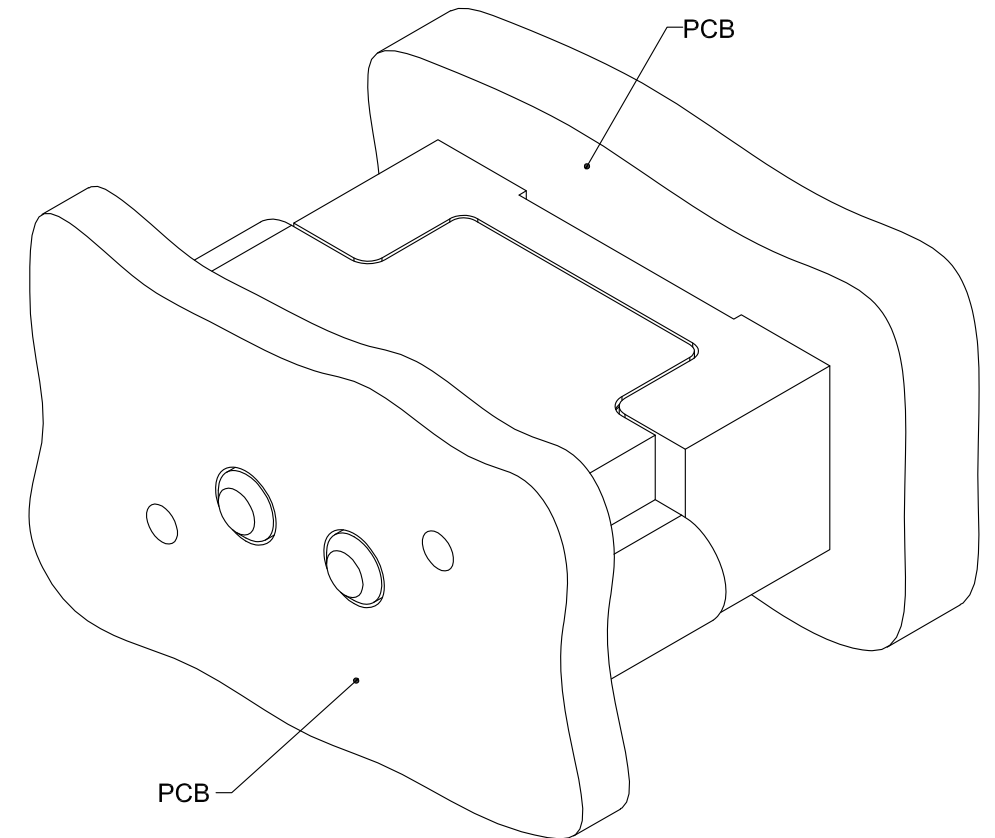
REV R

CODE ID NO. 03554 DWG SIZE: X SCALE: 5:1 SHEET 1 OF 2

REVISIONS			
REV	DESCRIPTION, ECN, EAR NO.	DATE	APP'D
SEE SHEET 1/2			



**RECOMMENDED PCB LAYOUT**  
COMPONENT SIDE OF BOARD



**MATED ASSEMBLY WITH DWR-T200P-MXX6-XX**

**TABLE 1 - CONNECTOR HEIGHT**

DWR-T200P-MXX6- <u>XX</u>	10	11	12	13	14	15	16	17	18	19	20	21	22	23	24	25	26
MATED HEIGHT	19.50 [.768]	20.00 [.787]	23.00 [.906]	26.00 [1.024]	27.00 [1.063]	28.00 [1.102]	30.00 [1.181]	30.50 [1.201]	32.00 [1.260]	35.00 [1.378]	38.00 [1.469]	40.00 [1.575]	42.00 [1.654]	22.00 [.866]	34.00 [1.339]	25.00 [0.984]	24.00 [0.945]



UNLESS SPECIFIED OTHERWISE	DRAWN	SANDY.X	JUL22/19
PRIMARY UNITS MILLIMETERS	CHECKED	RZ	JUL22/19
SECONDARY INCHES	M.E. APP'D		
REFERENCE IN PARENTHESES	Q.A. APP'D		
GENERAL TOLERANCES	DWG APPR.		
1 DECIMAL PLACE	ENG. REL. NO.		
2 DECIMAL PLACE S ±0.25	REF.		
3 DECIMAL PLACE S	THIRD ANGLE PROJECTION		DO NOT SCALE DRAWING
ANGULAR DEGREES			

Amphenol Canada Corp.  
www.amphenolcanada.com

**DWR SERIES SLIM DRAWER, 2 POWER SOCKET MEZZANINE CONNECTOR, STANDARD HEIGHT, 3.0 / 3.6mm RADSOK, PCB TAIL, RoHS COMPLIANT**

DWG. NO.	<b>P-DWR-T200S-MXX6</b>	REV	<b>R</b>
CODE ID NO. 03554	DWG SIZE: X	SCALE: 5:1	SHEET 2 OF 2

## X-ON Electronics

Largest Supplier of Electrical and Electronic Components

*Click to view similar products for [Power to the Board](#) category:*

*Click to view products by [Amphenol](#) manufacturer:*

Other Similar products are found below :

[6450552-7](#) [6643429-1](#) [6646040-2](#) [6766604-1](#) [120959-1](#) [1393557-2](#) [1393532-2](#) [1393532-3](#) [1393532-4](#) [1393557-1](#) [1744132-7](#) [1766250-1](#)  
[1892109-1](#) [1-6450850-6](#) [1-6450869-6](#) [1645526-2](#) [2005243-2](#) [377-0020-11130](#) [MC116N](#) [TE34-12-16P-F0](#) [51700-10201602AALF](#) [51970-004](#) [5-6450830-6](#) [4-6600333-3](#) [10125416-4050LF](#) [10130248-005LF](#) [6600320-3](#) [IPBT-103-H1-T-S-RA](#) [1888123-2](#) [6766605-1](#) [701-15-02109](#)  
[6450810-7](#) [46437-1112](#) [6450813-2](#) [6450842-4](#) [10108877-R24403SLF](#) [1645523-1](#) [PSS-06-01-T-S](#) [FWS-03-04-T-S](#) [51760-10301603ABLF](#)  
[MDF6-TA2022HC](#) [FWS-05-01-T-S](#) [51720-10206002AALF](#) [QE-POL-KEY](#) [FWS-08-01-T-S](#) [698-0075-04](#) [6651670-1](#) [MC120N](#) [2-1600788-6](#)  
[1761385-3](#)