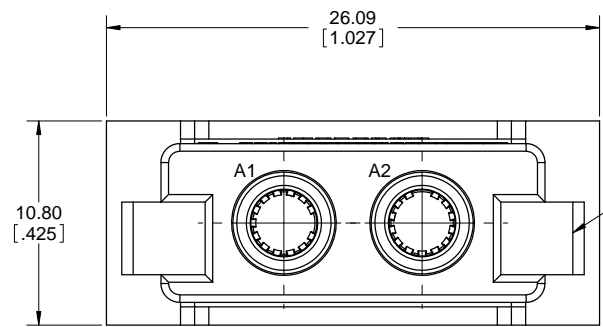
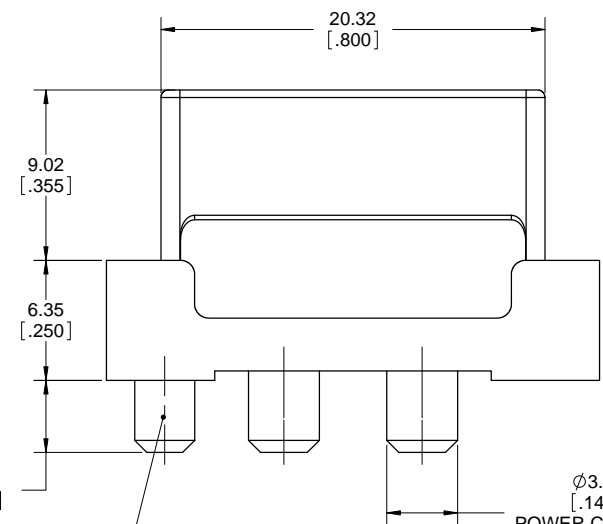




REVISIONS			
REV	DESCRIPTION, ECN, EAR NO.	DATE	APP'D
A	PROPOSAL DWG (EAR 13803)	NOV18/10	
B	UPDATE (EAR 13812)	DEC03/10	
C	UPDATE WITH FINAL DESIGN	JAN13/11	
D	SPEC UPDATE (EAR 13936)	AUG23/11	S.M
E	TOLERANCES ADDED	FEB1/12	S.M
F	UL FILE NUMBER ADDED	MAR26/12	S.M
G	UPDATED WITH MACHINED CB HOLDER	DEC06/12	S.M

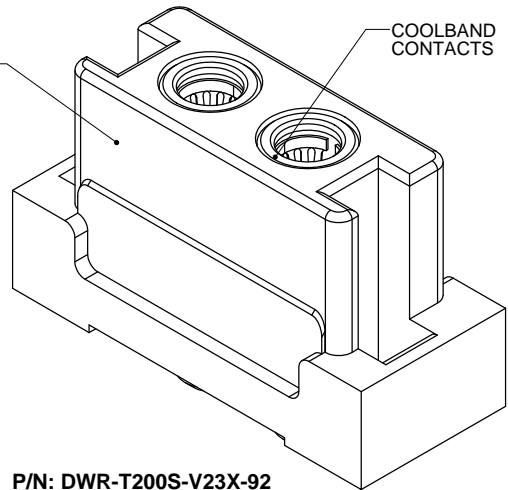
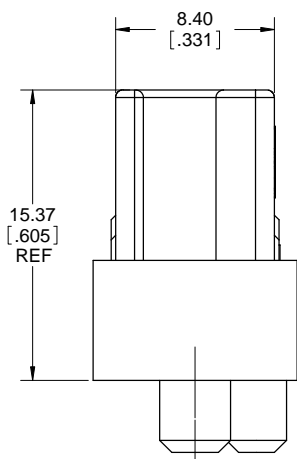


SLOT ACCEPTS PIN CONNECTOR HOUSING BLADE LOCATED OFF CENTER TO PREVENT IMPROPER MATING

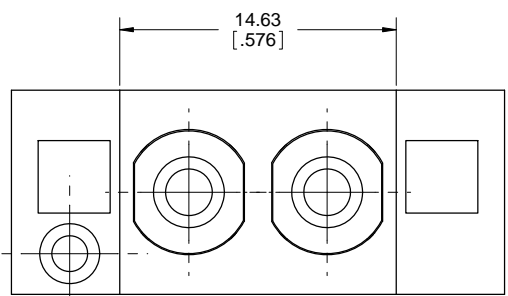


Ø3.75 [.148]  
POWER CONTACT TAILS (2 PLACES)

ORIENTATION PEG PREVENTS ASSEMBLY ERRORS



**P/N: DWR-T200S-V23X-92**



NOTES:

- MATERIALS: ALL MATERIALS ARE RoHS COMPLIANT PER EU DIRECTIVE 2002/95/EC AND AMENDMENTS.
  - HOUSING: HIGH TEMPERATURE RESISTANT NYLON, UL FLAMMABILITY RATING 94V-0, COLOUR BLACK
  - POWER CONTACTS: BERYLLIUM COPPER COOLBAND MATING GRID, TELLURIUM COPPER ALLOY BALANCE.
- PLATING:
  - FOR P/N DWR-T200S-V233-92, MATING GRID PLATED WITH 0.76µm (30µ") GOLD OVER 1.27µm (50µ") NICKEL, 2.54µm (100µ") MATTE TIN BALANCE.
  - FOR P/N DWR-T200S-V236-92, MATING GRID PLATED WITH 5.08µm (200µ") SILVER OVER 1.27µm (50µ") NICKEL, SILVER OVER NICKEL BALANCE.
- WHEN MATING WITH PIN CONNECTOR P/N DWR-T200P-V23X-94 OR DWR-T200P-V23X-93, THE INSERTION FORCE REQUIRED WILL BE 5 KG MAX. THE WITHDRAWAL FORCE REQUIRED FOR SEPARATION WILL BE 0.7 KG MIN, 3 KG MAX. THE ORDER OF MECHANICAL AND ELECTRICAL ENGAGEMENT IS A) HOUSING BLADES, B) HOUSING SHROUD AND C) POWER CONTACTS
- ELECTRICAL CHARACTERISTICS
  - CURRENT RATING: 40A PER CONTACT
  - OPERATING TEMPERATURE: -55C TO +105
  - DIELECTRIC WITHSTANDING VOLTAGE: 1500VDC
  - INSULATION RESISTANCE: 5000 MEGAOHMS
- UL FILE NUMBER: E64911

THIS DOCUMENT CONTAINS PROPRIETARY INFORMATION AND SUCH INFORMATION MAY NOT BE DISCLOSED TO OTHERS FOR ANY PURPOSE OR USED FOR MANUFACTURING PURPOSES WITHOUT WRITTEN PERMISSION FROM AMPHENOL CANADA CORP.

UNLESS SPECIFIED OTHERWISE	DRAWN	S.CAELERS	NOV18/10
PRIMARY UNITS MILLIMETERS	CHECKED		
SECONDARY INCHES	M.E. APP'D		
REFERENCE IN PARENTHESES	Q.A. APP'D		
GENERAL TOLERANCES	DWG APPR.		
1 DECIMAL PLACE	ENG. REL. NO.	EAR 13803	
2 DECIMAL PLACES ±0.100	REF.		
3 DECIMAL PLACES	THIRD ANGLE PROJECTION		
ANGULAR DEGREES	DO NOT SCALE DRAWING		

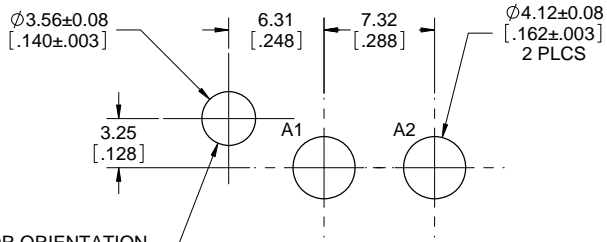
**Amphenol Canada Corp.**

DWR SERIES SLIM DRAWER, 2 POWER SOCKET CONNECTOR, SIZE 10 COOL POWER, SPECIAL .288" PITCH, PCB TAILS, RoHS COMPLIANT

DWG. NO. **P-DWR-T200S-V23X-92** REV **G**

CODE ID NO. 03554 | DWG SIZE: X | SCALE: 5:1 | SHEET 1 OF 2

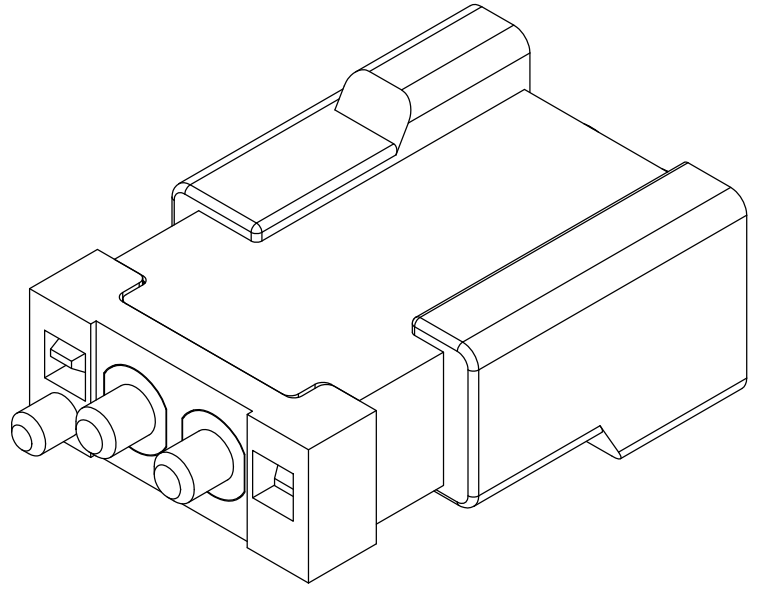
REVISIONS			
REV	DESCRIPTION, ECN, EAR NO.	DATE	APP'D
A	PROPOSAL DWG (EAR 13803)	NOV18/10	
B	UPDATE (EAR 13812)	DEC03/10	
C	UPDATE WITH FINAL DESIGN	JAN13/11	
D	SPEC UPDATE (EAR 13936)	AUG23/11	S.M
E	TOLERANCES ADDED	FEB1/12	S.M
F	UL FILE NUMBER ADDED	MAR26/12	S.M
G	UPDATED WITH MACHINED CB HOLDER	DEC06/12	S.M



LOCATE HOLES  
 $\phi 0.13 [0.005]$  DIA  
 POSITION DIMENSIONS ARE BASIC

CONNECTOR ORIENTATION HOLE DOES NOT REQUIRE PLATING

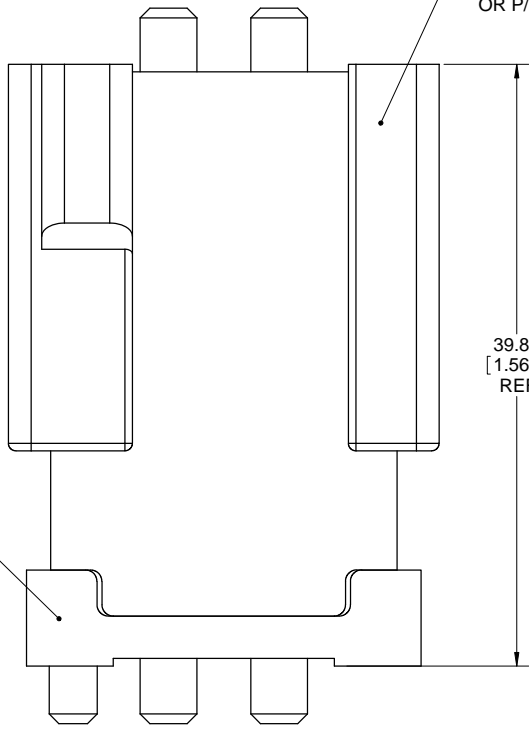
**RECOMMENDED PCB LAYOUT**  
 (COMPONENT SIDE OF BOARD)  
 SCALE 4:1



MATING PIN  
 P/N DWR-T200P-V23X-94 (SHOWN)  
 OR P/N DWR-T200P-V23X-93

39.80  
 [1.567]  
 REF

SOCKET CONNECTOR  
 P/N DWR-T200S-V23X-92



**MATED ASSEMBLY**  
 SIDE VIEW  
 SCALE 4:1



UNLESS SPECIFIED OTHERWISE	DRAWN	S.CAELERS	NOV18/10
PRIMARY UNITS MILLIMETERS	CHECKED		
SECONDARY INCHES	M.E. APP'D		
REFERENCE IN PARENTHESES	Q.A. APP'D		
GENERAL TOLERANCES	DWG APPR.		
1 DECIMAL PLACE	ENG. REL. NO.	EAR 13803	
2 DECIMAL PLACES $\pm 0.100$	REF.		
3 DECIMAL PLACES	THIRD ANGLE PROJECTION		DO NOT SCALE DRAWING
ANGULAR DEGREES			

**Amphenol Canada Corp.**

DWR SERIES SLIM DRAWER, 2 POWER SOCKET CONNECTOR, SIZE 10 COOL POWER, SPECIAL .288" PITCH, PCB TAILS, RoHS COMPLIANT

DWG. NO. **P-DWR-T200S-V23X-92** REV **G**

CODE ID NO. 03554 DWG SIZE: X SCALE: 5:1 SHEET 2 OF 2

## X-ON Electronics

Largest Supplier of Electrical and Electronic Components

*Click to view similar products for [Power to the Board](#) category:*

*Click to view products by [Amphenol](#) manufacturer:*

Other Similar products are found below :

[6450171-4](#) [6450552-7](#) [6600323-8](#) [6643429-1](#) [6646040-2](#) [6651939-1](#) [6766604-1](#) [120959-1](#) [1393557-2](#) [1393532-2](#) [1393532-3](#) [1393532-4](#)  
[1393557-1](#) [1600812-5](#) [1-6450861-2](#) [1744132-7](#) [1761122-1](#) [1766250-1](#) [1892109-1](#) [2-6450860-5](#) [2-6450870-0](#) [1-6450161-4](#) [1-6450850-6](#) [1-](#)  
[6450869-6](#) [1645526-2](#) [1-6600130-0](#) [2005243-2](#) [TE34-12-16P-F0](#) [5-6450830-6](#) [5646956-4](#) [4-6450830-9](#) [4-6600333-3](#) [10125416-4050LF](#)  
[6600320-3](#) [3-6450860-5](#) [1888123-2](#) [6450166-1](#) [6643978-1](#) [6766605-1](#) [N11444](#) [6651938-1](#) [6450810-7](#) [46437-1112](#) [1-1589677-8](#) [5646956-5](#)  
[6450813-2](#) [6450129-4](#) [1645523-1](#) [PSS-06-01-T-S](#) [0465621864](#)