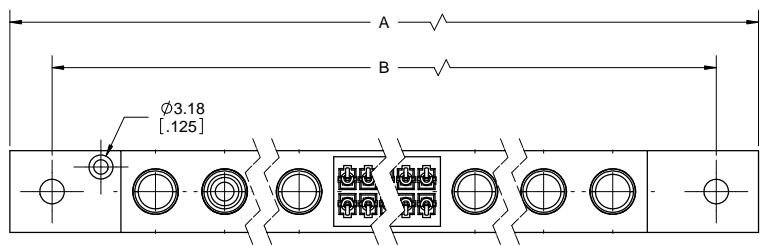
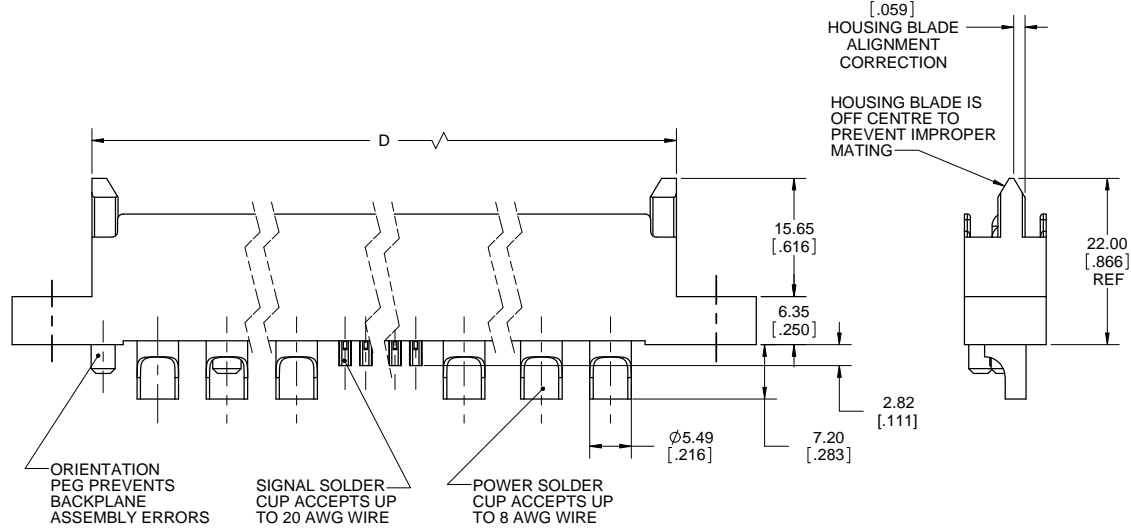
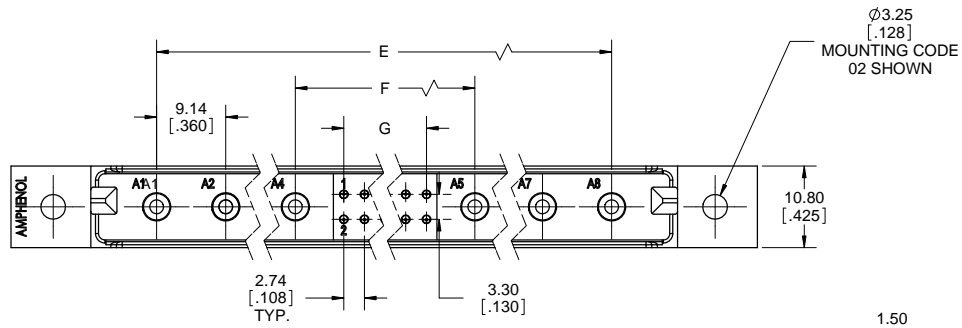


REVISIONS			
REV	DESCRIPTION, ECN, EAR NO.	DATE	APPD
A	PROPOSAL DRAWING	APR11/11	A.G
B	GUIDE PIN UPDATE (EAR14097)	JUN19/12	S.M.
C	REMOVE 10 PWR CONTACT OPTION	JUL12/12	S.M.



**PART NUMBER:** DWR - T X XX P - V X 1 X - 0X

**SERIES:** DWR

**PRODUCT TYPE:** T = SLIMDRAWER FINISHED CONNECTOR

**NUMBER OF POWER CONTACT POSITIONS:** 2, 4, 6, 8 OR A = 10

**NUMBER OF SIGNAL CONTACT POSITIONS:** 00, 04, 06, 08, 10 ... 40

**GENDER:** P = PIN (MALE)

**ORIENTATION:** V = VERTICAL

**CONTACT OPTIONS:**  
 2 = POWER PIN SIZE CB8 (Ø3.50mm)  
 3 = POWER PIN SIZE CB10 (Ø3.00mm)  
 STD SIGNAL

**CONTACT TERMINATION:**  
 1 = SOLDER CUP TAILS: POWER 8 AWG, SIGNAL 20 AWG

**PLATING OPTIONS:**  
 2 = 0.38µm [15µ"] GOLD  
 3 = 0.76µm [30µ"] GOLD  
 6 = 5.08µm [200µ"] SILVER POWER, 0.38µm [15µ"] GOLD SIGNAL

**MOUNTING OPTION:**  
 00 = NO MOUNTING FEATURE  
 01 = NO MOUNTING EARS  
 02 = 3.25mm [0.128"] DIA THROUGH HOLE  
 04 = #4-40 THREADED HOLE  
 06 = M3 THREADED HOLE  
 08 = GUIDE PINS

**SPECIAL CONFIGURATIONS**  
 SPECIAL CODE DESIGNATIONS ARE RESERVED FOR SPECIAL CONFIGURATIONS. CONTACT AUTHORIZED AMPHENOL REPRESENTATIVE FOR DETAILS.

- NOTES:**
- MATERIALS: ALL MATERIALS ARE RoHS COMPLIANT PER EU DIRECTIVE 2002/95/EC AND AMENDMENTS  
 - HOUSING: HIGH TEMPERATURE RESISTANT NYLON, UL FLAMMABILITY RATING 94V-0, COLOUR BLACK  
 - SIGNAL CONTACTS: PHOSPHOR BRONZE PLATED WITH GOLD OVER 1.27µm (50µ") NICKEL ON THE MATING AREA AND 2.54µm (100µ") MATTE TIN OVER NICKEL ON THE TAILS  
 - POWER CONTACTS: COPPER ALLOY PLATED WITH GOLD OR SILVER OVER 1.27µm (50µ") MIN NICKEL
  - WHEN MATED WITH SOCKET CONNECTOR DWR-TXXS-VXXX-XX, THE ORDER OF MECHANICAL AND ELECTRICAL ENGAGEMENT IS A) HOUSING BLADES, B) HOUSING SHROUD, C) POWER CONTACTS AND D) SIGNAL CONTACTS.
  - RATINGS SUBJECT TO DESIGN QUALIFICATION TESTING  
 - CURRENT RATING: UP TO 55A POWER, 5A SIGNAL  
 - INSULATION RESISTANCE: 5000 MEGAOHMS  
 - DIELECTRIC WITHSTANDING VOLTAGE: 1500V DC  
 - OPERATING TEMPERATURE: -55C TO +105C



UNLESS SPECIFIED OTHERWISE	DRAWN S.CAELERS	APR06/11
PRIMARY UNITS MILLIMETERS	CHECKED A.GREEN	APR11/11
SECONDARY INCHES	M.E. APPD	
REFERENCE IN PARENTHESES	Q.A. APPD	
GENERAL TOLERANCES	DWG APPR.	
1 DECIMAL PLACE	ENG. REL. NO.	
2 DECIMAL PLACES	REF.	
3 DECIMAL PLACES	THIRD ANGLE PROJECTION	DO NOT SCALE DRAWING
ANGULAR DEGREES		

**Amphenol Canada Corp.**

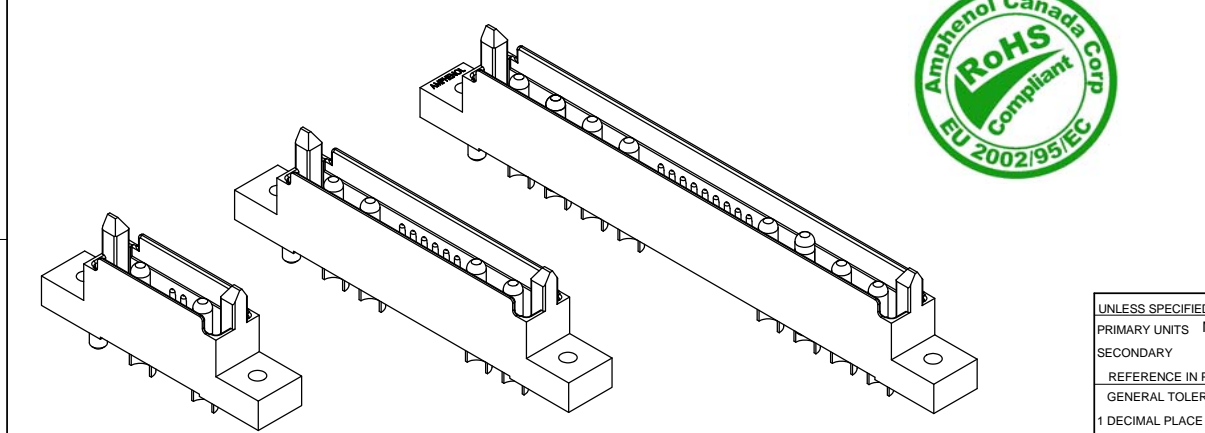
DWR SERIES SLIM DRAWER PIN CONNECTOR, PIN & SIGNAL CONTACTS, SOLDER CUP TAILS (POWER: 8 AWG, SIGNAL: 20 AWG), RoHS COMPLIANT

DWG. NO. **P-DWR-TXXXP-VX1X-0X** REV **C**

CODE ID NO. 03554 DWG SIZE: C SCALE: 2:1 SHEET 1 OF 2

Pin Connector Part number	Number of Power Contacts	Number of Signal Contacts	"A"		"B"		"C"		"D"		"E"		"F"		"G"	
			Overall Length		Mounting Hole Centrelines		Length Without Mounting Ears		Pin Body Length		Outside Power Centrelines		Inside Power Centrelines		Outside Signal Centrelines	
			mm	inch	mm	inch	mm	inch	mm	inch	mm	inch	mm	inch	mm	inch
DWR-T200P-VXXX-XX	2	0	47.70	1.878	36.53	1.438	29.75	1.171	26.57	1.046	9.14	0.360	9.14	0.360	---	---
DWR-T204P-VXXX-XX	2	4	54.10	2.130	42.93	1.690	36.15	1.423	32.97	1.298	15.54	0.612	15.54	0.612	2.74	0.108
DWR-T208P-VXXX-XX	2	8	59.59	2.346	48.41	1.906	41.63	1.639	38.46	1.514	21.03	0.828	21.03	0.828	8.23	0.324
DWR-T212P-VXXX-XX	2	12	65.07	2.562	53.90	2.122	47.12	1.855	43.94	1.730	26.52	1.044	26.52	1.044	13.72	0.540
DWR-T216P-VXXX-XX	2	16	70.56	2.778	59.39	2.338	52.61	2.071	49.43	1.946	32.00	1.260	32.00	1.260	19.20	0.756
DWR-T220P-VXXX-XX	2	20	76.05	2.994	64.87	2.554	58.09	2.287	54.91	2.162	37.49	1.476	37.49	1.476	24.69	0.972
DWR-T224P-VXXX-XX	2	24	81.53	3.210	70.36	2.770	63.58	2.503	60.40	2.378	42.98	1.692	42.98	1.692	30.18	1.188
DWR-T228P-VXXX-XX	2	28	87.02	3.426	75.84	2.986	69.06	2.719	65.89	2.594	48.46	1.908	48.46	1.908	35.66	1.404
DWR-T232P-VXXX-XX	2	32	92.51	3.642	81.33	3.202	74.55	2.935	71.37	2.810	53.95	2.124	53.95	2.124	41.15	1.620
DWR-T236P-VXXX-XX	2	36	97.99	3.858	86.82	3.418	80.04	3.151	76.86	3.026	59.44	2.340	59.44	2.340	46.63	1.836
DWR-T240P-VXXX-XX	2	40	103.48	4.074	92.30	3.634	85.52	3.367	82.35	3.242	64.92	2.556	64.92	2.556	52.12	2.052
DWR-T400P-VXXX-XX	4	0	65.99	2.598	54.81	2.158	48.03	1.891	44.86	1.766	27.43	1.080	9.14	0.360	---	---
DWR-T404P-VXXX-XX	4	4	72.39	2.850	61.21	2.410	54.43	2.143	51.26	2.018	33.83	1.332	15.54	0.612	2.74	0.108
DWR-T408P-VXXX-XX	4	8	77.88	3.066	66.70	2.626	59.92	2.359	56.74	2.234	39.32	1.548	21.03	0.828	8.23	0.324
DWR-T412P-VXXX-XX	4	12	83.36	3.282	72.19	2.842	65.41	2.575	62.23	2.450	44.81	1.764	26.52	1.044	13.72	0.540
DWR-T416P-VXXX-XX	4	16	88.85	3.498	77.67	3.058	70.89	2.791	67.72	2.666	50.29	1.980	32.00	1.260	19.20	0.756
DWR-T420P-VXXX-XX	4	20	94.34	3.714	83.16	3.274	76.38	3.007	73.20	2.882	55.78	2.196	37.49	1.476	24.69	0.972
DWR-T424P-VXXX-XX	4	24	99.82	3.930	88.65	3.490	81.87	3.223	78.69	3.098	61.26	2.412	42.98	1.692	30.18	1.188
DWR-T428P-VXXX-XX	4	28	105.31	4.146	94.13	3.706	87.35	3.439	84.18	3.314	66.75	2.628	48.46	1.908	35.66	1.404
DWR-T432P-VXXX-XX	4	32	110.79	4.362	99.62	3.922	92.84	3.655	89.66	3.530	72.24	2.844	53.95	2.124	41.15	1.620
DWR-T436P-VXXX-XX	4	36	116.28	4.578	105.11	4.138	98.33	3.871	95.15	3.746	77.72	3.060	59.44	2.340	46.63	1.836
DWR-T440P-VXXX-XX	4	40	121.77	4.794	110.59	4.354	103.81	4.087	100.63	3.962	83.21	3.276	64.92	2.556	52.12	2.052
DWR-T600P-VXXX-XX	6	0	84.28	3.318	73.10	2.878	66.32	2.611	63.14	2.486	45.72	1.800	9.14	0.360	---	---
DWR-T604P-VXXX-XX	6	4	90.68	3.570	79.50	3.130	72.72	2.863	69.55	2.738	52.12	2.052	15.54	0.612	2.74	0.108
DWR-T608P-VXXX-XX	6	8	96.16	3.786	84.99	3.346	78.21	3.079	75.03	2.954	57.61	2.268	21.03	0.828	8.23	0.324
DWR-T612P-VXXX-XX	6	12	101.65	4.002	90.47	3.562	83.69	3.295	80.52	3.170	63.09	2.484	26.52	1.044	13.72	0.540
DWR-T616P-VXXX-XX	6	16	107.14	4.218	95.96	3.778	89.18	3.511	86.00	3.386	68.58	2.700	32.00	1.260	19.20	0.756
DWR-T620P-VXXX-XX	6	20	112.62	4.434	101.45	3.994	94.67	3.727	91.49	3.602	74.07	2.916	37.49	1.476	24.69	0.972
DWR-T624P-VXXX-XX	6	24	118.11	4.650	106.93	4.210	100.15	3.943	96.98	3.818	79.55	3.132	42.98	1.692	30.18	1.188
DWR-T628P-VXXX-XX	6	28	123.60	4.866	112.42	4.426	105.64	4.159	102.46	4.034	85.04	3.348	48.46	1.908	35.66	1.404
DWR-T632P-VXXX-XX	6	32	129.08	5.082	117.91	4.642	111.13	4.375	107.95	4.250	90.53	3.564	53.95	2.124	41.15	1.620
DWR-T636P-VXXX-XX	6	36	134.57	5.298	123.39	4.858	116.61	4.591	113.44	4.466	96.01	3.780	59.44	2.340	46.63	1.836
DWR-T640P-VXXX-XX	6	40	140.06	5.514	128.88	5.074	122.10	4.807	118.92	4.682	101.50	3.996	64.92	2.556	52.12	2.052
DWR-T800P-VXXX-XX	8	0	102.57	4.038	91.39	3.598	84.61	3.331	81.43	3.206	64.01	2.520	9.14	0.360	---	---
DWR-T804P-VXXX-XX	8	4	108.97	4.290	97.79	3.850	91.01	3.583	87.83	3.458	70.41	2.772	15.54	0.612	2.74	0.108
DWR-T808P-VXXX-XX	8	8	114.45	4.506	103.28	4.066	96.50	3.799	93.32	3.674	75.90	2.988	21.03	0.828	8.23	0.324
DWR-T812P-VXXX-XX	8	12	119.94	4.722	108.76	4.282	101.98	4.015	98.81	3.890	81.38	3.204	26.52	1.044	13.72	0.540
DWR-T816P-VXXX-XX	8	16	125.43	4.938	114.25	4.498	107.47	4.231	104.29	4.106	86.87	3.420	32.00	1.260	19.20	0.756
DWR-T820P-VXXX-XX	8	20	130.91	5.154	119.74	4.714	112.96	4.447	109.78	4.322	92.35	3.636	37.49	1.476	24.69	0.972
DWR-T824P-VXXX-XX	8	24	136.40	5.370	125.22	4.930	118.44	4.663	115.27	4.538	97.84	3.852	42.98	1.692	30.18	1.188
DWR-T828P-VXXX-XX	8	28	141.88	5.586	130.71	5.146	123.93	4.879	120.75	4.754	103.33	4.068	48.46	1.908	35.66	1.404
DWR-T832P-VXXX-XX	8	32	147.37	5.802	136.19	5.362	129.41	5.095	126.24	4.970	108.81	4.284	53.95	2.124	41.15	1.620
DWR-T836P-VXXX-XX	8	36	152.86	6.018	141.68	5.578	134.90	5.311	131.72	5.186	114.30	4.500	59.44	2.340	46.63	1.836
DWR-T840P-VXXX-XX	8	40	158.34	6.234	147.17	5.794	140.39	5.527	137.21	5.402	119.79	4.716	64.92	2.556	52.12	2.052

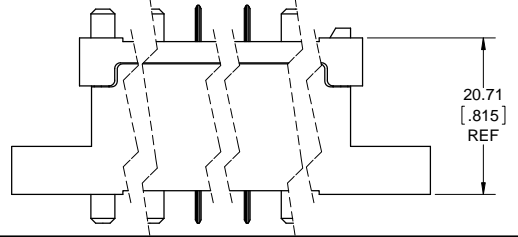
FOR INTERMEDIATE CONFIGURATIONS (NUMBER OF SIGNAL CONTACTS = 06, 10, 14, ...) DIMENSIONS CAN BE CALCULATED BY AVERAGING VALUES IMMEDIATELY BEFORE AND AFTER. FOR EXAMPLE, DIMENSIONS OF DWR-T206P-VXXX-XX CAN BE OBTAINED BY AVERAGING VALUES CORRESPONDING TO DWR-T204P-VXXX-XX AND DWR-T208P-VXXX-XX.



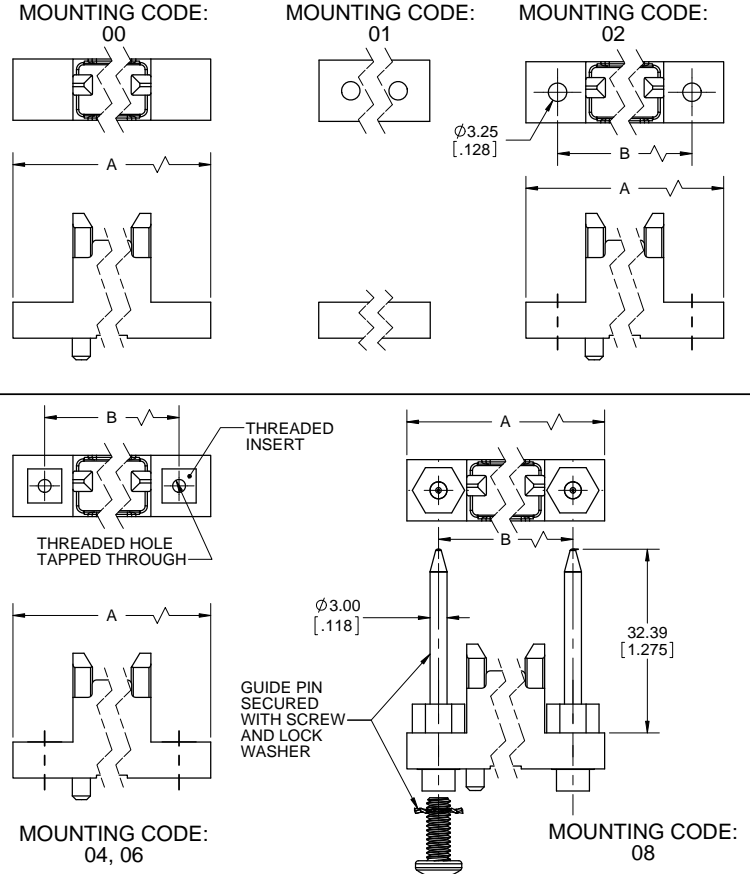
THIS DOCUMENT CONTAINS PROPRIETARY INFORMATION AND SUCH INFORMATION MAY NOT BE DISCLOSED TO OTHERS FOR ANY PURPOSE OR USED FOR MANUFACTURING PURPOSES WITHOUT WRITTEN PERMISSION FROM AMPHENOL CANADA CORP.

REVISIONS			
REV	DESCRIPTION, ECN, EAR NO.	DATE	APP'D
A	PROPOSAL DRAWING	APR11/11	A.G
B	GUIDE PIN UPDATE (EAR14097)	JUN19/12	S.M.
C	REMOVE 10 PWR CONTACT OPTION	JUL12/12	S.M.

**PIN AND SOCKET MATED ASSEMBLY**



**MOUNTING OPTIONS**



UNLESS SPECIFIED OTHERWISE	DRAWN S.CAELERS	APR06/11
PRIMARY UNITS MILLIMETERS	CHECKED A.GREEN	APR11/11
SECONDARY UNITS INCHES	M.E. APP'D	
REFERENCE IN PARENTHESES	Q.A. APP'D	
GENERAL TOLERANCES	DWG APP'R.	
1 DECIMAL PLACE	ENG. REL. NO.	
2 DECIMAL PLACES	REF.	
3 DECIMAL PLACES	THIRD ANGLE PROJECTION	DO NOT SCALE DRAWING
ANGULAR DEGREES		

**Amphenol Canada Corp.**

DWR SERIES SLIM DRAWER PIN CONNECTOR, PIN & SIGNAL CONTACTS, SOLDER CUP TAILS (POWER: 8 AWG, SIGNAL: 20 AWG), RoHS COMPLIANT

DWG. NO. **P-DWR-TXXXP-VX1X-0X** REV **C**

CODE ID NO. 03554 DWG SIZE: C SCALE: 2:1 SHEET 2 OF 2

## X-ON Electronics

Largest Supplier of Electrical and Electronic Components

*Click to view similar products for [Power to the Board](#) category:*

*Click to view products by [Amphenol](#) manufacturer:*

Other Similar products are found below :

[6450171-4](#) [6450552-7](#) [6600323-8](#) [6643429-1](#) [6646040-2](#) [6651939-1](#) [6766604-1](#) [120959-1](#) [1393557-2](#) [1393532-2](#) [1393532-3](#) [1393532-4](#)  
[1393557-1](#) [1600812-5](#) [1-6450861-2](#) [1744132-7](#) [1761122-1](#) [1766250-1](#) [1892109-1](#) [2-6450860-5](#) [2-6450870-0](#) [1-6450161-4](#) [1-6450850-6](#) [1-](#)  
[6450869-6](#) [1645526-2](#) [1-6600130-0](#) [2005243-2](#) [TE34-12-16P-F0](#) [5-6450830-6](#) [5646956-4](#) [4-6450830-9](#) [4-6600333-3](#) [10125416-4050LF](#)  
[6600320-3](#) [3-6450860-5](#) [1888123-2](#) [6450166-1](#) [6643978-1](#) [6766605-1](#) [N11444](#) [6651938-1](#) [6450810-7](#) [46437-1112](#) [1-1589677-8](#) [5646956-5](#)  
[6450813-2](#) [6450129-4](#) [1645523-1](#) [PSS-06-01-T-S](#) [0465621864](#)