

PERFORMANCE

Range 0 - 1000 ppm
 Maximum overload..... 2000 ppm
 Sensitivity..... 10 - 30 nA/ppm H2
 Zero in air at 20 °C..... <±20 ppm H2
 Resolution..... 10 ppm H2
 Linearitylinear across range
 Response time, t90..... <70 s
 Long-term output drift.....<2% signal/month
 Warranty 2 years

OPERATING CONDITIONS

Temperature range-20 to +50 °C
 Operating humidity..... 15 - 90% RH (non-condensing)
 Pressure range 90 - 110 kPa (nominal)
 Operating circuit..... see Electrochemical Toxic Sensor
 Application Note
 Applied potential0 V
 Storage life..... 6 months in original packaging (0 - 25 °C)

PHYSICAL CHARACTERISTICS

Label coloursilver
 Weight..... 5 g approx.
 Dimensions see outline

This device is designed to be RoHS compliant.

CROSS-SENSITIVITY DATA

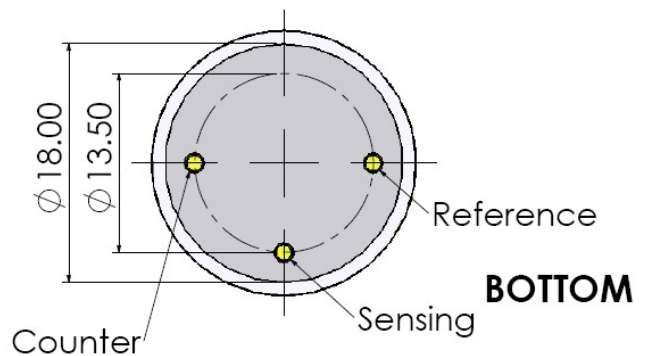
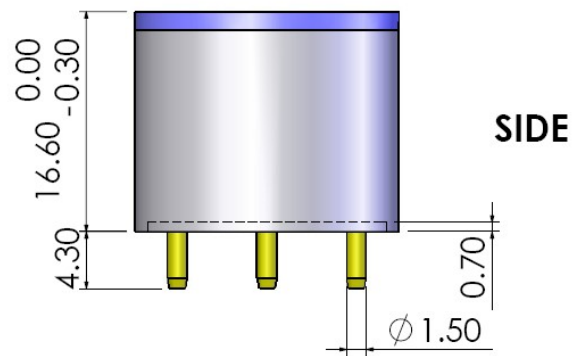
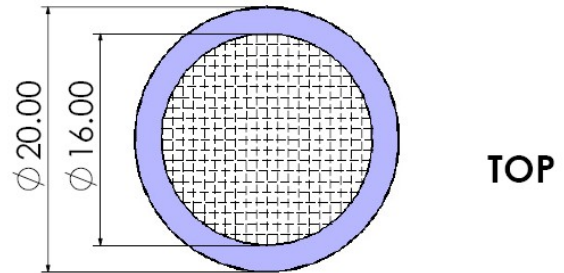
GAS	Concentration (ppm)	Sensor Response (As ppm H2)
Carbon Monoxide	50	200
Hydrogen Sulfide	24	0
Sulfur Dioxide	5	0
Nitric Oxide	35	<10
Nitrogen Dioxide	5	0
Ethene	100	80
Chlorine	10	0

Important Note

Do not solder to the connector pins as this may damage the sensor and thereby invalidate the warranty.

Details on recommended connector pins can be found in the Frequently Asked Questions within the Gas Sensor section of the SGX website.

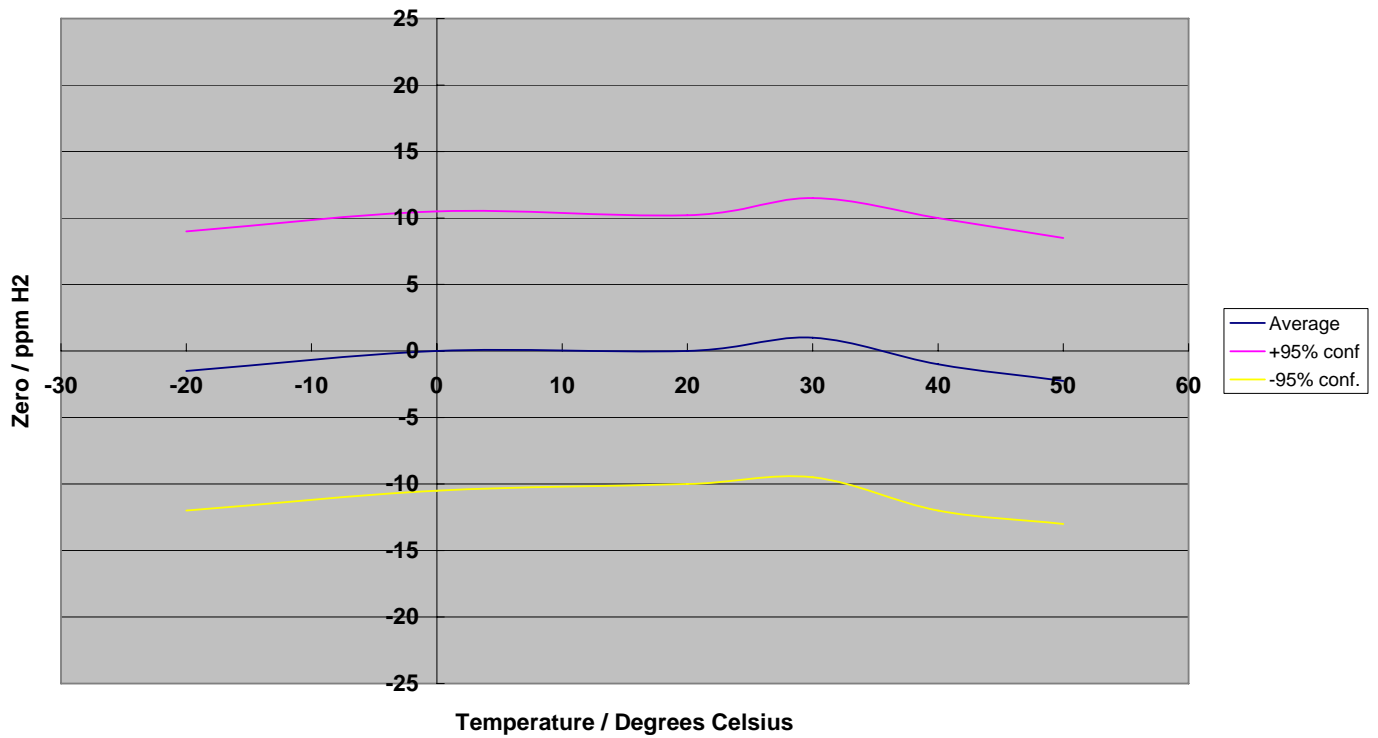
OUTLINE



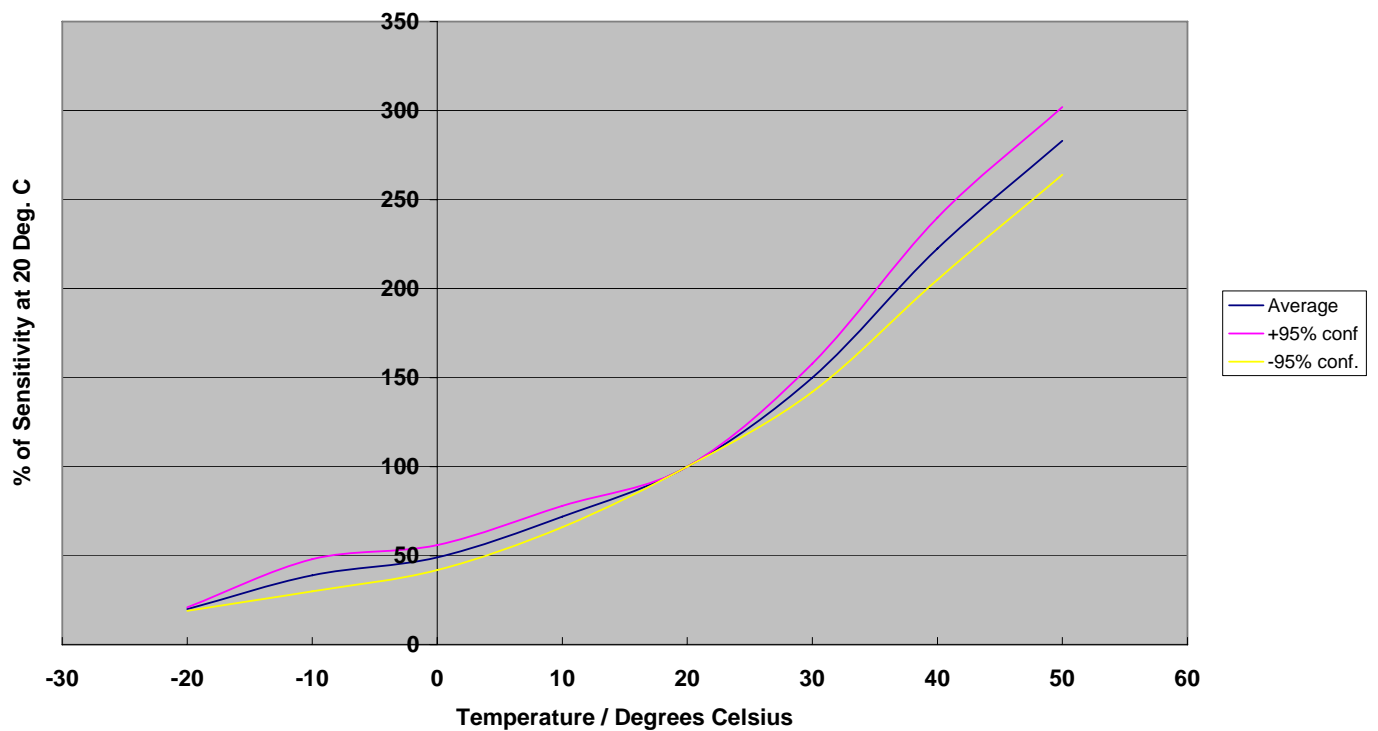
All dimensions in mm.
All tolerances ±0.15mm unless otherwise stated.

TEMPERATURE DEPENDENCE

EC4-1000-H2 Graph of Zero vs Temperature



EC4-1000-H2 Graph of Sensitivity vs Temperature



X-ON Electronics

Largest Supplier of Electrical and Electronic Components

Click to view similar products for [Air Quality Sensors](#) category:

Click to view products by [Amphenol](#) manufacturer:

Other Similar products are found below :

[GMS-MSTH2.S.V.3](#) [MO86571](#) [MO86561](#) [076074 01](#) [DE800.A.1](#) [MF010-2-LC1](#) [MF020-2-LC3](#) [KGZ10-5PIN](#) [GMS10SENSORS](#) [IR25TT](#)
[208280-0001](#) [IR11BD](#) [IR11GM](#) [IR12GM](#) [IR21BD](#) [GMS10-18C](#) [KGZ12](#) [S-300L-3V-5000-SLEEP-UART](#) [MP7227-TC](#) [SGPC3-TR-2.5KS](#)
[T6713-6H](#) [POLOLU-1482](#) [3.000.475](#) [3.000.496](#) [3.000.497](#) [HPMA115S0-XXX](#) [SGPC3-2.5k](#) [T3032-2-10K-24-P](#) [VQ6MB](#) [INIR-CD-5%](#)
[VQ23TB](#) [IR11GJ](#) [VQ31MB](#) [IR11BR](#) [GP2Y1026AU0F](#) [VQ549ZD](#) [MHM501-00](#) [MHM500-00A](#) [MHM305-01](#) [MICS-4514](#) [VQ548ZD-S](#)
[SEN-09403](#) [IR15TT](#) [MICS-5524](#) [MICS-5914](#) [MICS-2714](#) [INIR-ME-100%](#) [T8100-D](#) [VQ21TB](#) [IR21EJ](#)