

## EC4-10-ETO

### Industrial Ethylene Oxide Sensor

(Application : Portable Gas Detectors)

#### PERFORMANCE

Range	0 – 10 ppm
Sensitivity	1.9 ± 0.8 µA/ppm
Zero in Air at 20°C	-0.2 to 2.5 µA
Baseline Drift	0 to 2 ppm equivalent
Resolution	0.1 ppm
Linearity	Linear Across Range
Response time (T <sub>90</sub> )	< 120 seconds
Long-term Output Drift	< 2% signal/month
Warranty	2 years
Bias	+ 300mV

#### OPERATING CONDITIONS

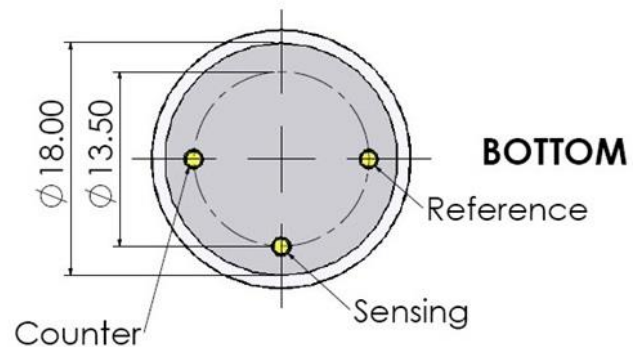
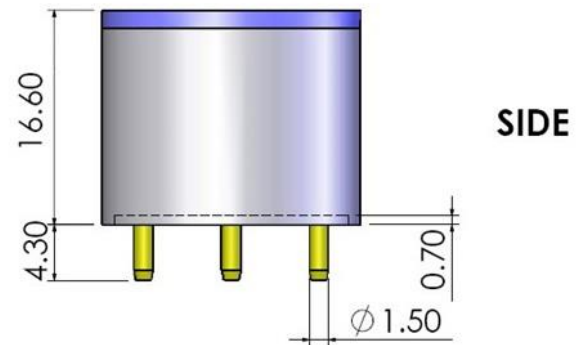
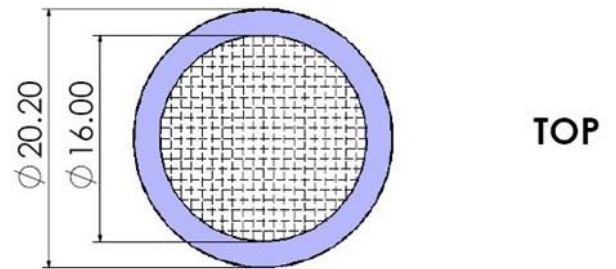
Temperature Range	-20°C to +50°C
Operating Humidity	15 – 90% RH (non-condensing)
Pressure range	90 to 110 kPa
Operating Circuit	See Application Note 2
Recommended Storage Temperature	0°C to 20°C
Storage life	6 months in original packing (0 – 25°C)
Expected Operating Life	3 years

#### PHYSICAL CHARACTERISTICS

Weight	5 g
Orientation Sensitivity	None
Dimensions	See Outline

#### OUTLINE

All Dimensions are in mm  
 All tolerances are ±0.2mm



## CROSS-SENSITIVITY DATA

GAS	RANGE (ppm)	CORRECTION FACTOR TO ETO *
Ethylene Oxide	10	1.0
Carbon Monoxide	100	2.5
Ethanol	30	0.8
Methanol	10	0.3
Isopropanol	50	1.3
Formaldehyde	10	0.4
i-Butylene	30	0.9
Butadiene	10	0.3
Ethylene	30	0.7
Propene	30	0.8
Vinyl Chloride	30	1.3
Vinyl Acetate	30	0.5
Formic Acid	50	1.4
Acrylonitrile	100	2.5

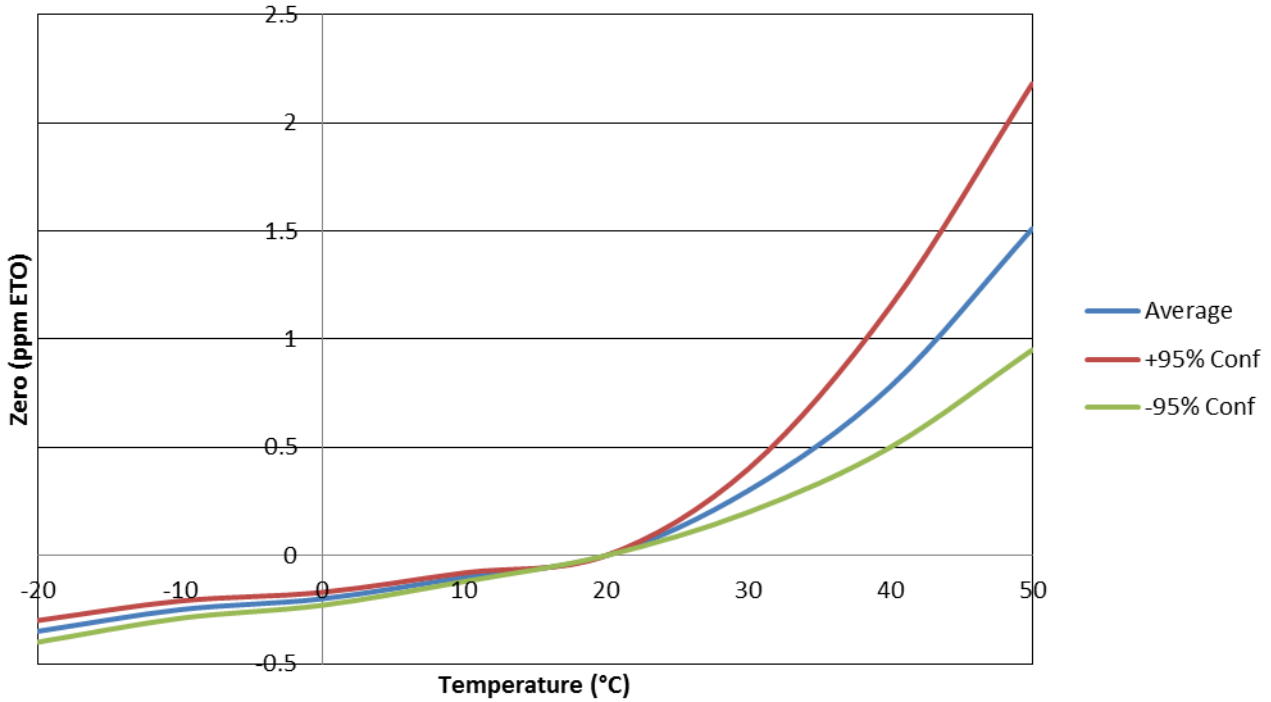
\* See Important Notes

## IMPORTANT NOTES

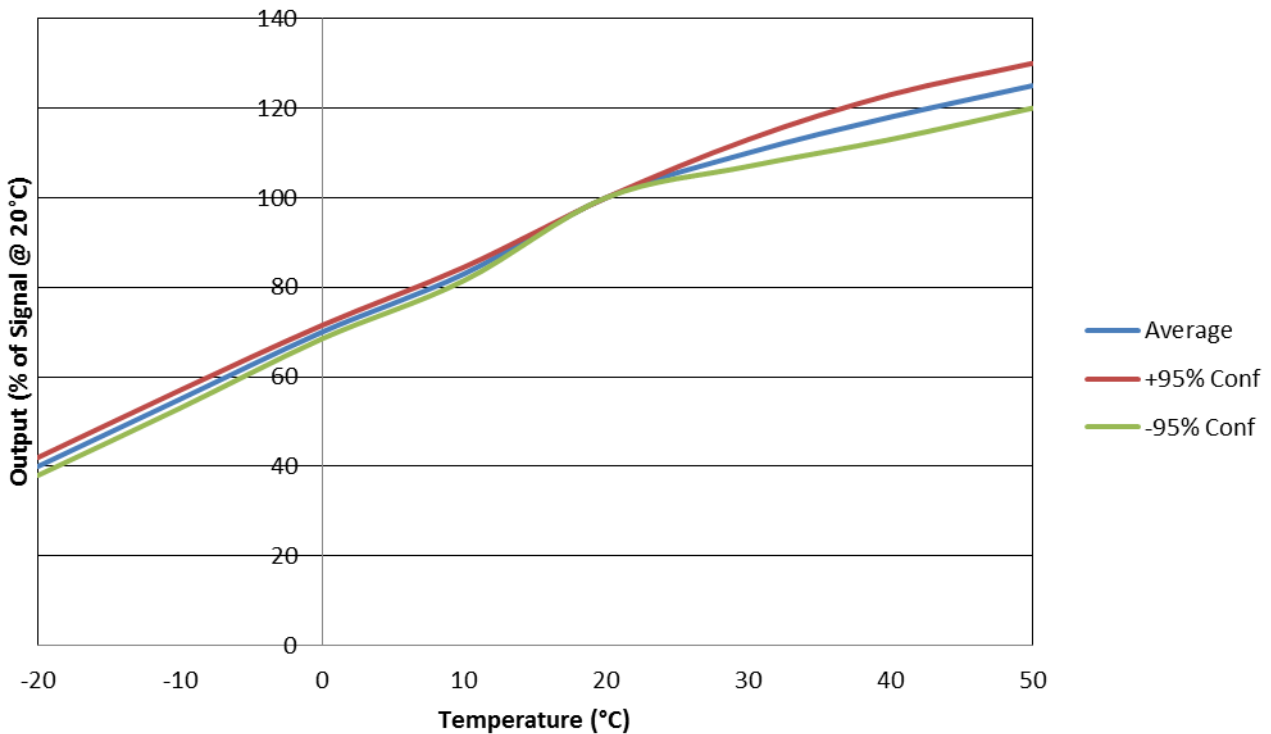
- 1.) Do not solder to the connector pins as this may damage the sensor and thereby invalidate the warranty.
- 2.) Details on recommended connector pins can be found in the Frequently Asked Questions within the Gas Sensor section of the SGX website.
- 3.) All performance specifications are based upon the following environmental conditions: 20°C, 50% relative humidity, 101kPa.
- 4.) Cross Sensitivity Data is for information only. Calibration is recommended with target gas as the accuracy of calibration and measurement cannot be ensured.
- 5.) Correction Factor of ETO = Sensitivity of ETO / Sensitivity of test gas.
- 6.) The cross sensitivities are including but not limited to the gases stated in the table. It may respond to other gases.
- 7.) The cross sensitivities may fluctuate between ± 30% and may differ from batch to batch or across sensor's life time.
- 8.) The device is designed to be RoHS compliant.

## TEMPERATURE PERFORMANCE

### Zero V's Temperature



### Output V's Temperature



## X-ON Electronics

Largest Supplier of Electrical and Electronic Components

*Click to view similar products for [Air Quality Sensors](#) category:*

*Click to view products by [Amphenol](#) manufacturer:*

Other Similar products are found below :

[GMS-MSTH2.S.V.3](#) [MO86571](#) [MO86561](#) [076074 01](#) [DE800.A.1](#) [MF010-2-LC1](#) [MF020-2-LC3](#) [KGZ10-5PIN](#) [GMS10SENSORS](#) [IR25TT](#)  
[208280-0001](#) [IR11GM](#) [IR12GM](#) [IR21BD](#) [GMS10-18C](#) [KGZ12](#) [S-300L-3V-5000-SLEEP-UART](#) [MP7227-TC](#) [SGPC3-TR-2.5KS](#) [T6713-6H](#)  
[POLOLU-1482](#) [3.000.475](#) [3.000.496](#) [3.000.497](#) [HPMA115S0-XXX](#) [SGPC3-2.5k](#) [T3032-2-10K-24-P](#) [VQ6MB](#) [INIR-CD-5%](#) [VQ23TB](#)  
[IR11GJ](#) [VQ31MB](#) [IR11BR](#) [GP2Y1026AU0F](#) [VQ549ZD](#) [MHM501-00](#) [MHM500-00A](#) [MHM305-01](#) [MICS-4514](#) [VQ548ZD-S](#) [SEN-09403](#)  
[IR15TT](#) [MICS-5524](#) [MICS-5914](#) [MICS-2714](#) [INIR-ME-100%](#) [T8100-D](#) [VQ21TB](#) [IR21EJ](#) [VQ603/2](#)