

**SENORTECH**

**PERFORMANCE**

Range .....	0 - 200 ppm
Sensitivity (see note) .....	250 - 650 nA/ppm Cl <sub>2</sub>
Zero in air at 20 °C .....	<±0.4 ppm Cl <sub>2</sub>
Zero deviation (-20 to +40°C) .....	0 to -0.3 ppm Cl <sub>2</sub>
Resolution .....	0.1 ppm Cl <sub>2</sub>
Expected lifetime .....	2 years
Linearity .....	linear across range
Response time, t <sub>90</sub> .....	<30 s
Temperature range .....	-20 to +50 °C
Pressure range .....	90 – 110 kPa (nominal)
Humidity range .....	15 - 90% RH (non-condensing)
Long-term output drift .....	<2% change in output per month
Operating circuit .....	see Electrochemical Toxic Sensor Application Note

**Note:** This output current is negative. This is because the sensor reaction is a reduction of the target gas.

**OPERATING CONDITIONS**

Temperature range .....	-20 to +50 °C
Operating humidity .....	15 - 90% RH (non-condensing)
Pressure range .....	90 - 110 kPa (nominal)
Operating circuit .....	see Electrochemical Toxic Sensor Application Note
Applied potential .....	0 V
Storage life .....	6 months in original packaging (0 - 25 °C)

**PHYSICAL CHARACTERISTICS**

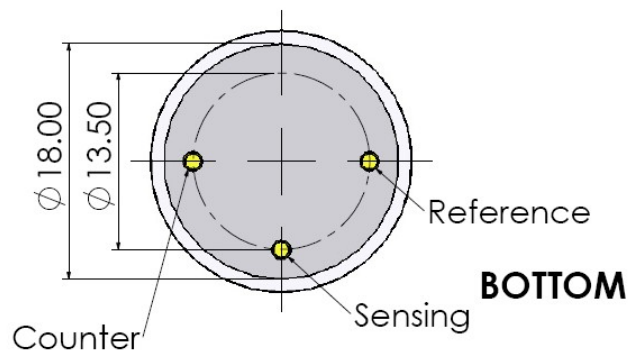
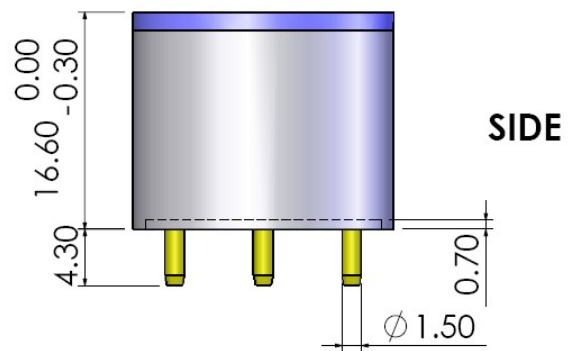
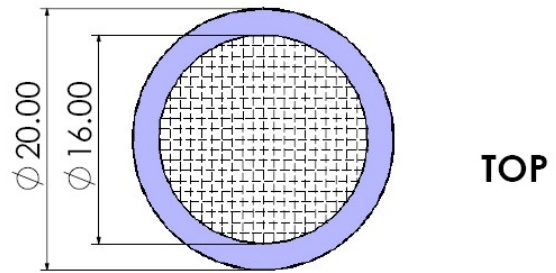
Label colour .....	silver
Weight .....	6 g
Dimensions .....	see outline

This device is designed to be RoHS compliant.

**CROSS-SENSITIVITY DATA**

GAS	Concentration (ppm)	Sensor Response (As ppm Cl <sub>2</sub> )
Carbon Dioxide	10,000	0
Carbon Monoxide	100	0
Chlorine Dioxide	1	3.5
Hydrogen	3000	0
Hydrogen Sulfide	20	-4
Nitrogen Dioxide	10	12
Sulfur Dioxide	20	0
Ammonia	100	0
Nitric Oxide	35	0

**OUTLINE**



All dimensions in mm.  
All tolerances ±0.15mm unless otherwise stated.

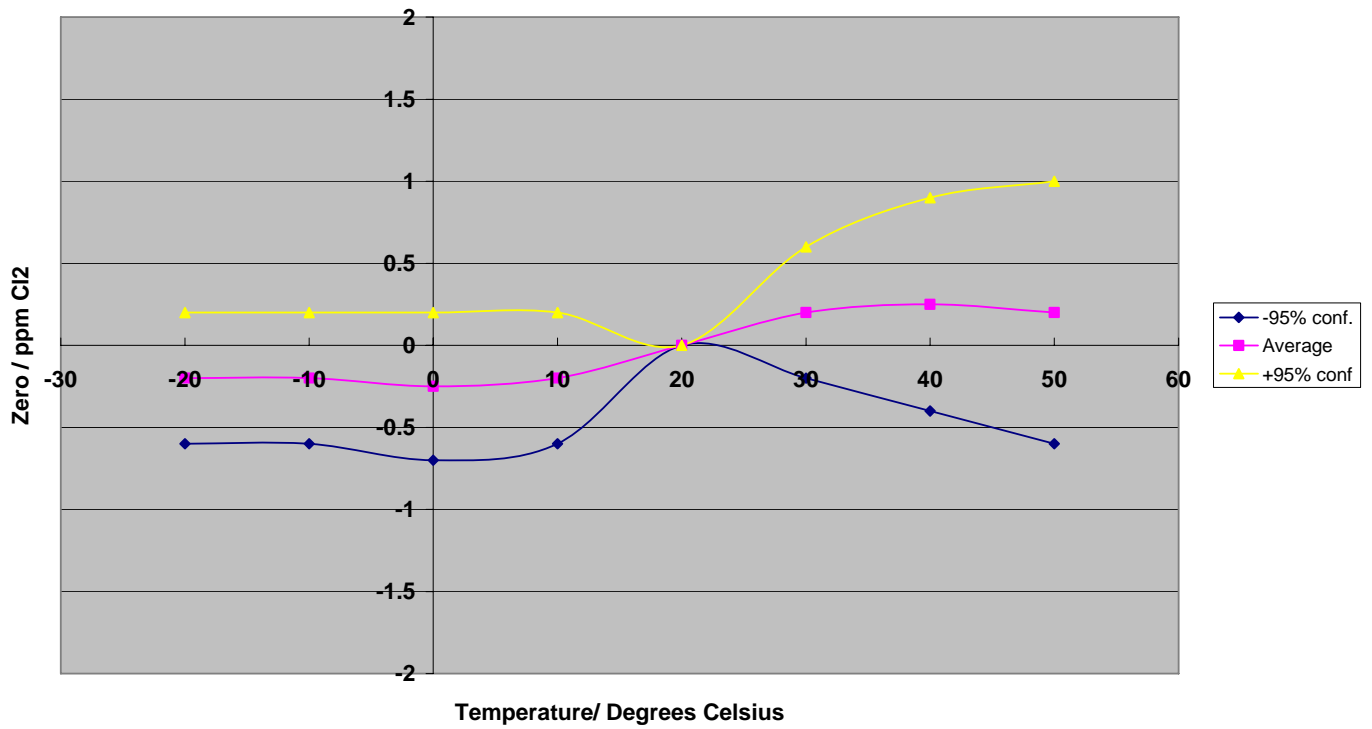
**Important Note**

Do not solder to the connector pins as this may damage the sensor and thereby invalidate the warranty.

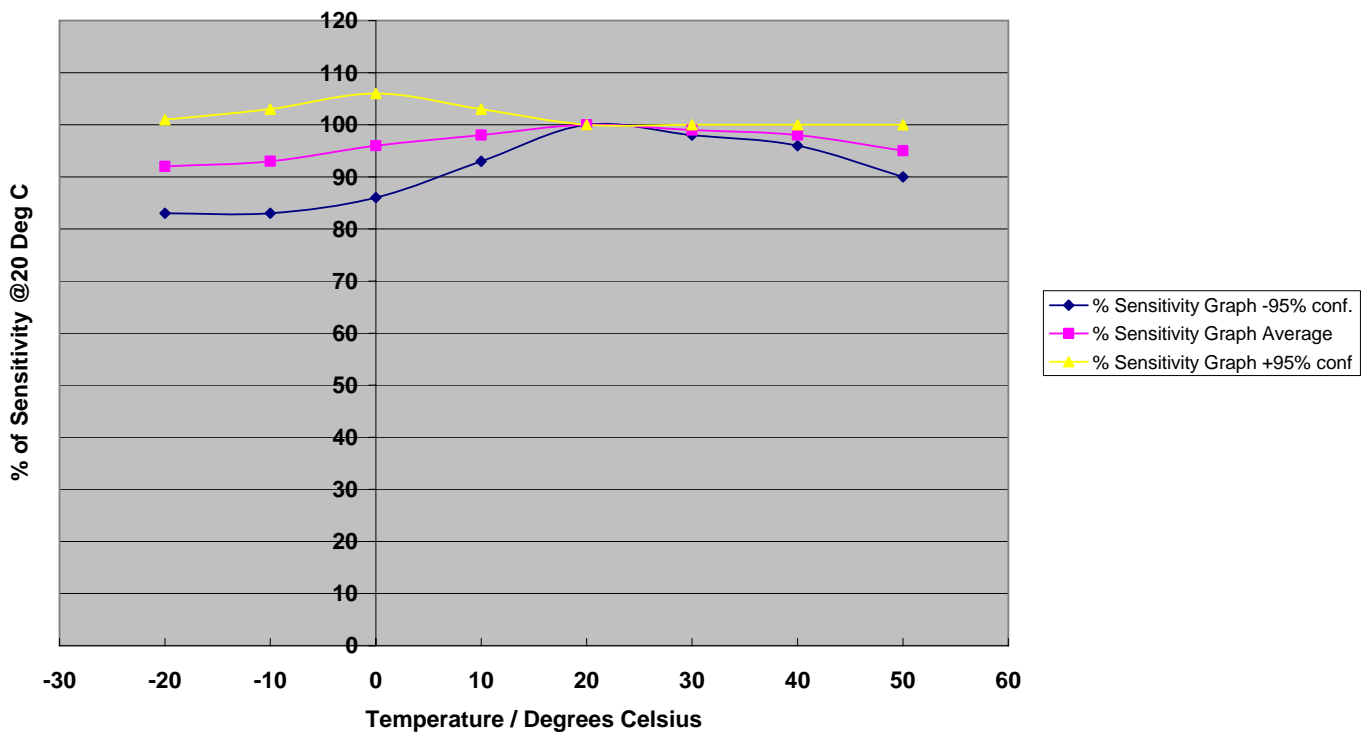
Details on recommended connector pins can be found in the Frequently Asked Questions within the Gas Sensor section of the SGX website.

# TEMPERATURE DEPENDENCE

## EC4-200-CI2 Graph of Zero vs Temperatures



## EC4-200-CI2 Graph of Net Sensitivity vs Temperature



## X-ON Electronics

Largest Supplier of Electrical and Electronic Components

*Click to view similar products for [Air Quality Sensors](#) category:*

*Click to view products by [Amphenol](#) manufacturer:*

Other Similar products are found below :

[GMS-MSTH2.S.V.3](#) [MO86571](#) [MO86561](#) [076074 01](#) [DE800.A.1](#) [MF010-2-LC1](#) [MF020-2-LC3](#) [KGZ10-5PIN](#) [GMS10SENSORS](#) [IR25TT](#)  
[208280-0001](#) [IR11GM](#) [IR12GM](#) [IR21BD](#) [GMS10-18C](#) [KGZ12](#) [S-300L-3V-5000-SLEEP-UART](#) [MP7227-TC](#) [SGPC3-TR-2.5KS](#) [T6713-6H](#)  
[POLOLU-1482](#) [3.000.475](#) [3.000.496](#) [3.000.497](#) [HPMA115S0-XXX](#) [SGPC3-2.5k](#) [T3032-2-10K-24-P](#) [VQ6MB](#) [INIR-CD-5%](#) [VQ23TB](#)  
[IR11GJ](#) [VQ31MB](#) [IR11BR](#) [GP2Y1026AU0F](#) [VQ549ZD](#) [MHM501-00](#) [MHM500-00A](#) [MHM305-01](#) [MICS-4514](#) [VQ548ZD-S](#) [SEN-09403](#)  
[IR15TT](#) [MICS-5524](#) [MICS-5914](#) [MICS-2714](#) [INIR-ME-100%](#) [T8100-D](#) [VQ21TB](#) [IR21EJ](#) [VQ603/2](#)