

EC4-20-NO2

Industrial Nitrogen Dioxide Sensor

(Application : Portable Gas Detectors)

PERFORMANCE

Range	0 – 20 ppm
Maximum Overload	250 ppm
Sensitivity	450 to 750 nA/ppm NO ₂
Zero in Air at 20°C	< ±0.4 µA
Baseline Drift (-20°C to +40°C)	0 to -0.5 ppm equivalent
Resolution	0.1 ppm NO ₂
Linearity	Linear Across Range
Response time (T ₉₀)	< 30 seconds
Long-term Output Drift	< 2% signal/month
Warranty	1 year
Bias	No Bias
Output Current	Negative

OPERATING CONDITIONS

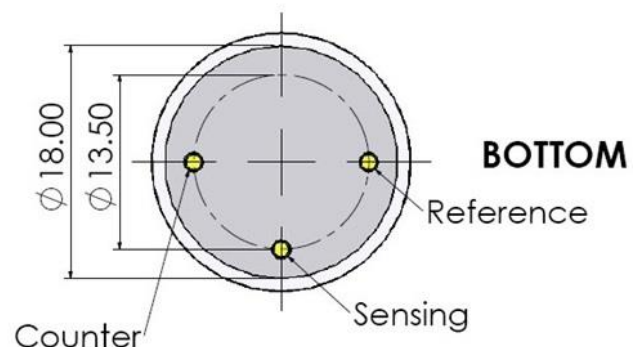
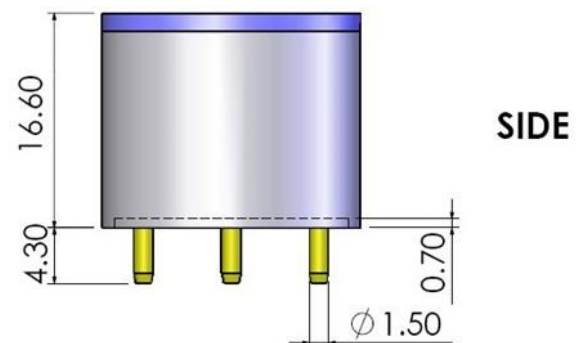
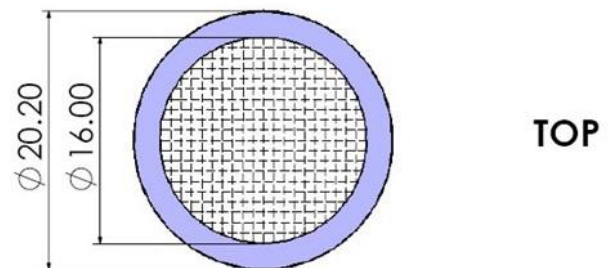
Temperature Range	-20°C to +50°C
Operating Humidity	15 – 90% RH (non-condensing)
Pressure range	90 to 110 kPa
Operating Circuit	See Application Note 2
Storage life	6 months in original packing
Storage Temperature	0°C to 20°C
Expected Operating Life	2 years in air

PHYSICAL CHARACTERISTICS

Weight	5 g
Orientation Sensitivity	None
Dimensions	See Outline

OUTLINE

All Dimensions are in mm
 All tolerances are ±0.2mm



CROSS-SENSITIVITY DATA

GAS	CONCENTRATION (ppm)	OUTPUT SIGNAL (ppm NO ₂ equivalent)
Carbon Monoxide	300	0
Hydrogen Sulfide	15	-1.2
Sulfur Dioxide	5	-5
Nitric Oxide	35	0
Chlorine	1	-1

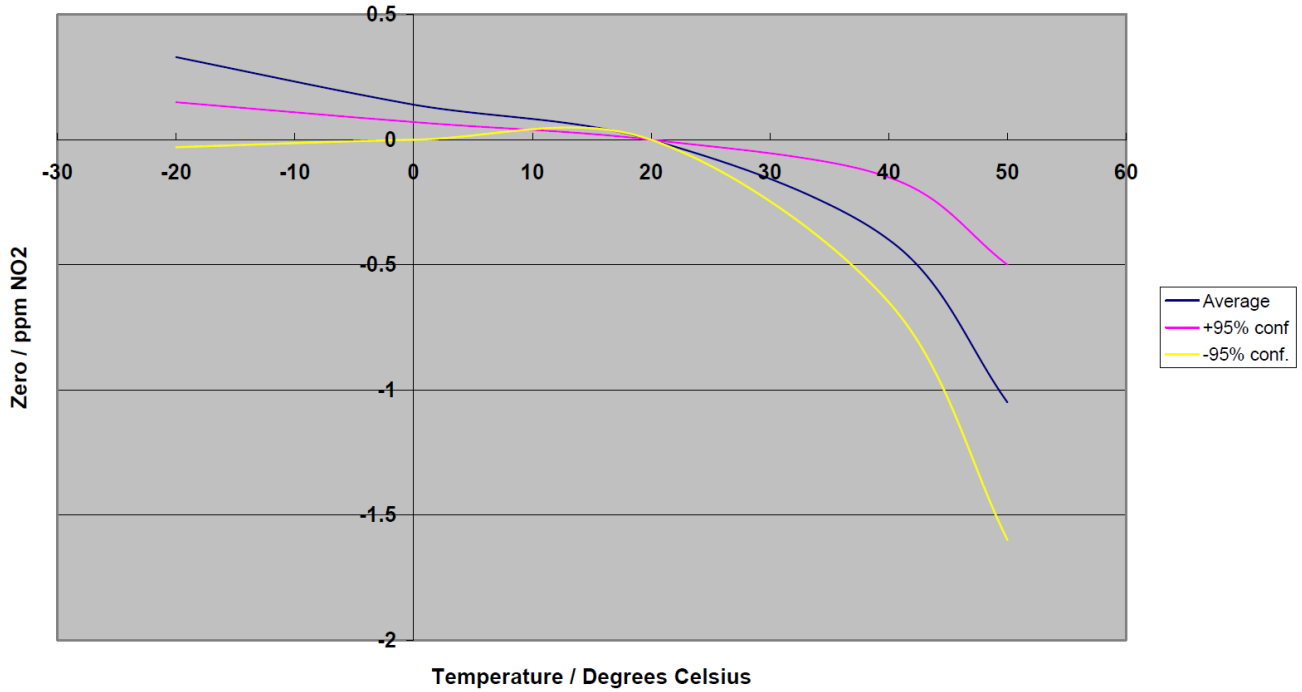
* See Important Notes

IMPORTANT NOTES

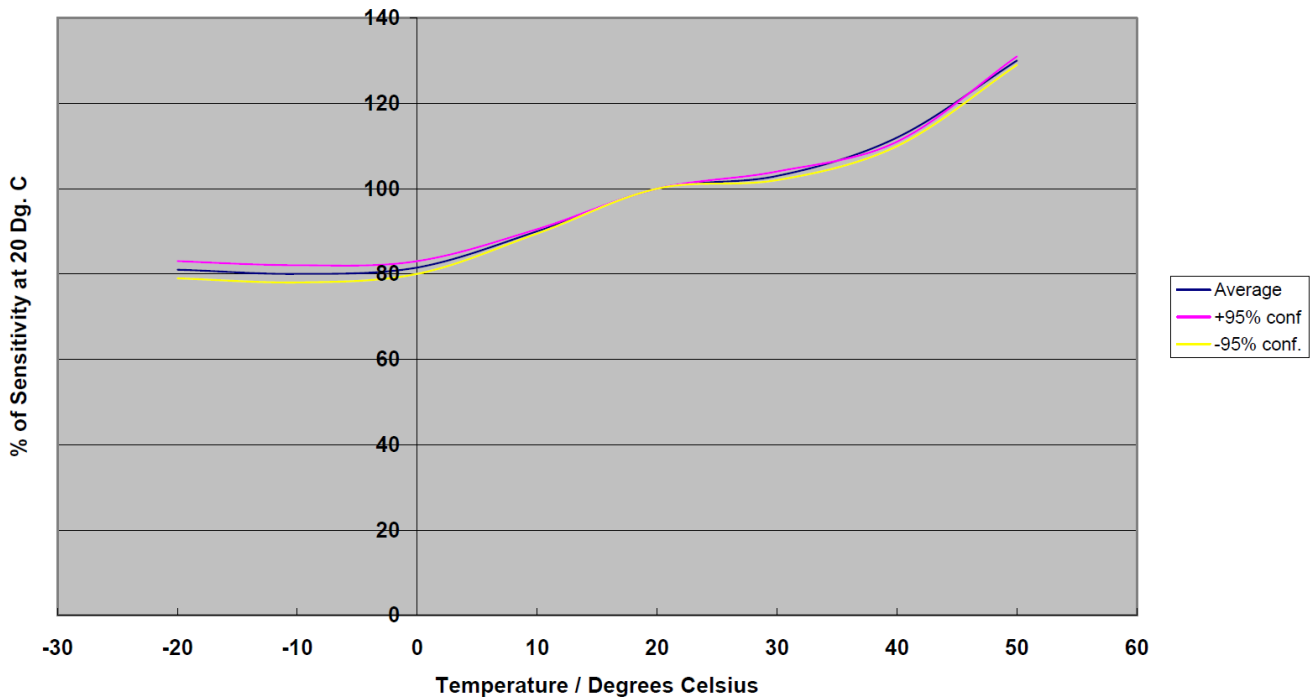
- 1.) Do not solder to the connector pins as this may damage the sensor and thereby invalidate the warranty.
- 2.) Details on recommended connector pins can be found in the Frequently Asked Questions within the Gas Sensor section of the SGX website.
- 3.) All performance specifications are based upon the following environmental conditions: 20°C, 50% relative humidity, 101kPa.
- 4.) Cross Sensitivity Data is for information only. Calibration is recommended with target gas as the accuracy of calibration and measurement cannot be ensured.
- 5.) The cross sensitivities are including but not limited to the gases stated in the table. It may respond to other gases.
- 6.) The cross sensitivities may fluctuate between $\pm 30\%$ and may differ from batch to batch or across sensor's life time.
- 7.) The device is designed to be RoHS compliant.

TEMPERATURE

EC4-20-NO2 Graph of Zero vs Temperature



EC4-20-NO2 Graph of Sensitivity vs Temperature



X-ON Electronics

Largest Supplier of Electrical and Electronic Components

Click to view similar products for [Environmental Test Equipment](#) category:

Click to view products by [Amphenol](#) manufacturer:

Other Similar products are found below :

[CW40](#) [F150C10E3DRT](#) [F150LTC20](#) [F150CD10E2](#) [F150L75](#) [F150LRS](#) [S-11](#) [FLUKE-LDG](#) [382153](#) [FM100](#) [RH210](#) [382253](#) [MO290-P](#)
[GEO-CABLE-REEL-50M](#) [T197914](#) [RD300-L](#) [IR11BD](#) [IR11GM](#) [IR12GM](#) [IR21BD](#) [IR31CE](#) [IR32BC](#) [IR33BC](#) [MP7217TC](#) [NGM-1](#) [SGX-](#)
[7NH3](#) [UT381](#) [F150-SLC50](#) [AW-CO-1000](#) [AW-NmHc-100](#) [3.000.401](#) [AX-7535](#) [CS-9S6SS-A](#) [P 2800 A](#) [P 2801](#) [P 2802](#) [P 5039](#) [P 5130](#) [P](#)
[5055](#) [P 5060](#) [P 5065](#) [P 5086](#) [P 5090](#) [P 5110](#) [P 5115](#) [P 5135](#) [P 5140](#) [P 5145](#) [P 5150](#) [P 5160](#)