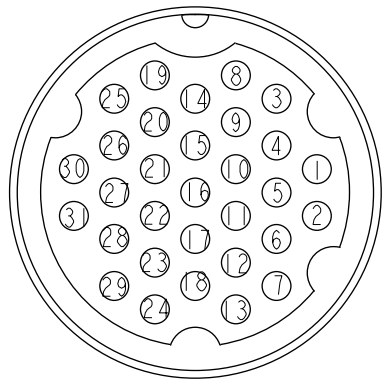
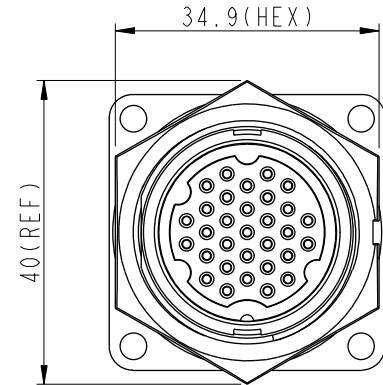
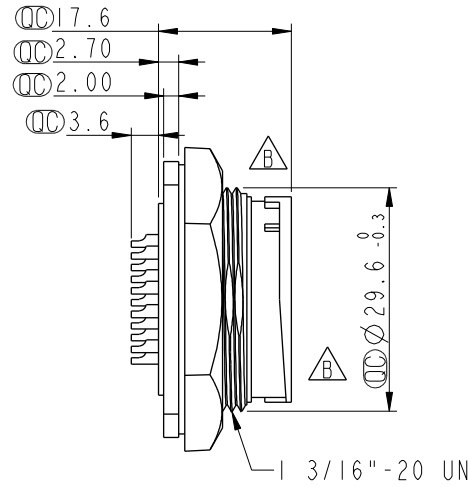
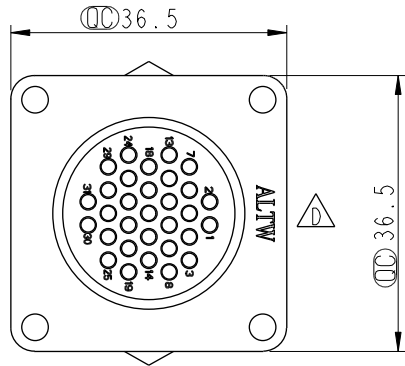
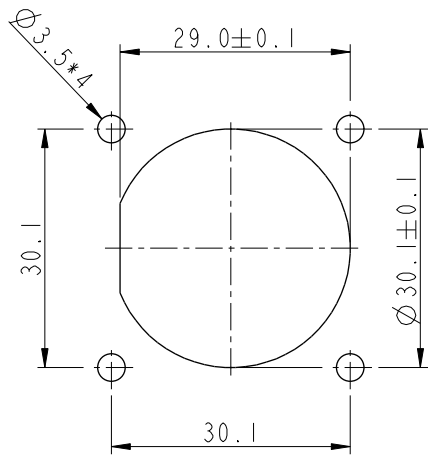


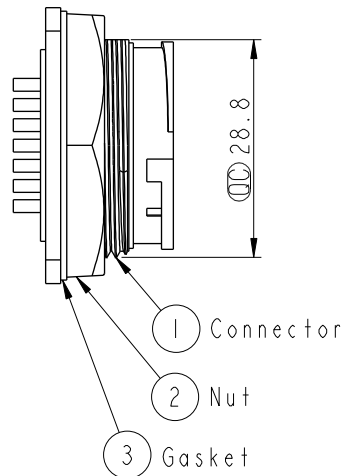
REV.	ECN NO.	DATE	SIGN	DESCRIPTION
C	LEN-890122	2008/09/25	Ivan	Add notes
D	LEN14B0148	2014/11/06	Ruru	Change Logo LTW To ALTW
E	CI90314	2019/03/12	Ruru	Modify Note



Pin Assignments
Front View



Recommended Panel Cut-Out



Note:
 * Important Dimension.
 * Waterproof Rate: IP67, Unmated
 * Housing: Thermoplastic, Black
 * Pin: Copper Alloy, Gold Plated
 * Nut: Thermoplastic, Black
 * Gasket: Rubber, Black
 * Use with waterproof cap or dust cap
 Panel Thickness Max: 2.5mm
 * Use without waterproof cap or dust cap
 Panel Thickness Max: 3.5mm
 * Gasket and Nut are packed separately in PE bags.

UNIT:mm	
TOLERANCE	
.X	±0.25
.XX	±0.1
.XXX	±0.05
ANGLES	±1°

TITLE Panel Lock 31Pin M Conn F Pin			
SCALE 1:1	SIZE A4	SHEET 1 OF 1	
REV. E	WC-REV. A.2	Inspection item	

Amphenol LTW
安費諾亮泰企業股份有限公司

ITEM NO ED-31PMFS-LS7001	DRAWN BY Ruru	DATE 2019-03-12
DWG NO ED-31PMFS-LS7001	CHECKED BY Rita	DATE 2019-03-12
CUSTOMER ALTW	APPROVED BY Max	DATE 2019-03-12

THIS DOCUMENT IS SUBJECT TO CHANGE WITHOUT NOTICE. IT IS CONFIDENTIAL AND A PROPERTY OF AMPHENOL LTW. DISCLOSURE TO THIRD PARTY HAS TO BE AUTHORIZED BY AMPHENOL LTW.

X-ON Electronics

Largest Supplier of Electrical and Electronic Components

Click to view similar products for [Standard Circular Connector](#) category:

Click to view products by [Amphenol](#) manufacturer:

Other Similar products are found below :

[5M2530B10P](#) [600259N006](#) [600273N007](#) [6134-336-13149](#) [6134-337-11149](#) [6134-337-2390](#) [6134-341-17149](#) [6280-4SG-516](#) [6280-7SG-3DC](#)
[6290](#) [6291A](#) [66200A-10](#) [680-SMG](#) [681-PMG](#) [CXS3102A14S2P](#) [CXS3102A181S](#) [7251-6SG-300](#) [7271-6SG-300](#) [7282-3PG-300-CH3](#) [75-](#)
[474014-05S](#) [75-474618-01S](#) [75-474618-04S](#) [799539-000](#) [MI8-SE](#) [805-005-07NF11-19PC](#) [805-005-07NF15-7PA](#) [8280-4PG-516](#) [8280-7PG-](#)
[519](#) [8282-5PG-519](#) [836783-1](#) [MP-4102-25P-C](#) [862256-1](#) [864019-2](#) [866857-1](#) [867865-1](#) [PT01SP-14-18P](#) [PT08P-14-5S](#) [PTSF06SE-14-12S](#)
[120-1833-000](#) [QCM019PC2DC012B](#) [1-2069279-1](#) [121583-0217](#) [121667-0020](#) [129591AU](#) [1000B BULK](#) [RD10A16-19-P6CS051/1](#)
[RD10A20-31-P8CS051/1](#) [RD16A14-12-S6CS051/2](#) [1301240290](#) [1301240347](#) [1301860202](#)