

PRODUCT NUMBER
20020731-XXXXXXLF

20020731-

PITCH

Y: 15.0 mm

POLES

02: 2 POLES
03: 3 POLES
04: 4 POLES

10: 10 POLES

LF : DENOTED RoHS COMPATIBLE

1 : STANDARD PRODUCT
W/ BOX PACKING

SCREW CODE

CODE	SCREW TYPE	AVAILABILITY
A	-/+	ON REQUEST ONLY
B	-	STANDARD

PROPERTY TABLE		
FCI SERIES NAME 40-1500		
PITCH (mm) 15.0		
VOLTAGE RATING (VAC) 600		
CURRENT RATING (A) 125		
APPLICABLE WIRE RANGE (AWG)	1-WIRE 2~20	
	2-WIRE 10	
WIRE CROSS SECTION (mm ²)	SOLID	1-WIRE 35
		2-WIRE 6.0
	STRANDED	1-WIRE 25
		2-WIRE 6.0
OPENING CONTACT HOUSING(mm ²) 8.1x8.4		
WIRE STRIP LENGTH(mm) 15~18		
TORQUE +/-10% (N-M/Lb-in) 4.12/36.5		
SCREW M5.0x0.8		
WITHSTANDING VOLTAGE (kV) 2.2		
OPERATING TEMP. (°C) -40~+115		
SOLDERING TEMP. (°C) 250±10 (5 sec.)		
POLES AVAILABLE 02~10		
SAFETY CERTIFICATE		

HOUSING CODE

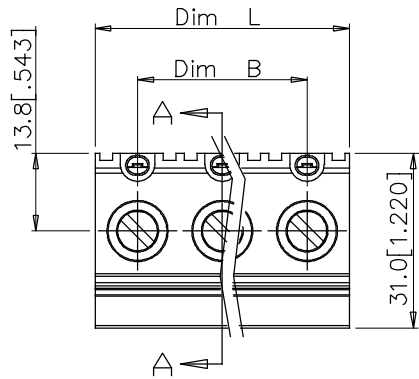
CODE	COLOR	AVAILABILITY
1	GREEN(RAL 6018/T)	STANDARD
2	BLACK	ON REQUEST ONLY
3	GREY(RAL 7004/P)	ON REQUEST ONLY
4	BLUE(RAL 5015/A)	ON REQUEST ONLY

NOTES:

- MATERIAL:
 - 1-1 HOUSIN: THERMOPLASTIC RESIN, UL94V-0 RATED.
 - 1-2 SCREW: STEEL, ZINC PLATED.
 - 1-3 CLAMP: COPPER ALLOY, NICKEL PLATED.
 - 1-1 TERMINAL: COPPER ALLOY TIN PLATED.
- PRODUCT SPECIFICATION REFER TO FCI GS-12-625.
- PRODUCT PACKING SPECIFICATION REFER TO FCI GS-14-1394.
- FCI, SAFETY CERTIFICATE LOGO AND SERIES NAME TO BE SHOWN ON PRODUCT SURFACE.
- THE PRODUCTS WHERE THE PART NUMBER END IN "LF" MEET THE EUROPEAN UNION DIRECTIVE AND OTHER COUNTRY REGULATIONS AS DESCRIBED IN GS-22-008.
- RECOMENDED SOLDERING PROCESS BY WAVE SOLDER.

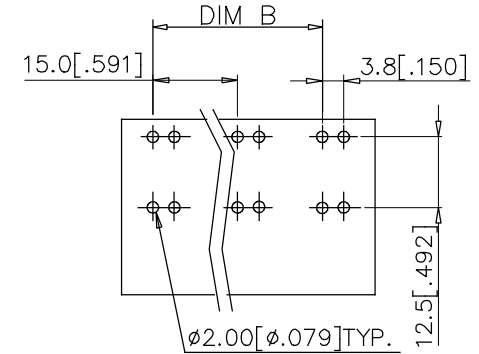
mat'l. code		surface ASME Y14.5 ✓	tolerance ASME Y14.5	projection	product family TERMINAL BLOCK
ltr	ecn no	dr	date	tolerances unless otherwise specified	title
A	T10-0138	WL	083110	angles	
B	T10-0172	WL	102010	parallel	dwg no 20020731 sheet 1 of 2 size A4
C	T-005202	WL	081911	perpendicular	
D	T-010814	LS	031912	dr WENDY CHEN 082310	
				enrg JASON HSU 082310	
				chr GARY HSIEH 082310	
				appd JOSEPH HSIA 082310	

PRODUCT NUMBER	SERIES NAME	PITCH
20020731-YXXXXXXLF	40-1500	15.0 mm

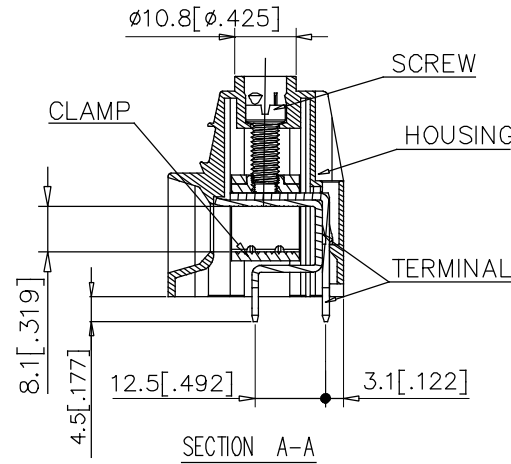
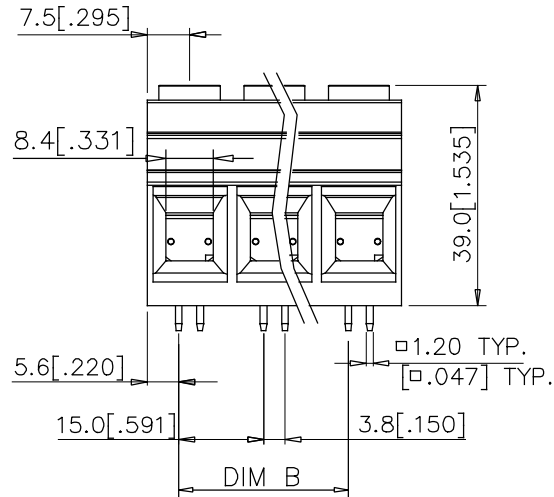
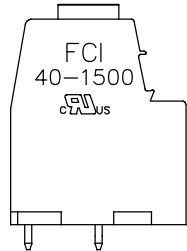


N = Number of poles
 Dim L = $N \times 15.0 [.591]$
 Dim B = $(N - 1) \times 15.0 [.591]$

Poles	Tolerance
2-3p	$\pm 0.30 [.012]$
4-5p	$\pm 0.50 [.020]$
6-10p	$\pm 0.80 [.031]$



Recommended P.C.B. Layout



mat'l. code		surface ASME Y14.5	tolerance ASME Y14.5	projection 	product family TERMINAL BLOCK
ltr ecn no dr date		tolerances unless otherwise specified		MM [INCH]	title TERMINAL BLOCK FIXED POWER PLUG, MIDDLE CONTACT
D		angles $X \pm 0.5$	$X.X \pm 0.3$		
		$X^{\circ} \pm 1^{\circ}$	$X.XX \pm 0.1$		
		dr WENDY CHEN 082310	enr JASON HSU 082310	scale	sheet 2 of 2 size
		chr GARY HSIEH 082310	appd JOSEPH HSIA 082310		dwg no 20020731 A4
sheet index		revision sheet	type CUSTOMER Drawing		

X-ON Electronics

Largest Supplier of Electrical and Electronic Components

Click to view similar products for [Fixed Terminal Blocks](#) category:

Click to view products by [Amphenol](#) manufacturer:

Other Similar products are found below :

[MBE-1512](#) [MBE-154](#) [MBE-156](#) [MBES-153](#) [MBES-156](#) [MH-2512](#) [MHE-132](#) [MHE-163](#) [MI-254 \(35\)](#) [MI-272](#) [880507](#) [MPT-275](#)
[15602-04-08-21](#) [BA311TU](#) [BA411SU](#) [MV-152](#) [MV-252-D](#) [MV-253/NCNOC](#) [MV-254-D](#) [MV-255](#) [MV-462](#) [MV-493](#) [MVE-252](#) [MVE-253](#)
[MVE-273](#) [MVEB-153](#) [1700096](#) [1705142](#) [1745195](#) [1760594](#) [1776118-2](#) [1-796689-8](#) [1-796692-6](#) [20020314-C121B01LF](#) [CB2-12](#)
[KP03215000J0G](#) [KP04215000J0G](#) [S451](#) [282802-2](#) [29.007](#) [29.116](#) [30.103](#) [30.106](#) [30.252](#) [30.503](#) [30.608](#) [30.753](#) [30.755](#) [30.756](#) [30.853](#)