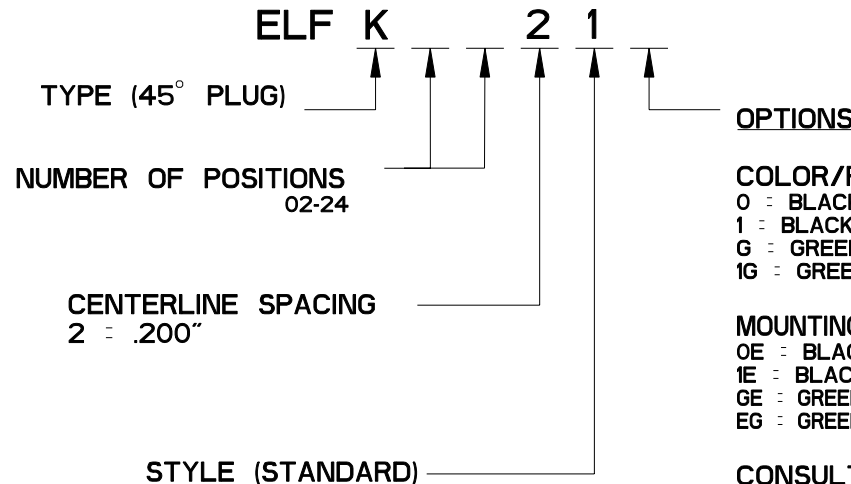


REV	ECN	APP'D
-	3600	JEC 12/11/98
A	4686	IQ 1/2/02
B	5137	

ELFK SERIES PART NUMBERING SCHEME



OPTIONS

COLOR/PLATING

- 0 = BLACK, TIN-LEAD (STANDARD)
- 1 = BLACK, SELECTIVE GOLD
- G = GREEN, TIN-LEAD
- 1G = GREEN, SEL. GOLD

MOUNTING EARS

- OE = BLACK, TIN-LEAD
- IE = BLACK, SEL. GOLD
- GE = GREEN, TIN-LEAD
- EG = GREEN, SEL. GOLD

CONSULT PCD FOR PART NO. AND AVAILABILITY OF FOLLOWING OPTIONS:

- CUSTOM COLORS
- CUSTOM MARKING
- CUSTOM KEYING
- SELECTIVE CONTACT LOADING



RATINGS

CURRENT - 15A
VOLTAGE - 300V
U.L. FILE NO. E83421



RATINGS

CURRENT - PENDING
VOLTAGE - PENDING
CSA FILE NO. LR69703

DIN VDE 0627:1986
DIN VDE 0110-1:1989
EN 60947-1:1991
EN 60947-7-1:1992

CURRENT - PENDING
VOLTAGE - PENDING
TUV FILE NO. 20396

INSTALLATION RECOMMENDATIONS

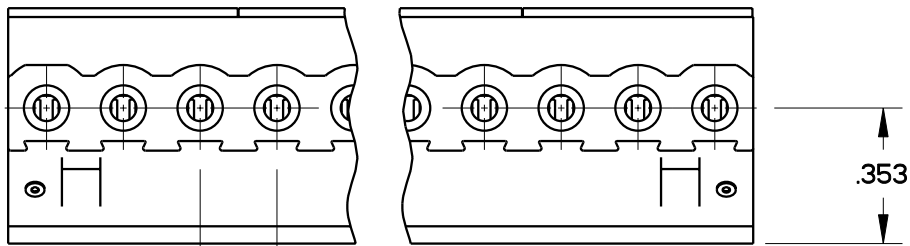
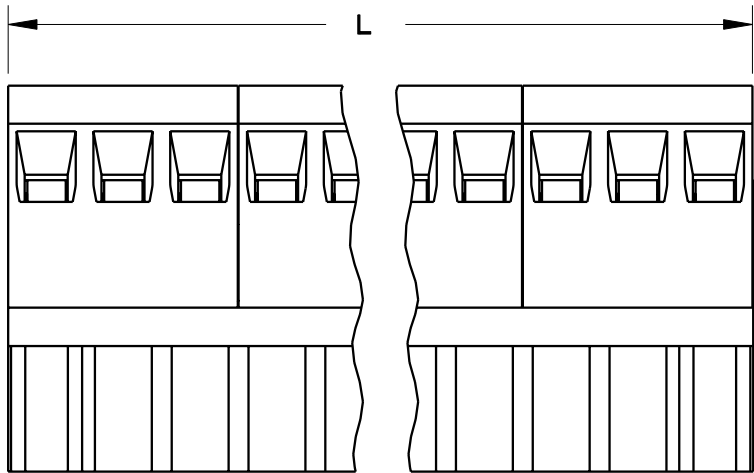
WIRE RANGE: AWG #14-26, STRANDED
OR SOLID; AWG #12 STRANDED
WIRE STRIP LENGTH: .310"
TIGHTENING TORQUE: 7 LB-IN.

MATERIALS:

HOUSING: PPO, UL 94 V-0
CONTACT: COPPER ALLOY, NICKEL FINISH
SCREW: STEEL, NICKEL FINISH
WIRE CLAMP: COPPER ALLOY, NICKEL FINISH

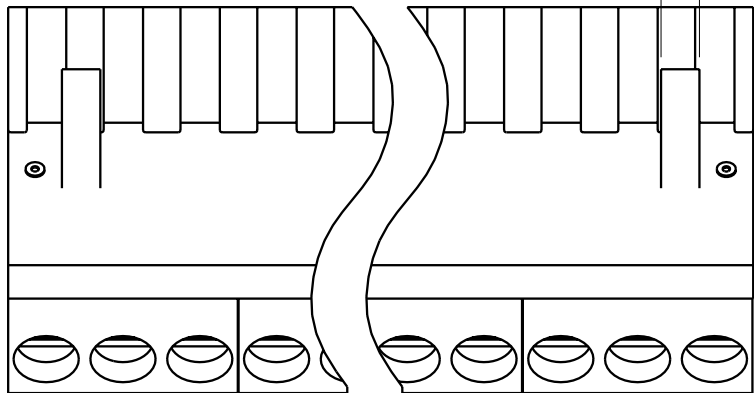
MAX OPERATING TEMPERATURE:
105°C

DIMENSIONS ANSI Y14.5M UNITS: INCHES Pro/E FILE	TOLERANCES .XX ±0.01 .XXX ±0.005 ANGLES ±2.0°	PROJECTION 	SPECIFICATION DRAWING ENGR D. MANTER 10-Dec-98		TITLE ELFK SERIES PLUG ASSEMBLY 45°
ORIGINAL STAMPED IN RED	<i>THIS DOCUMENT CONTAINS PROPRIETARY INFORMATION WHICH IS THE CONFIDENTIAL PROPERTY OF PCD, INC. PEABODY, MA, USA</i>	CHKD APPD J. CAHALY 12/11/98	SIZE A	DWG NO. ELFK02210	REV B
		CODE: 58982		SCALE: NONE	SHEET 1 OF 2

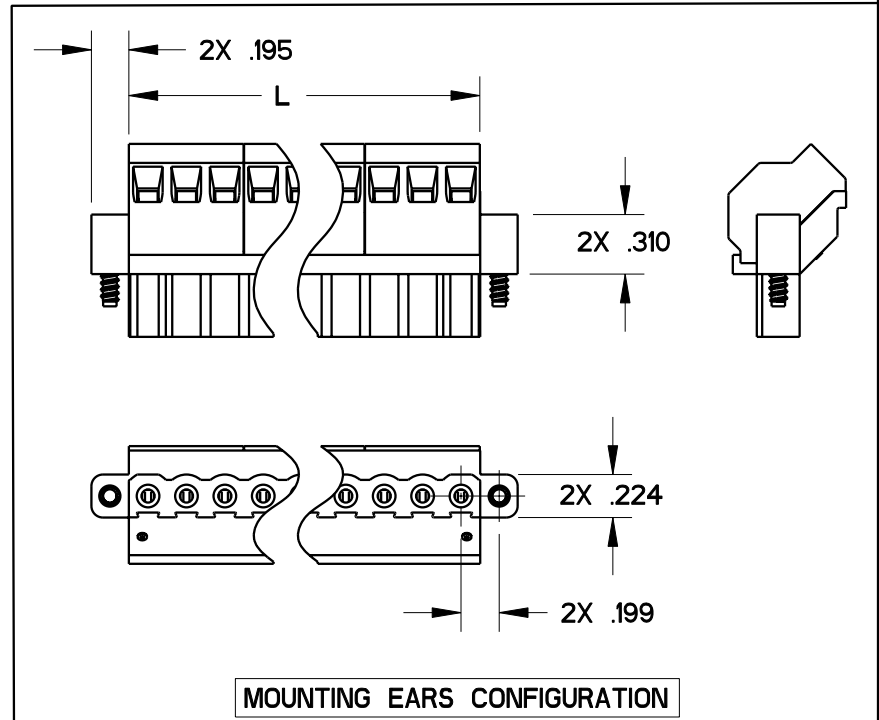
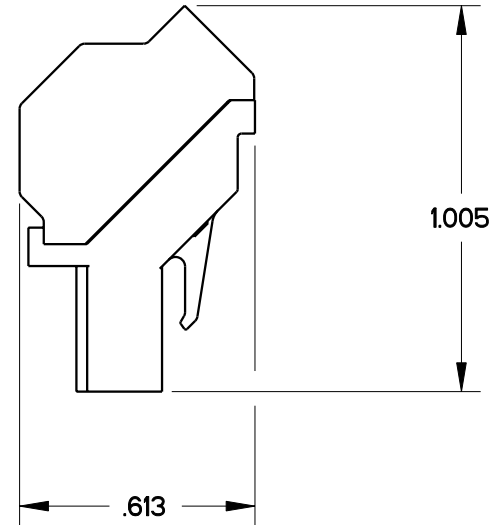


$.200$ TYP

$2X .100$
 $2X .140$



L- NUM OF POS X CL SPACING



MOUNTING EARS CONFIGURATION

SIZE A	DWG NO. ELFK02210	REV B
CODE: 58982	SCALE: NONE	SHEET 2 OF 2

X-ON Electronics

Largest Supplier of Electrical and Electronic Components

Click to view similar products for [Pluggable Terminal Blocks](#) category:

Click to view products by [Amphenol](#) manufacturer:

Other Similar products are found below :

[57.510.0053](#) [MC 1.5/ 6-ST-3.5 GY AU](#) [734-104](#) [734-302](#) [8-141-P](#) [8426620000](#) [860505](#) [860810](#) [GBPACX-12](#) [93.731.4953.0](#) [PV05-5,08-K](#)
[PVP04-3,50](#) [PVS02-5,00](#) [1-1986160-3](#) [1377680000](#) [1531000000](#) [1546228-5](#) [ELFH16150](#) [ELFP03110](#) [ELFP10210](#) [ELFT06250](#)
[ELVP03100](#) [1700410](#) [1700425](#) [1702246](#) [1717806](#) [1719600](#) [1734692](#) [1734795](#) [1740291](#) [1752441](#) [1752865](#) [1754144](#) [1760051](#) [1760336](#)
[1777701](#) [1783410](#) [1800227](#) [1801080](#) [1836888](#) [1848818](#) [1849079](#) [1860870](#) [1876327](#) [1896417](#) [1903096](#) [19346](#) [1946309](#) [1970579](#) [1973592](#)