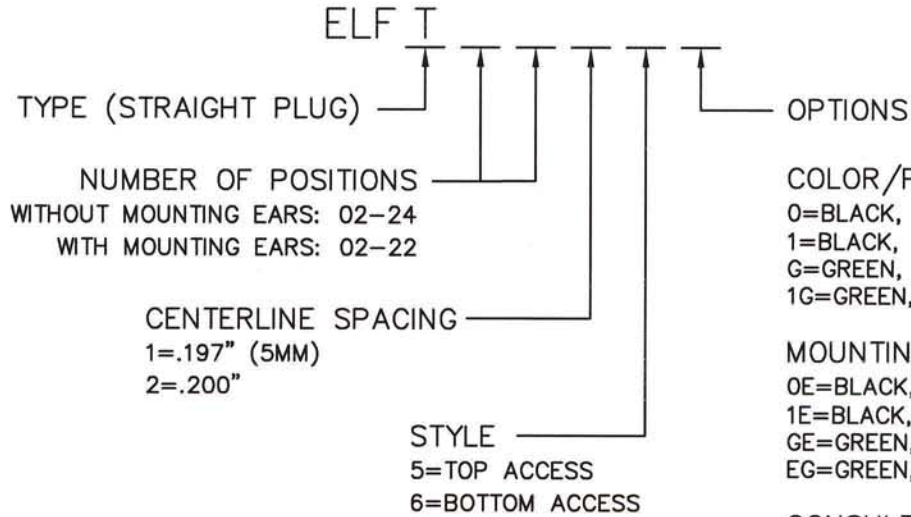


# ELFT SERIES PART NUMBERING SCHEME

|     |      |              |
|-----|------|--------------|
| REV | ECN  | APPD         |
| -   | 3600 | JEC 12/11/98 |
| A   | 4686 | JCN 12/28/05 |



**COLOR/PLATING**  
 0=BLACK, TIN (STANDARD)  
 1=BLACK, SELECTIVE GOLD  
 G=GREEN, TIN  
 1G=GREEN, SEL. GOLD

**MOUNTING EARS**  
 OE=BLACK, TIN  
 1E=BLACK, SEL. GOLD  
 GE=GREEN, TIN  
 EG=GREEN, SEL. GOLD

CONSULT PCD FOR PART NO. AND AVAILABILITY OF FOLLOWING OPTIONS:  
 \* CUSTOM COLORS  
 \* CUSTOM MARKING  
 \* CUSTOM KEYING  
 \* SELECTIVE CONTACT LOADING

**RU**  
**RATINGS**  
 CURRENT - 15A  
 VOLTAGE - 300V  
 U.L. FILE NO. E83421

**SP**  
**RATINGS**  
 CURRENT - 15A  
 VOLTAGE - 300V  
 CSA FILE NO. LR69703

DIN VDE 0627:1986  
 DIN VDE 0110-1:1989  
 EN 60947-1:1991  
 EN 60947-7-1:1992  
 CURRENT - 15A  
 VOLTAGE - 300 V  
 TUV FILE NO. 20396

**INSTALLATION RECOMMENDATIONS:**  
 WIRE RANGE: AWG #14-26, STRANDED OR SOLID; AWG #12 STRANDED  
 WIRE STRIP LENGTH: .310"  
 TIGHTENING TORQUE: 7 LB-IN.

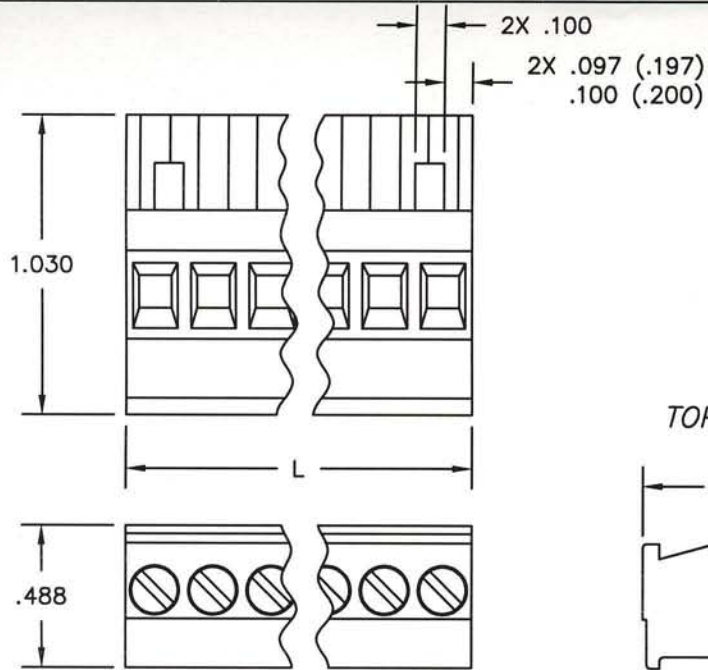
**MATERIALS:**  
 HOUSING: PPO, UL 94 V-0  
 CONTACT: COPPER ALLOY, OPTIONAL FINISH  
 SCREW: STEEL, NICKEL FINISH  
 WIRE CLAMP: COPPER ALLOY, NICKEL FINISH

MAX OPERATING TEMPERATURE: 105°C

|  |  |                       |   |  |                             |                 |
|--|--|-----------------------|---|--|-----------------------------|-----------------|
| <b>DIMENSIONS</b><br>ANSI Y14.5M<br>UNITS: INCHES<br>ACAD FILE | <b>TOLERANCES</b><br>.XX ±.01<br>.XXX ±.005<br>ANGLES ±2°  | <b>PROJECTION</b><br> | <h2 style="margin: 0;">Amphenol Pcd</h2> <p style="margin: 0;">SPECIFICATION DRAWING</p> <hr/> ENGR<br>J. WILKINSON 11/8/98 | <b>TITLE</b><br><h2 style="margin: 0;">ELFT SERIES</h2> <h3 style="margin: 0;">PLUGGABLE TERMINAL BLOCK, STRAIGHT</h3> |                             |                 |
| ORIGINAL STAMPED IN RED  | THIS DOCUMENT CONTAINS PROPRIETARY INFORMATION WHICH IS THE CONFIDENTIAL PROPERTY OF AMPHENOL PCD INC. PEABODY, MA |                       | CHKD<br>A. PATRIE 12/4/98   | SIZE<br><b>A</b>   | DWG NO.<br><b>ELFT02150</b> | REV<br><b>B</b> |
|  |  |                       | APPD<br>J. CAHALY 12/11/98  |  | CODE: 58982                 | SCALE: NONE     |

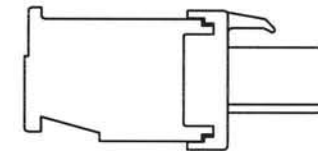
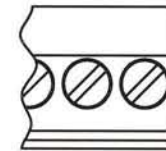
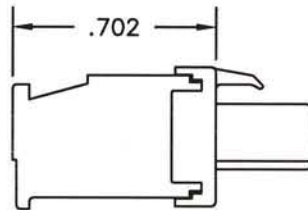
WITHOUT MOUNTING EARS

L=NUM OF POS X CL SPACING



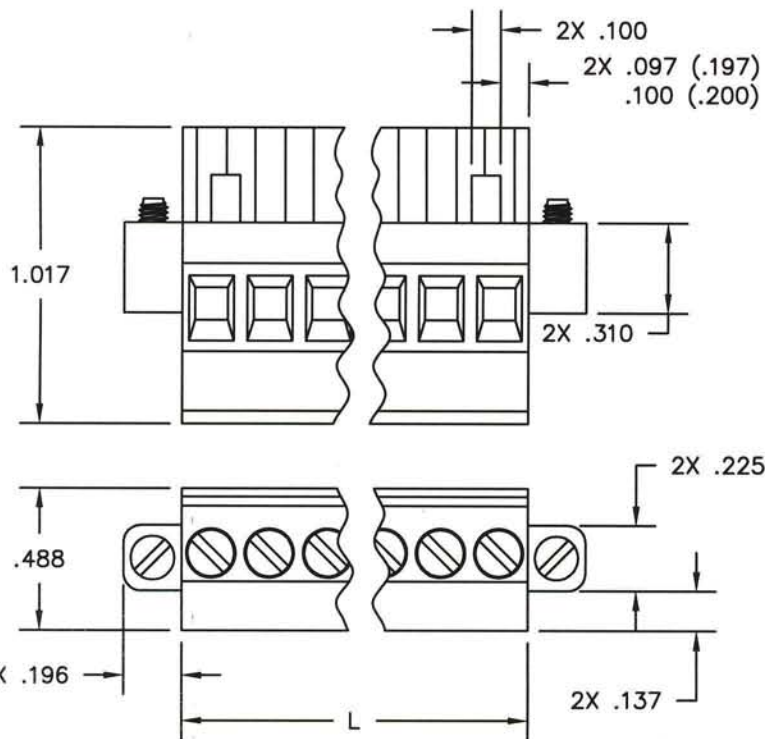
TOP ACCESS

BOTTOM ACCESS



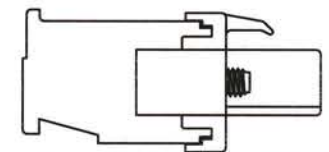
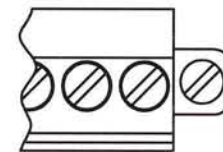
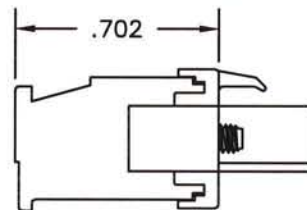
WITH MOUNTING EARS

L=NUM OF POS X CL SPACING



TOP ACCESS

BOTTOM ACCESS



|             |             |              |
|-------------|-------------|--------------|
| SIZE        | DWG NO.     | REV          |
| A           | ELFT02150   | B            |
| CODE: 58982 | SCALE: NONE | SHEET 2 OF 2 |

## X-ON Electronics

Largest Supplier of Electrical and Electronic Components

*Click to view similar products for [Pluggable Terminal Blocks](#) category:*

*Click to view products by [Amphenol](#) manufacturer:*

Other Similar products are found below :

[57.404.7553](#) [57.504.0053.7](#) [57.510.0053](#) [57.910.6153](#) [01.112.1453](#) [CTB932VE/6](#) [MC 1.5/ 6-ST-3.5 GY AU](#) [ET02015000J0G](#) [734-104](#) [734-302](#) [734-304](#) [8-141-P](#) [FKCT 2.5/ 3-ST KMGY](#) [860505](#) [860508](#) [860516](#) [860810](#) [861908](#) [GBPACX-12](#) [93.731.4953.0](#) [PV05-5,08-K](#) [PVP02-5,00](#) [PVP04-3,50](#) [PVS02-5,00](#) [1-1986160-3](#) [H-10](#) [1546228-5](#) [ELFH09150](#) [ELFH16150](#) [ELFP03110](#) [ELFT06250](#) [ELFT07250](#) [ELVF09400](#) [ELVP03100](#) [ELXH03100](#) [ELXH071G0E](#) [ELXP041G0](#) [ELXT046G0](#) [1700101](#) [1700410](#) [1700425](#) [1703176](#) [1705229](#) [1710175](#) [1714537](#) [1717806](#) [1719600](#) [1729386](#) [1734692](#) [1734795](#)