

# ELM SERIES PART NUMBERING SCHEME

REV	ECN	APPD
A	3891	JEC 12/22/99
B	5742	RN 12/28/05

ELM

NUMBER OF POSITIONS  
(ASSEMBLIES COMPRISED OF TWO  
AND/OR THREE POS MODULES)

STYLE  
1=HORIZONTAL WIRE ENTRY  
3=ANGLED WIRE ENTRY  
9=VERTICAL WIRE ENTRY

CENTERLINE SPACING

1 = .197" (5MM)  
2 = .200"  
3 = .394" (10MM) W/ PLUG INSERT, CONTACT LEADING  
4 = .400" W/ PLUG INSERT, CONTACT LEADING  
5 = .394" (10MM) W/ PLUG INSERT, PLUG LEADING  
6 = .400" W/ PLUG INSERT, PLUG LEADING

OPTIONS  
00=BLACK (STANDARD)  
0G=GREEN

CONSULT PCD FOR PART NO. AND  
AVAILABILITY OF FOLLOWING OPTIONS:  
- CUSTOM COLORS  
- CUSTOM MARKING  
- LOCK-DOWN EARS



**RATINGS**

CURRENT - 10A  
VOLTAGE - 300V, 600V\*  
U.L. FILE NO. E83421



**RATINGS**

CURRENT - 10A  
VOLTAGE - 300V, 600V\*  
CSA FILE NO. LR69703

DIN VDE 0627:1986  
DIN VDE 0110-1:1989  
EN 60947-1:1991  
EN 60947-7-1:1992

CURRENT - N/A  
VOLTAGE - N/A  
TUV FILE NO. N/A

\* PENDING  
CL SPACING CODE:  
3, 4, 5, 6

INSTALLATION  
RECOMMENDATIONS:  
WIRE RANGE: AWG #12-28  
WIRE STRIP LENGTH: .250"  
TIGHTENING TORQUE: 7 LB-IN.

MATERIALS:  
HOUSING: PBT, UL 94 V-0  
CONTACT: BRASS, TIN FINISH  
SCREW: COPPER ALLOY, NICKEL FINISH  
WIRE CLAMP: COPPER ALLOY, NICKEL FINISH

MAX OPERATING TEMPERATURE:  
105°C

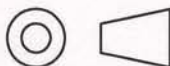
**DIMENSIONS**

ANSI Y14.5M  
UNITS: INCHES  
ACAD FILE

**TOLERANCES**

.XX ±.01  
.XXX ±.005  
ANGLES ±2°

**PROJECTION**



**Amphenol Pcd**

*SPECIFICATION DRAWING*

ENGR  
J. WILKINSON 12/22/99

CHKD  
A. PATRIE 12/8/98

APPD  
J. CAHALY 12-11-98

*TITLE*

ELM SERIES  
TERMINAL BLOCK  
BOARD MOUNT

ORIGINAL  
STAMPED  
IN RED

*THIS DOCUMENT CONTAINS  
PROPRIETARY INFORMATION WHICH  
IS THE CONFIDENTIAL PROPERTY  
OF AMPHENOL PCD INC. PEABODY, MA*

SIZE DWG NO.

A

ELM021100

REV

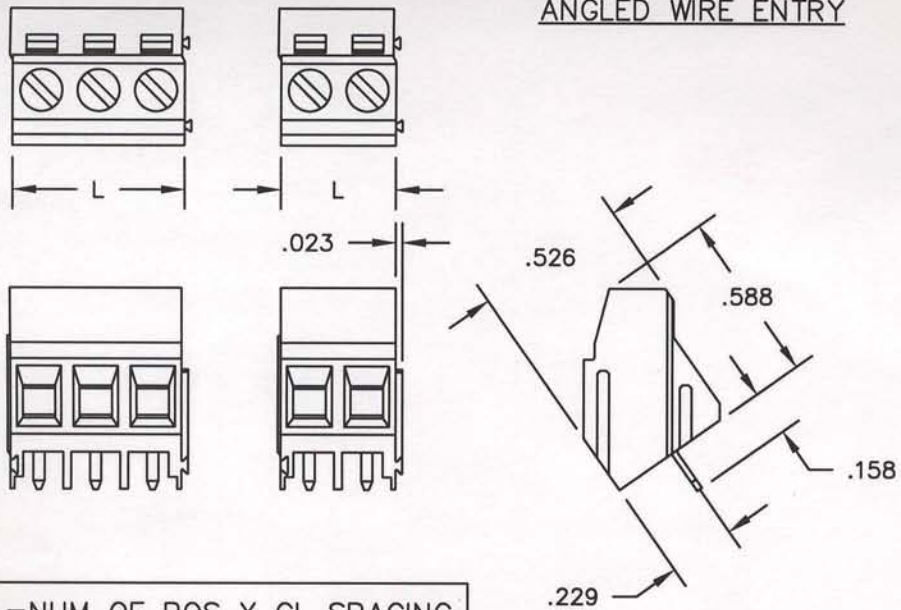
B

CODE: 58982

SCALE: NONE

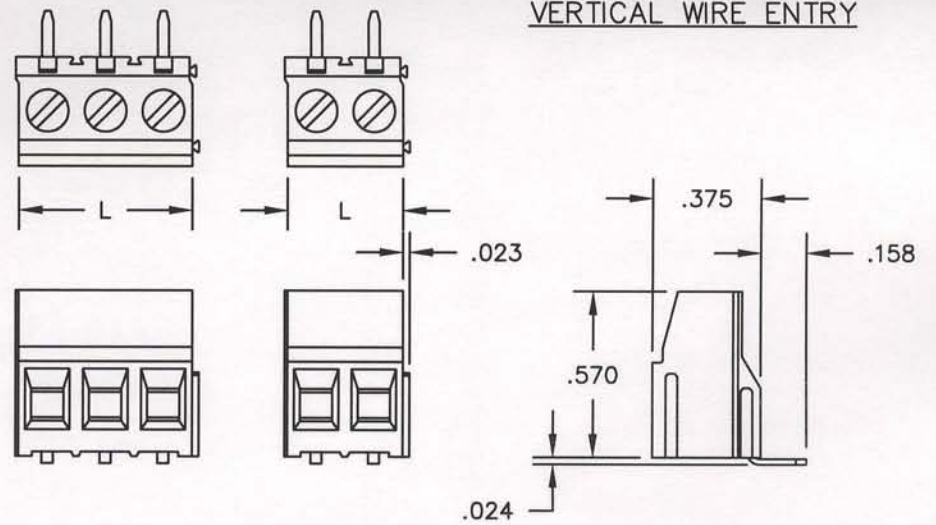
SHEET 1 OF 3

ANGLED WIRE ENTRY



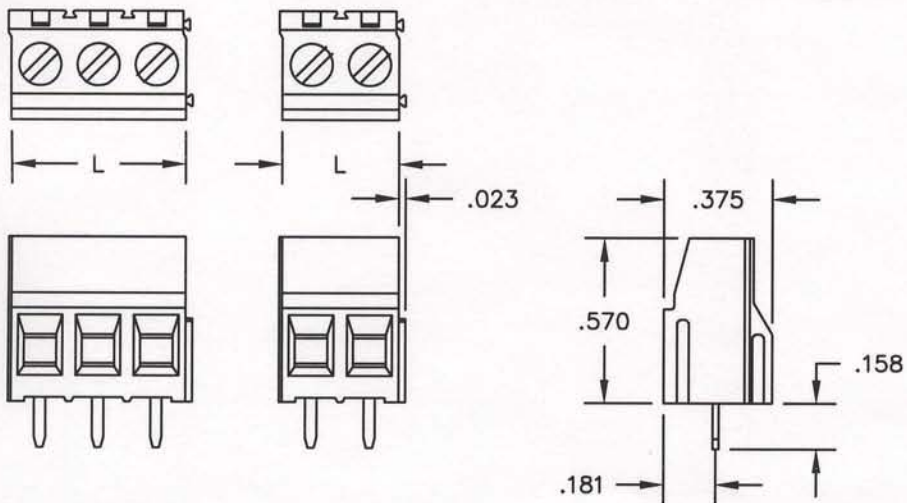
L=NUM OF POS X CL SPACING

VERTICAL WIRE ENTRY



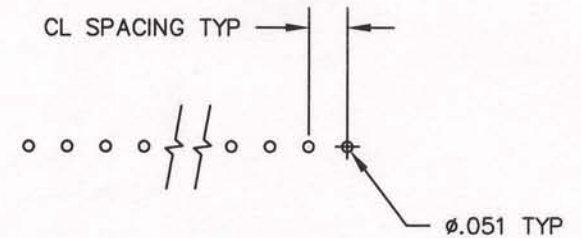
L=NUM OF POS X CL SPACING

HORIZONTAL WIRE ENTRY



L=NUM OF POS X CL SPACING

PRINTED CIRCUIT BOARD CONFIGURATION



RECOMMENDED PCB THICKNESS: .062±.008

SIZE

DWG NO.

REV

A

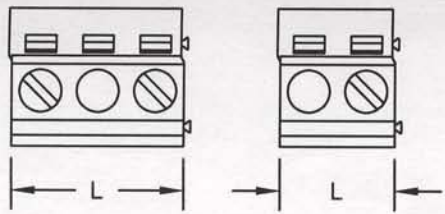
ELM021100

B

CODE: 58982

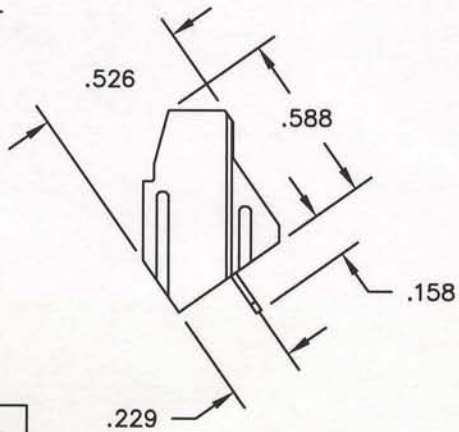
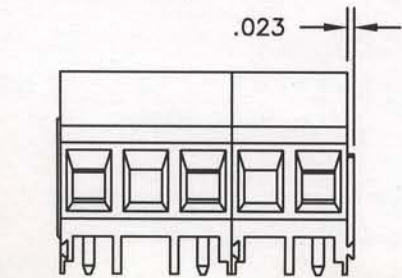
SCALE: NONE

SHEET 2 OF 3

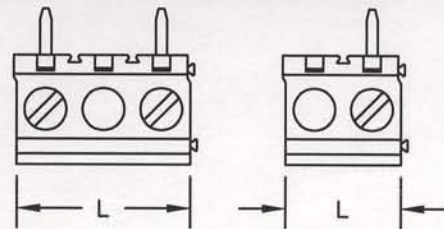


ANGLED WIRE ENTRY

.400" / 10MM CL

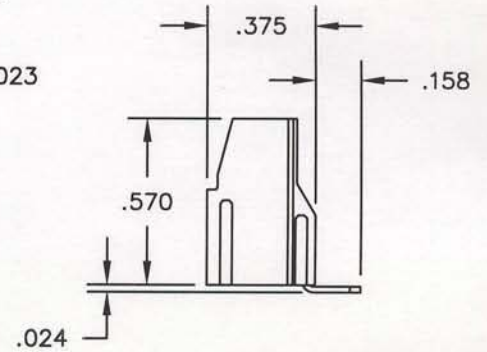
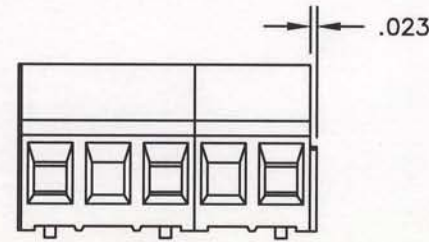


$L = \text{NUM OF POS} \times \text{CL} - \text{CL}/2$

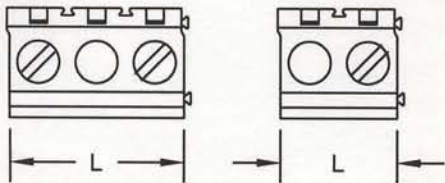


VERTICAL WIRE ENTRY

.400" / 10MM CL

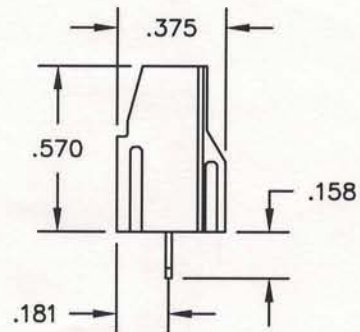
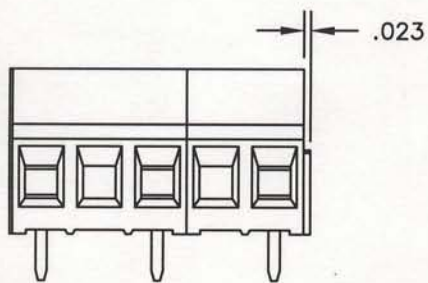


$L = \text{NUM OF POS} \times \text{CL} - \text{CL}/2$



HORIZONTAL WIRE ENTRY

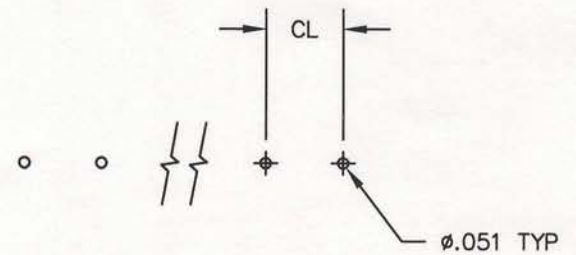
.400" / 10MM CL



$L = \text{NUM OF POS} \times \text{CL} - \text{CL}/2$

PRINTED CIRCUIT BOARD CONFIGURATION

.400" / 10MM CL



RECOMMENDED PCB THICKNESS: .062±.008

SIZE	DWG NO.	REV
A	ELM021100	B
CODE: 58982	SCALE: NONE	SHEET 3 OF 3

## **X-ON Electronics**

Largest Supplier of Electrical and Electronic Components

*Click to view similar products for [Fixed Terminal Blocks](#) category:*

*Click to view products by [Amphenol](#) manufacturer:*

Other Similar products are found below :

[00175550202](#) [MBE-1512](#) [MBE-1520](#) [MBE-154](#) [MBE-156](#) [MBES-1510](#) [MBES-153](#) [MBES-156](#) [MH-2512](#) [MHE-132](#) [MHE-133](#) [MHE-163](#)  
[MI-254 \(35\)](#) [MI-272](#) [8739](#) [880507](#) [880508](#) [MPT-275](#) [1546551-6](#) [ELM023100](#) [ELM10110G](#) [ELVD12100](#) [BA311TU](#) [BA411SU](#) [MV-152](#)  
[MV-253/NCNOC](#) [MV-254-D](#) [MV-255](#) [MV-462](#) [MV-472](#) [MV-493](#) [MVE-252](#) [MVE-253](#) [MVE-258](#) [MVE-273](#) [MVEB-153](#) [1700096](#)  
[1702246](#) [1705142](#) [1712417](#) [1713020](#) [1713088](#) [1776118-2](#) [1790852](#) [1-796689-8](#) [1-796692-6](#) [1800001](#) [1800114](#) [1823215](#) [1838462](#)