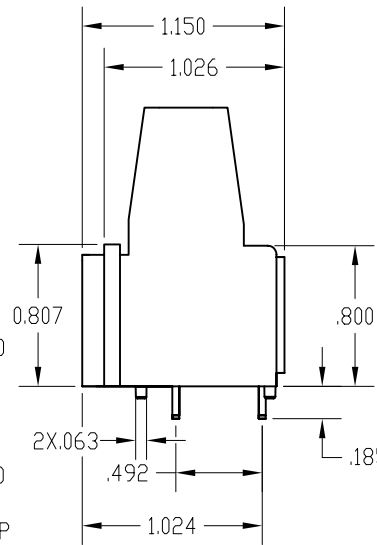
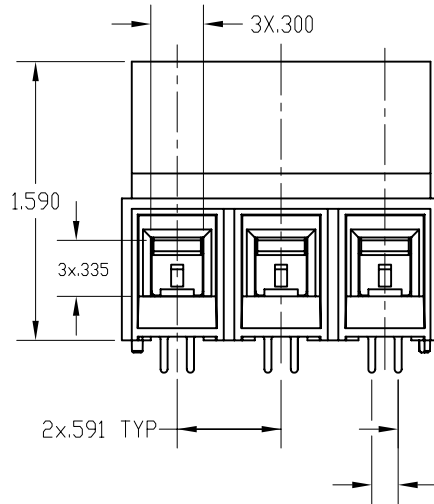
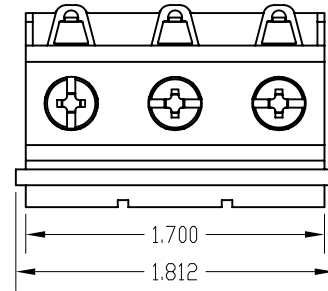
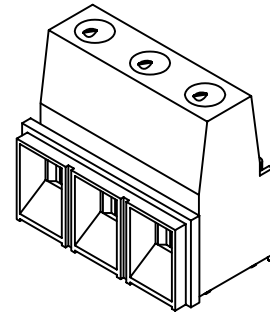
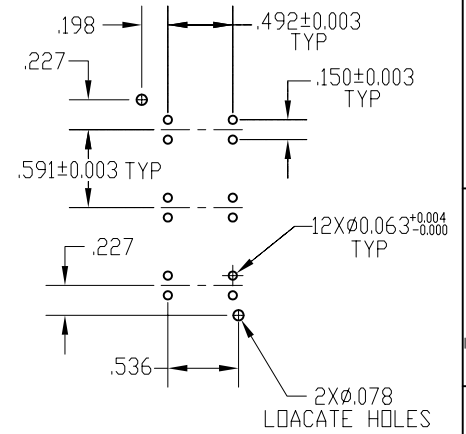


REV	ECN	DESCRIPTION	APP'D
1			



PRINTED CIRCUIT BOARD CONFIGURATION



RECOMMENDED PCB THICKNESS:
0.062±0.008

UL
PATINGS
CURRENT-75A PENDING
VOLTAGE-300V PENDING
U.L. FILE NO. E83421



CSA
PATINGS
CURRENT-75A PENDING
VOLTAGE-PENDING
CSA FILE NO:LR69703

DIN VDE 0627:1986
DIN VDE 0110-1:1989
EN 60947-1:1991
EN 60947-7-1:1992
CURRENT-75A PENDING
VOLTAGE- PENDING
TUV FILE NO. 20396

INSTALLATION
RECOMMENDATIONS:

WIRE RANGE: AWG#4-16AWG, STD OR SOLID
WIRE STRIP LENGTH: 0.630"(16.0MM)
TIGHTENING TORQUE: 20LB-IN.

MATERIAL:

HOUSING: PA,UL94V-0,BLACK
CONTACT: COPPER ALLOY, TIN PLATING PER ASTM B-545
SCREW: STEEL,ZINE PLATING PER ASTM B63398
WIRE CLAMP: STEEL ZINE PLATING PER ASTM B63398
OPERATING TEMPERATURE: -40°-120°

DIMENSIONS ANSI Y14.5M UNITS: INCHES Pro/E FILE	TOLERANCES .XX ±.001 .XXX ±.0001 ANGLES ±05°	PROJECTION 	Amphenol Pcd SPECIFICATION DRAWING		TITLE ELMP TERMINAL BLOCK 3 POS 15MM (0.591) CL		
			DRWN	ENGR	APPD	SIZE A	DWG NO. ELMP03051_C
ORIGINAL	THIS DOCUMENT CONTAINS PROPRIETARY INFORMATION WHICH IS THE CONFIDENTIAL PROPERTY OF AMPHENOL PCD, BEVERLY, MA			CODE: 58982	SCALE: NONE	SHEET 1 OF 1	

ELMP03051_C

ELMP03051_C

X-ON Electronics

Largest Supplier of Electrical and Electronic Components

Click to view similar products for [Fixed Terminal Blocks](#) category:

Click to view products by [Amphenol](#) manufacturer:

Other Similar products are found below :

[MBE-1512](#) [MBE-154](#) [MBE-156](#) [MBES-153](#) [MBES-156](#) [MH-2512](#) [MHE-132](#) [MHE-163](#) [MI-254 \(35\)](#) [MI-272](#) [880507](#) [MPT-275](#)
[15602-04-08-21](#) [BA311TU](#) [BA411SU](#) [MV-152](#) [MV-252-D](#) [MV-253/NCNOC](#) [MV-254-D](#) [MV-255](#) [MV-462](#) [MV-493](#) [MVE-252](#) [MVE-253](#)
[MVE-273](#) [MVEB-153](#) [1700096](#) [1705142](#) [1745195](#) [1760594](#) [1776118-2](#) [1-796689-8](#) [1-796692-6](#) [20020314-C121B01LF](#) [CB2-12](#)
[KP03215000J0G](#) [KP04215000J0G](#) [S451](#) [282802-2](#) [29.007](#) [29.116](#) [30.103](#) [30.106](#) [30.252](#) [30.503](#) [30.608](#) [30.753](#) [30.755](#) [30.756](#) [30.853](#)