

GENERAL TOLERANCE

DIM.RANGE	0.5 - 3	>3-6	>6-30	>30-120	>120-400
TOLERANCE	±0.1	±0.1	±0.2	±0.3	±0.5

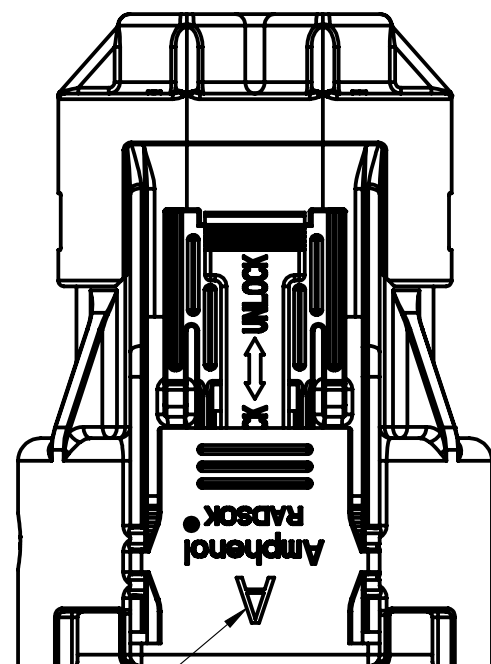
CUSTOMER DRAWING

REVISION

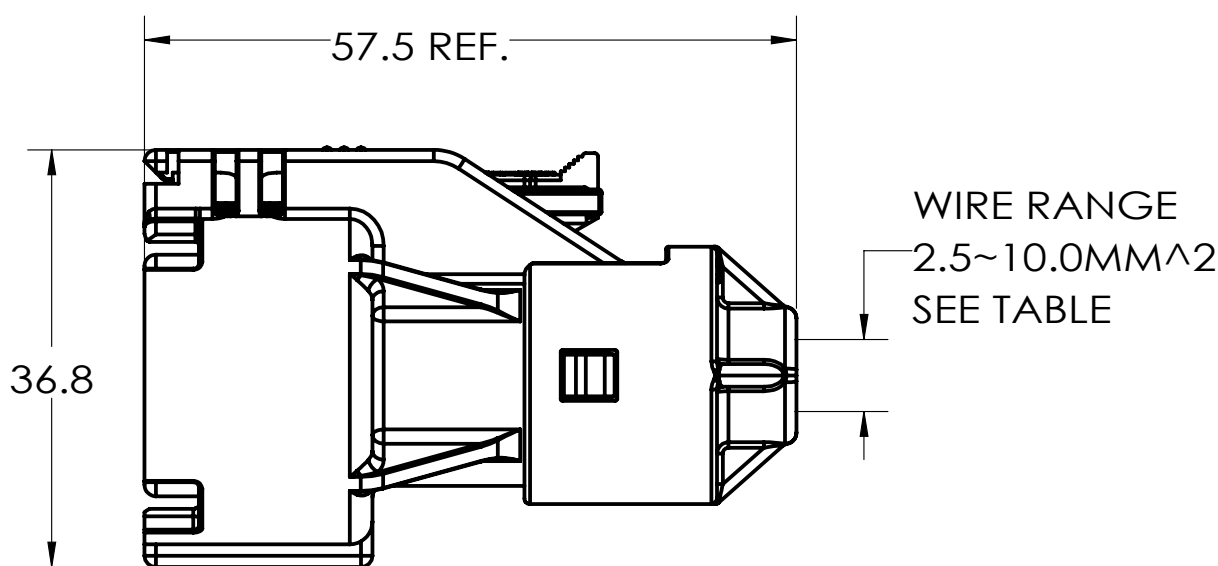
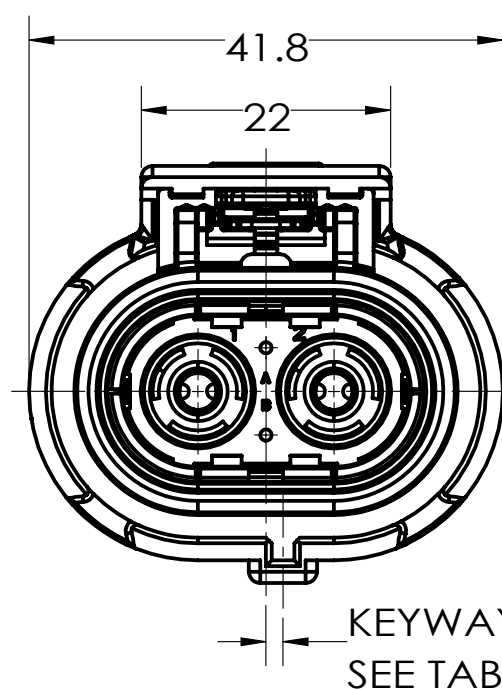
REV.	DESCRIPTION	DATE
A	INITIAL RELEASE	2016/01/22
B	UPDATE DESIGN ADD CODE LOGIC, SEE SHEET 2	2016/04/15
C	ADD CAVITY NO. UPDATE NOTES	2016/06/28
D	UPDATE PICTORIALLY REMOVE EXPLODED VIEW	2016/09/12
E	UPDATE OPERATING VOLTAGE	2016/10/12
F	UPDATE CODE NUMBER AND MFG NUMBER AND ADD WIRE RANGE	2017/01/05
G	ADD DC VOLTAGE APPLICATION	2017/07/10
H	ADD CABLE OD INFORMATION AND RATED CURRENT AND ADD NOTE 4	2017/12/05

SPECIFICATION

	2.5MM^2	4.0MM^2	6.0MM^2	10.0MM^2
CONTACT SIZE	2.5MM^2	4.0MM^2	6.0MM^2	10.0MM^2
RECOMMENDED WIRE OD	5.2±0.2	5.8±0.2	6.7±0.3	8.6±0.3
RATED CURRENT	25 A MAX.	35 A MAX.	50 A MAX.	70 A MAX.
OPERATING VOLTAGE	860 VAC/ 1000VDC			
TEST VOLTAGE(SEA LEVEL)	3000 VAC(RMS)			
OPERATING TEMPERATURE	-40C TO +125C			
NUMBER OF CONTACTS	2&2			
DURABILITY	100 MIN.			
WATER PROOF	IP67 (MATED)			
FINGER PROOF	YES			
HVIL	OPTIONAL			
SALT SPRAY	96H			



KEYWAY MARKING (A, Y, Z, U)



4. THE BENDING RADIUS OF CABLE SHOULD BE GREATER THAN 6 TIMES OD OF CABLE APPLICATION AND THE CABLE SHOULD BE STRAIGHTEN OUT 20MM MIN. FROM CABLE COVER.

3. FOR ORDER INFORMATION, PLEASE SEE MFG. AND CODE NUMBER REFERENCE. TO COMPLETE IT, ADD APPLICABLE CHARACTERS FOR DESIRED REQUIREMENT. SEE PAGE 2 FOR DETAIL INFORMATION.

2. THE DRAWINGS ILLUSTRATE FINALL ASSEMBLY. FOR STORAGE AND SHIPPING, THE POWER CONTACTS, CABLE GROMMET AND CABLE COVER ARE SHIPPED UNASSEMBLED.

1. THE REFERENCED PRODUCT IS IN COMPLIANCE WITH THE MAXIMUM CONCENTRATION VALUES (MCVS) AS SET BY ROHS 2.0 DIRECTIVE 2011/65/EU AND ANNEX II AMENDMENT DIRECTIVE (EU)2015/863.



NOTES:

THIS DOCUMENT CONTAINS PROPRIETARY INFORMATION AND SUCH INFORMATION MAY NOT BE DISCLOSED TO OTHERS FOR ANY PURPOSE OR USED FOR MANUFACTURING PURPOSES WITHOUT WRITTEN PERMISSION FROM THE AMPHENOL CORP.

UNLESS OTHERWISE SPECIFIED		APPROVALS		DATE
LINEAR DIMENSIONS ARE IN: MILLIMETERS TOLERANCES: ANGLES= ±2° DEFAULT LINEAR TOLERANCES SEE TABLE		PREPARED BY:	CARL YANG	2017/12/05
DIM. & TOL. PER ASME Y14.5M-1994; DRM PER MIL-DTL-31000; OTHER AMPHENOL STANDARDS: 9-3800		ENGINEER IN CHANGE:	CARL YANG	
LEGENDS: =FLAG NOTE CALL OUT REFERENCE		DESIGN MANAGER:	ROB WENG	
THIRD ANGLE PROJECTION		PRODUCT GROUP:	C&I	
		AIPG DIVISION:		
		MATERIAL SPEC	PROCESS SPEC	
		N/A	N/A	

AMPHENOL INDUSTRIAL OPERATIONS
Amphenol Technology(Zhuhai)Co.,Ltd
No.63, Xingnan Road, Sanzao Town, Jinwan, Zhuhai, PRC

PLUG CONNECTOR
2 PORTS E POWER LITE SERIES

SIZE	CAGE CODE	DOCUMENT NUMBER	REV
C	77820	()-738026-2()S()	H
SCALE: 2:1		REF: C10-737476-2()S()	SHEET 1 OF 2

CODE NUMBER REFERENCE: ELP2() () ()

KEYWAY MARKING
SEE TABLE 1

WIRE SIZE
SEE TABLE 1

HVIL & EMI OPTIONAL
SEE TABLE 1

MFG NUMBER REFERENCE: C() -738026-2() S()

HVIL & EMI OPTIONAL
SEE TABLE 2

KEYWAY MARKING
SEE TABLE 2

WIRE SIZE
SEE TABLE 2

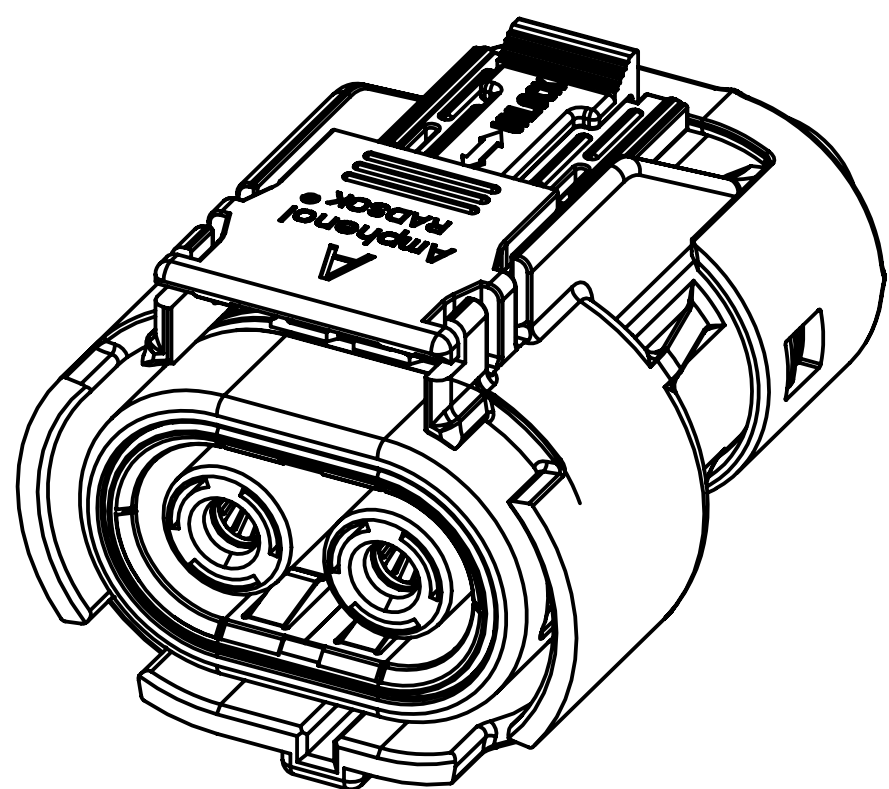


TABLE 1

ITEM NO.	DESCRIPTION	CODE NUMBER	DIMENSION B
KEYWAY MARKING	KEYWAY A	A	1.5
	KEYWAY Y	Y	3
	KEYWAY Z	Z	0
	KEYWAY U	U	-3
WIRE SIZE	2.5MM^2	01	
	4.0MM^2	02	
	6.0MM^2	03	
	10.0MM^2	04	
HVIL & EMI OPTIONAL	WITH EMI & HVIL	--	
	WITH EMI & W/O HVIL	01	
	W/O EMI & WITH HVIL	10	
	W/O EMI & HVIL	11	

TABLE 2

ITEM NO.	DESCRIPTION	CODE NUMBER	DIMENSION B
KEYWAY MARKING	KEYWAY A	A	1.5
	KEYWAY Y	Y	3
	KEYWAY Z	Z	0
	KEYWAY U	U	-3
WIRE SIZE	2.5MM^2	1	
	4.0MM^2	2	
	6.0MM^2	3	
	10.0MM^2)	4	
HVIL & EMI OPTIONAL	WITH EMI & HVIL	10	
	WITH EMI & W/O HVIL	20	
	W/O EMI & WITH HVIL	30	
	W/O EMI & HVIL	40	

NOTES: SEE SHEET 1

THIS DOCUMENT CONTAINS PROPRIETARY INFORMATION AND SUCH INFORMATION MAY NOT BE DISCLOSED TO OTHERS FOR ANY PURPOSE OR USED FOR MANUFACTURING PURPOSES WITHOUT WRITTEN PERMISSION FROM THE AMPHENOL CORP.

SIZE	CAGE CODE	DOCUMENT NUMBER	REV
C	77820	()-738026-2() S()	H
SCALE: 2:1	REF: C10-737476-2() S()	SHEET 2 OF 2	

X-ON Electronics

Largest Supplier of Electrical and Electronic Components

Click to view similar products for [Rectangular MIL Spec Connectors](#) category:

Click to view products by [Amphenol](#) manufacturer:

Other Similar products are found below :

[891-011-15SA2-BSST](#) [M32139/03-B06ST](#) [65002-062](#) [M85049/28-1](#) [M85049/28-2](#) [77058-22-55PN](#) [86.030.0053.0](#) [GMCT26M0E100JC](#)
[BACC65CAMA](#) [890-009-31SA2-BRT1T](#) [27963-20T12](#) [SIM2N40NC3](#) [SIM2S100A](#) [1604996-2](#) [SMD25PN90L-4055](#) [22628-10-6P-791](#)
[GMCT66F0T0000](#) [CTD160E01F-6148](#) [CTJ-3D-12](#) [CTJ920E06N-513](#) [CTL-16-090](#) [CY4600-000](#) [CY4601-000](#) [38111-14-15SN](#)
[TMN2N037PC2DM018S](#) [TMN2N051SC2DM018T](#) [MMD25-0071P1](#) [33526M11-08PC](#) [33526M11-08PE](#) [3355-5869-000](#) [DMC-M99-01AN](#)
[ZPF000000000106310](#) [105979-31](#) [SIM2N40NC1](#) [SIM2N40NC2](#) [SIME2022PNR](#) [TMN2N009SC2DM018T](#) [ZPF000000000015295](#)
[ZPF000000000134011](#) [ZPF000000000106308](#) [ZPF000000000102759](#) [CTG-20-08-513](#) [5634-201-03158](#) [5634-202-03758](#) [MMH43-0051J1](#)
[MMH43-0091J1](#) [MMB41-0071K1](#) [EN4165A20-221BA](#) [EI-1470-2400](#) [507-002CH](#)