

# ELVF SERIES PART NUMBERING SCHEME

| REV | ECN  | APP'D       |
|-----|------|-------------|
| -   | 4498 | IQ 7/31/01  |
| A   | 4974 | IQ 9/10/02  |
| B   | 5742 | PN 12/28/05 |

ELVF           4 0

NUMBER OF POSITIONS  
2 - 20

E = EARS

COLOR AND PLATING

- 0 = BLACK, TIN (STANDARD)
- G = GREEN, TIN
- 1 = BLACK, SELECTIVE GOLD
- 2 = GREEN, SEL. GOLD

- CONSULT PCD FOR PART NO. AND AVAILABILITY OF FOLLOWING OPTIONS:
- \* CUSTOM COLORS
  - \* CUSTOM MARKING
  - \* CUSTOM KEYING
  - \* SELECTIVE CONTACT LOADING
  - \* EARS

### INSTALLATION RECOMMENDATIONS:

WIRE RANGE: AWG #16-28, STRANDED OR SOLID  
 WIRE STRIP LENGTH: .375" (9,52mm)  
 TIGHTENING TORQUE: 2.2 LB-IN (,25 N-M)

### MATERIALS:

HOUSING: PA 66-6, UL 94 V-0  
 CONTACT: COPPER ALLOY, TIN  
 OR GOLD FINISH  
 SCREW: COPPER ALLOY, NICKEL FINISH  
 WIRE CLAMP: COPPER ALLOY, NICKEL FINISH

MAX OPERATING TEMP: 105°C



RATINGS

CURRENT - 12A

VOLTAGE - 300V

U.L. FILE NO. E83421



RATINGS

CURRENT - 12 A

VOLTAGE - 300 V

CSA FILE NO. PENDING

DIN VDE 0627:1986

DIN VDE 0110-1:1989

EN 60947-1:1991

EN 60947-7-1:1992

CURRENT - 12 A

VOLTAGE - 300 V

TUV FILE NO. PENDING

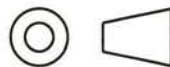
### DIMENSIONS

ANSI Y14.5M  
 UNITS: INCHES  
 Pro/E FILE

### TOLERANCES

.XX ±0.15  
 .XXX ±0.006  
 ANGLES ±2.0°

### PROJECTION



## Amphenol Pcd

ENGR

C. LASHUA 7/5/01

CHKD

A. PATRIE 12/19/01

APPD

I. QUINN 7/23/01

### TITLE

ELVF SERIES  
 FRONT/FRONT CAGE CLAMP  
 TERMINAL BLOCK: .150 CL

ORIGINAL  
 STAMPED  
 IN RED

THIS DOCUMENT CONTAINS  
 PROPRIETARY INFORMATION WHICH  
 IS THE CONFIDENTIAL PROPERTY  
 OF AMPHENOL PCD, INC.  
 PEABODY, MA, USA

SIZE

A

DWG NO.

ELVF02400

REV

B

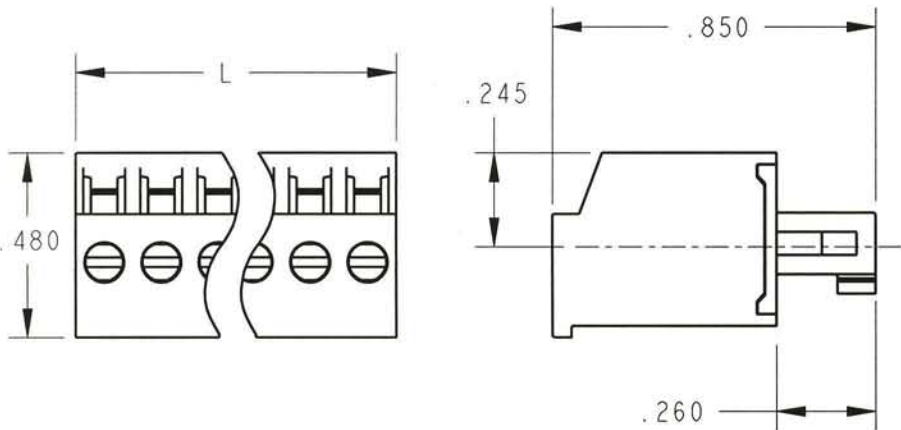
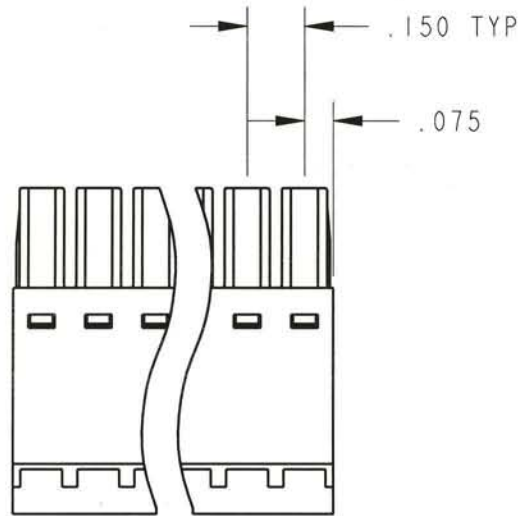
CODE: 58982

SCALE: NONE

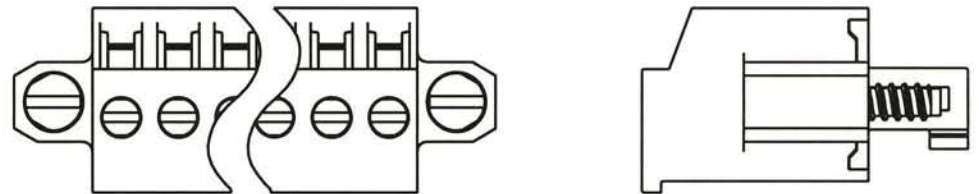
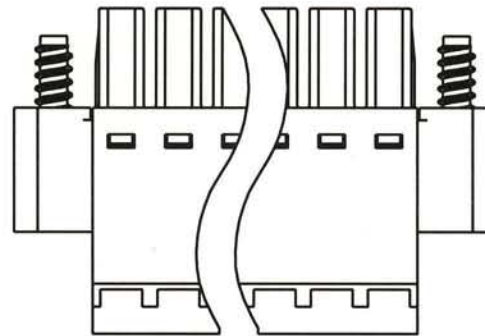
SHEET 1 OF 2

L=NUM OF POS X CL SPACING

ELVF WITHOUT EARS



ELVF WITH EARS



| SIZE        | DWG NO.     | REV          |
|-------------|-------------|--------------|
| A           | ELVF02400   | B            |
| CODE: 58982 | SCALE: NONE | SHEET 2 OF 2 |

## X-ON Electronics

Largest Supplier of Electrical and Electronic Components

*Click to view similar products for [amphenol manufacturer](#):*

Other Similar products are found below :

[CTV06RGQF-17-52P](#) [CTVPS00RGF-23-6P-LC](#) [GC835TY2S](#) [CF-509621-29P](#) [BF8-1218-31SV-Y70](#) [TVP00RGW-23-6SA\(LC\)](#)  
[RNJ27CI1535P014](#) [10-553998-139](#) [21-033388-031](#) [10-507142-843](#) [GTS06G-32-7S](#) [GTC06-36-78PX-023](#) [ACC02E28-51S-003-B30-LC](#)  
[TV06RL-13-35SD-LC](#) [TV06RL-13-35SD](#) [TV06RL-13-98SD-LC](#) [TV06RL-13-98SD](#) [GTC08AF32-15SX-B30-LC](#) [GTC06G32-76PZ](#)  
[TVP00RW-23-53AD](#) [100-007-213-002-001](#) [5M30-61](#) [FSPP-103-00-004](#) [360031](#) [10-037090-161](#) [10-541504-001](#) [10-580902-409](#) [TV97RW-](#)  
[9-9S\(S15\)](#) [TVPS00RGF-9-5P-LC](#) [TVPS00RGF-9-5PA-LC](#) [TVP00RGQW-21-75P-LC](#) [TV06RW-25-90AE](#) [97-3108B16S-5PW-417](#) [PT06J20-](#)  
[24SW](#) [97-3108B16S-4PY-417](#) [97-3108B16S-4PX-417](#) [97-3108B16S-5PY-417](#) [97-3108B16S-4PW-417](#) [CS-DSDMDB37MF-025](#) [97-](#)  
[3108B16S-5PZ-417](#) [TV06RW-25-46AE](#) [TVS07RF-21-16AA](#) [TVS07RF-21-39BA](#) [60261626SNCOND1](#) [SE00TVW09](#) [CF-5A9013-04N](#) [CF-](#)  
[6A4615-06N](#) [GTS01-22-22PX-025-116](#) [GTS01-22-22P-025-116](#) [GTS01-22-22P-116](#)