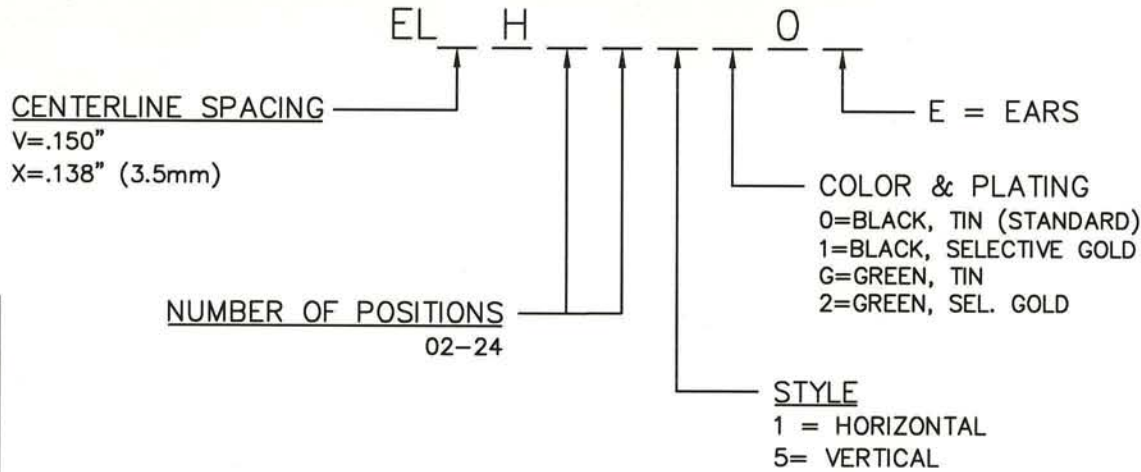


# ELVH/ELXH SERIES PART NUMBERING SCHEME

REV	ECN	APPD
-	3624	JEC 1-18-99
A	3729	JEC 4/12/99
B	3865	JEC 11-9-99
C	3943	JEC 3/24/99
D	4578	IQ 9/21/01
E	4661	IQ 11/26/01
F	4783	IQ 3/7/02
G	5742	DN 12/28/05



**UL RATINGS**  
CURRENT - 12A  
VOLTAGE - 300V  
U.L. FILE NO. E83421

**SP RATINGS**  
CURRENT - 12A  
VOLTAGE - 300V  
CSA FILE NO. LR69703

DIN VDE 0627:1986  
DIN VDE 0110-1:1989  
EN 60947-1:1991  
EN 60947-7-1:1992

CURRENT - 12A  
VOLTAGE - 300 V  
TUV FILE NO. 20396

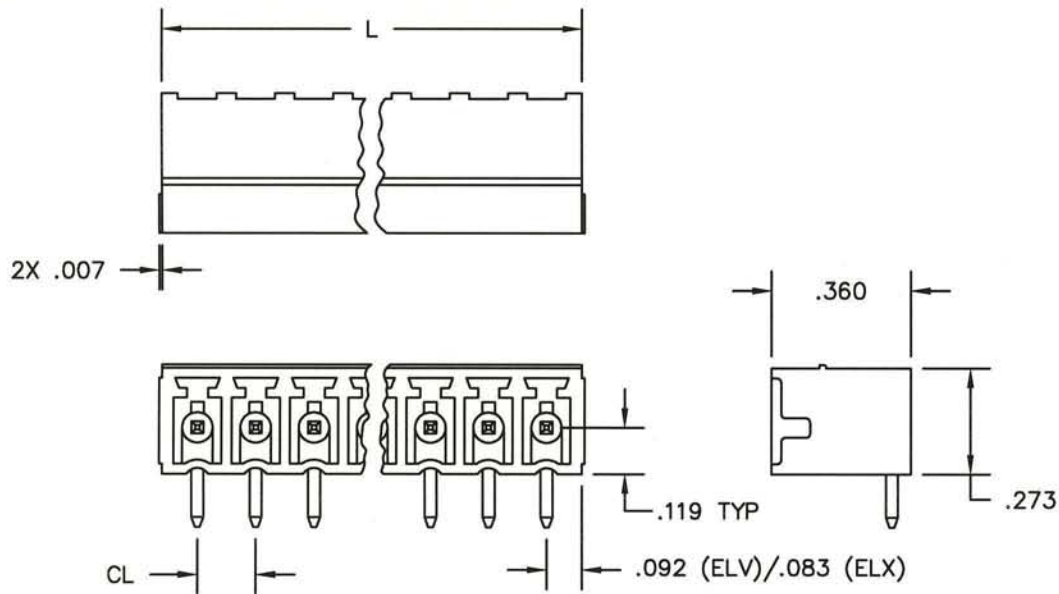
- CONSULT PCD FOR PART NO. AND AVAILABILITY OF FOLLOWING OPTIONS:
- \* CUSTOM COLORS
  - \* CUSTOM MARKING
  - \* CUSTOM KEYING
  - \* SELECTIVE CONTACT LOADING

**MATERIALS:**  
HOUSING: PA 4/6, UL 94 V-0  
CONTACT: BRASS, OPTIONAL FINISH

MAX OPERATING TEMPERATURE: 125°C  
MAX INTRUSIVE SOLDER TEMP: 250°C

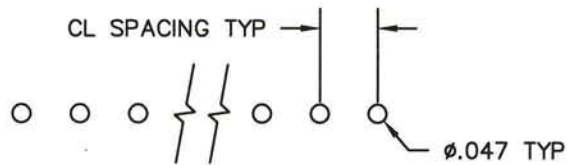
<b>DIMENSIONS</b> ANSI Y14.5M UNITS: INCHES ACAD FILE	<b>TOLERANCES</b> .XX ±.01 .XXX ±.005 ANGLES ±2°	<b>PROJECTION</b> 	<b>Amphenol Pcd</b> SPECIFICATION DRAWING		<b>TITLE</b> ELV/ELX SERIES HEADER		
			ENGR I. QUINN 12/21/98				
ORIGINAL STAMPED IN RED	THIS DOCUMENT CONTAINS PROPRIETARY INFORMATION WHICH IS THE CONFIDENTIAL PROPERTY OF AMPHENOL PCD INC. PEABODY, MA		CHKD J. CAHALY 1/18/99		SIZE A	DWG NO. ELVH02100	REV G
			APPD J. CAHALY 1/18/99				

STANDARD HEADER  
HORIZONTAL STYLE SHOWN



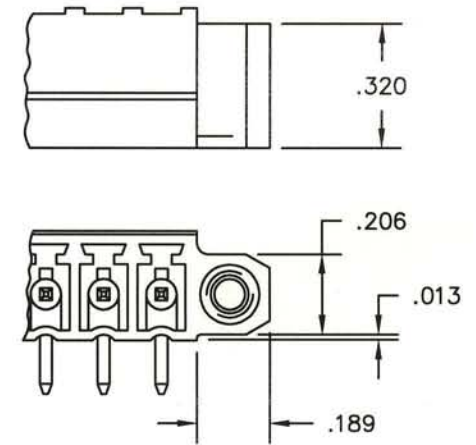
ELV: $L = (\text{NUM OF POS} \times .150) + .032''$
ELX: $L = (\text{NUM OF POS} \times .138) + .028''$

PRINTED CIRCUIT BOARD CONFIGURATION

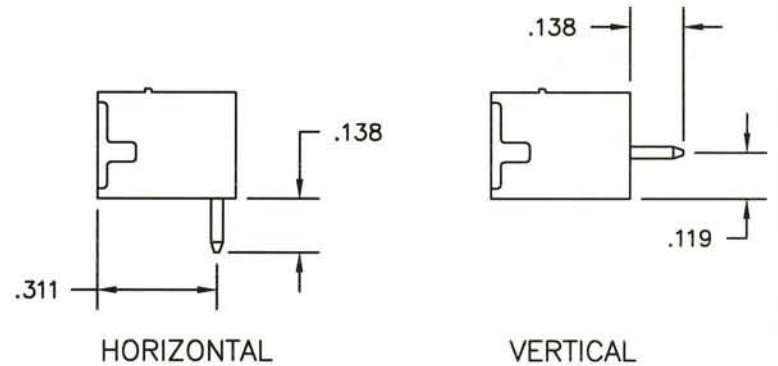


RECOMMENDED PCB THICKNESS: .062±.008

EAR CONFIGURATION



STYLE



SIZE	DWG NO.	DOC REV
A	ELVH02100	G
CODE: 58982	SCALE: NONE	SHEET 2 OF 2

## X-ON Electronics

Largest Supplier of Electrical and Electronic Components

*Click to view similar products for [Fixed Terminal Blocks](#) category:*

*Click to view products by [Amphenol](#) manufacturer:*

Other Similar products are found below :

[00175550202](#) [MBE-1512](#) [MBE-1520](#) [MBE-154](#) [MBE-156](#) [MBES-1510](#) [MBES-153](#) [MBES-156](#) [MH-2512](#) [MHE-132](#) [MHE-133](#) [MHE-163](#)  
[MI-254 \(35\)](#) [MI-272](#) [8739](#) [880507](#) [880508](#) [MPT-275](#) [1546551-6](#) [ELM023100](#) [ELM10110G](#) [ELVD12100](#) [BA311TU](#) [BA411SU](#) [MV-152](#)  
[MV-253/NCNOC](#) [MV-254-D](#) [MV-255](#) [MV-462](#) [MV-472](#) [MV-493](#) [MVE-252](#) [MVE-253](#) [MVE-258](#) [MVE-273](#) [MVEB-153](#) [1700096](#)  
[1702246](#) [1705142](#) [1712417](#) [1713020](#) [1713088](#) [1776118-2](#) [1790852](#) [1-796689-8](#) [1-796692-6](#) [1800001](#) [1800114](#) [1823215](#) [1838462](#)