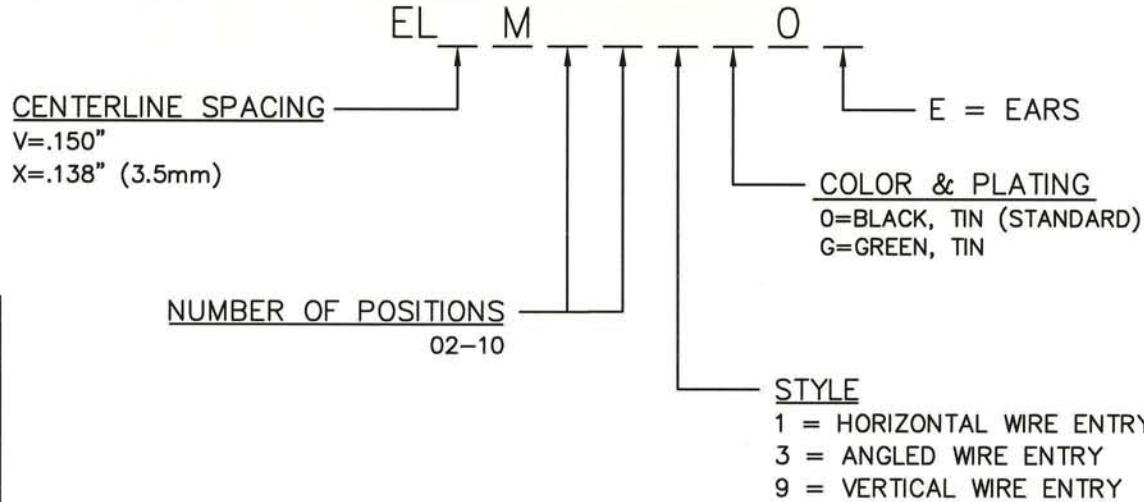


ELVM/ELXM SERIES PART NUMBERING SCHEME

| REV | ECN | APPD |
|-----|------|-------------|
| - | 3624 | JEC 1-19-99 |
| A | 3729 | JEC 4/12/99 |
| B | 3865 | JEC 11/9/99 |
| C | 5742 | RN 12/28/05 |



RU RATINGS

CURRENT - 12A
VOLTAGE - 300V
U.L. FILE NO. E83421

SP RATINGS

CURRENT - 12A
VOLTAGE - 300V
CSA FILE NO. LR69703

DIN VDE 0627:1986
DIN VDE 0110-1:1989
EN 60947-1:1991
EN 60947-7-1:1992

CURRENT - 12A
VOLTAGE - 300V
TUV FILE NO. 20396

INSTALLATION RECOMMENDATIONS:
WIRE RANGE: AWG #16-28, STRANDED OR SOLID
WIRE STRIP LENGTH: .250"
TIGHTENING TORQUE: 2.2 LB-IN.

MATERIALS:
HOUSING: PA 4/6, UL 94 V-0
CONTACT: BRASS, OPTIONAL FINISH

MAX OPERATING TEMPERATURE: 125°C
MAX INTRUSIVE SOLDER TEMP: 250°C

CONSULT PCD FOR PART NO. AND AVAILABILITY OF FOLLOWING OPTIONS:
* CUSTOM COLORS
* CUSTOM MARKING
* CUSTOM KEYING
* SELECTIVE CONTACT LOADING

DIMENSIONS

ANSI Y14.5M
UNITS: INCHES
ACAD FILE

TOLERANCES

.XX ±.01
.XXX ±.005
ANGLES ±2°

PROJECTION

Amphenol Pcd
SPECIFICATION DRAWING

ENGR
I. QUINN 12/21/98

TITLE

ELV/ELX SERIES
TERMINAL BLOCK

ORIGINAL
STAMPED
IN RED

THIS DOCUMENT CONTAINS
PROPRIETARY INFORMATION WHICH
IS THE CONFIDENTIAL PROPERTY
OF AMPHENOL PCD INC. PEABODY, MA

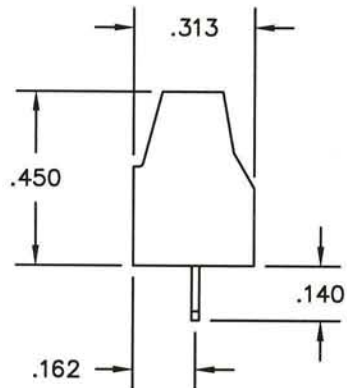
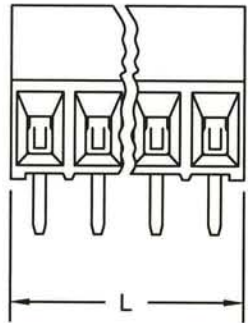
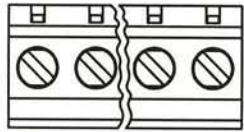
CHKD
J. CAHALY 1/19/99

APPD
J. CAHALY 1/19/99

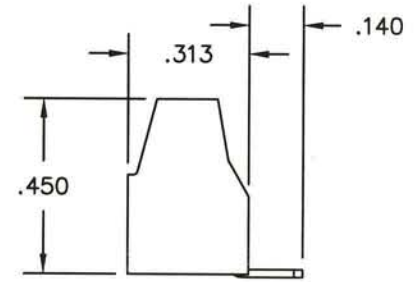
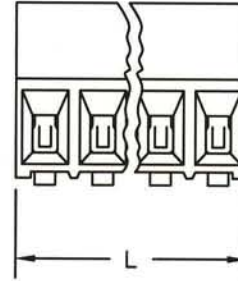
| | | |
|-------------|----------------------|--------------|
| SIZE A | DWG NO. ELVM02100 | REV C |
| CODE: 58982 | SCALE: NONE | SHEET 1 OF 2 |

L=NUM OF POS X CL SPACING

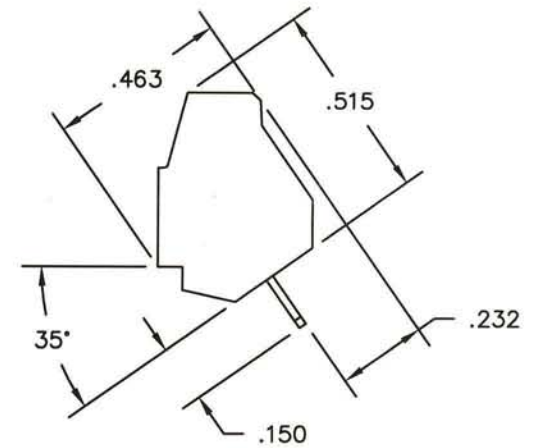
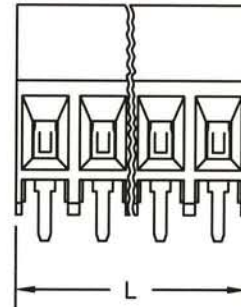
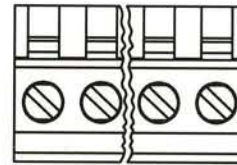
HORIZONTAL



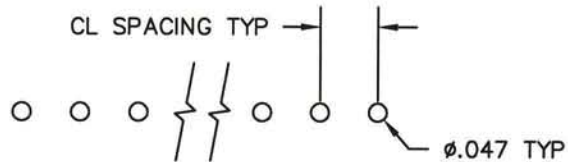
VERTICAL



ANGLED



PRINTED CIRCUIT BOARD CONFIGURATION



RECOMMENDED PCB THICKNESS: .062±.008

| | | |
|-------------|-------------|--------------|
| SIZE | DWG NO. | DOC REV |
| A | ELVM02100 | C |
| CODE: 58982 | SCALE: NONE | SHEET 2 OF 2 |

X-ON Electronics

Largest Supplier of Electrical and Electronic Components

Click to view similar products for [Fixed Terminal Blocks](#) category:

Click to view products by [Amphenol](#) manufacturer:

Other Similar products are found below :

[MBE-1512](#) [MBE-154](#) [MBE-156](#) [MBES-153](#) [MBES-156](#) [MH-2512](#) [MHE-132](#) [MHE-163](#) [MI-254 \(35\)](#) [MI-272](#) [880507](#) [MPT-275](#)
[15602-04-08-21](#) [BA311TU](#) [BA411SU](#) [MV-152](#) [MV-252-D](#) [MV-253/NCNOC](#) [MV-254-D](#) [MV-255](#) [MV-462](#) [MV-493](#) [MVE-252](#) [MVE-253](#)
[MVE-273](#) [MVEB-153](#) [1700096](#) [1705142](#) [1745195](#) [1760594](#) [1776118-2](#) [1-796689-8](#) [1-796692-6](#) [20020314-C121B01LF](#) [CB2-12](#)
[KP03215000J0G](#) [KP04215000J0G](#) [S451](#) [282802-2](#) [29.007](#) [29.116](#) [30.103](#) [30.106](#) [30.252](#) [30.503](#) [30.608](#) [30.753](#) [30.755](#) [30.756](#) [30.853](#)