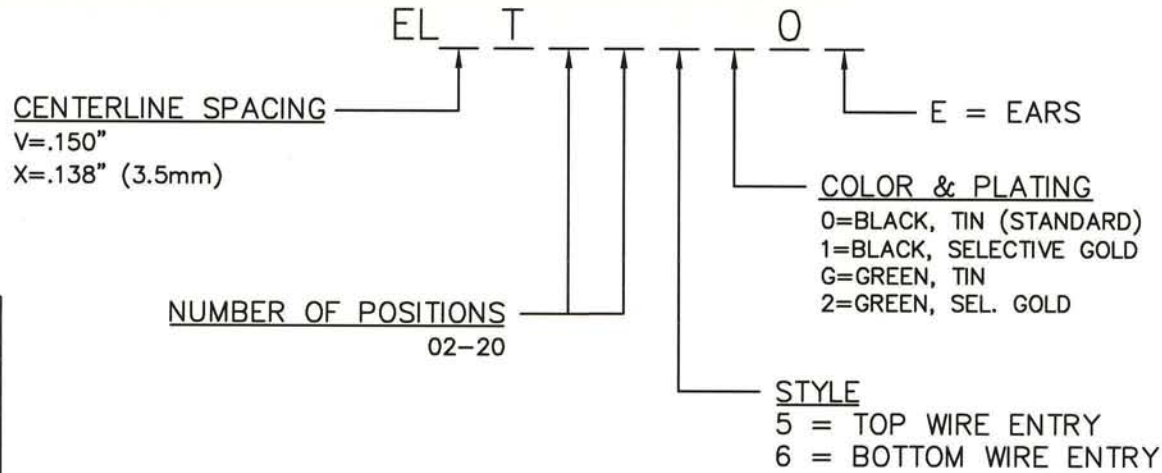


# ELVT/ELXT SERIES PART NUMBERING SCHEME

REV	ECN	APPD
-	3624	JEC 1-18-99
A	3865	JEC 11/9/99
B	5742	PN 12/28/05



**UL RATINGS**  
CURRENT - 12A  
VOLTAGE - 300V  
U.L. FILE NO. E83421

**SP RATINGS**  
CURRENT - 12A  
VOLTAGE - 300V  
CSA FILE NO. LR69703

DIN VDE 0627:1986  
DIN VDE 0110-1:1989  
EN 60947-1:1991  
EN 60947-7-1:1992

CURRENT - 12A  
VOLTAGE - 300 V  
TUV FILE NO. 20396

**INSTALLATION RECOMMENDATIONS:**  
WIRE RANGE: AWG #16-28, STRANDED OR SOLID  
WIRE STRIP LENGTH: .250"  
TIGHTENING TORQUE: 2.2 LB-IN.

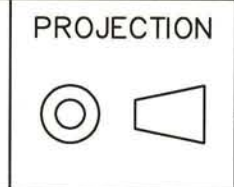
CONSULT PCD FOR PART NO. AND AVAILABILITY OF FOLLOWING OPTIONS:  
\* CUSTOM COLORS  
\* CUSTOM MARKING  
\* CUSTOM KEYING  
\* SELECTIVE CONTACT LOADING

**MATERIALS:**  
HOUSING: PA 4/6, UL 94 V-0  
CONTACT: COPPER ALLOY, OPTIONAL FINISH  
SCREW: COPPER ALLOY, NICKEL FINISH  
WIRE CLAMP: COPPER ALLOY, NICKEL FINISH

MAX OPERATING TEMPERATURE:  
125°C

**DIMENSIONS**  
ANSI Y14.5M  
UNITS: INCHES  
ACAD FILE

**TOLERANCES**  
.XX ±.01  
.XXX ±.005  
ANGLES ±2°



**Amphenol Pcd**  
SPECIFICATION DRAWING

ENGR  
I. QUINN 12/21/98

**TITLE**

ELV/ELX SERIES  
PLUGGABLE TERMINAL  
BLOCK, STRAIGHT

ORIGINAL  
STAMPED  
IN RED

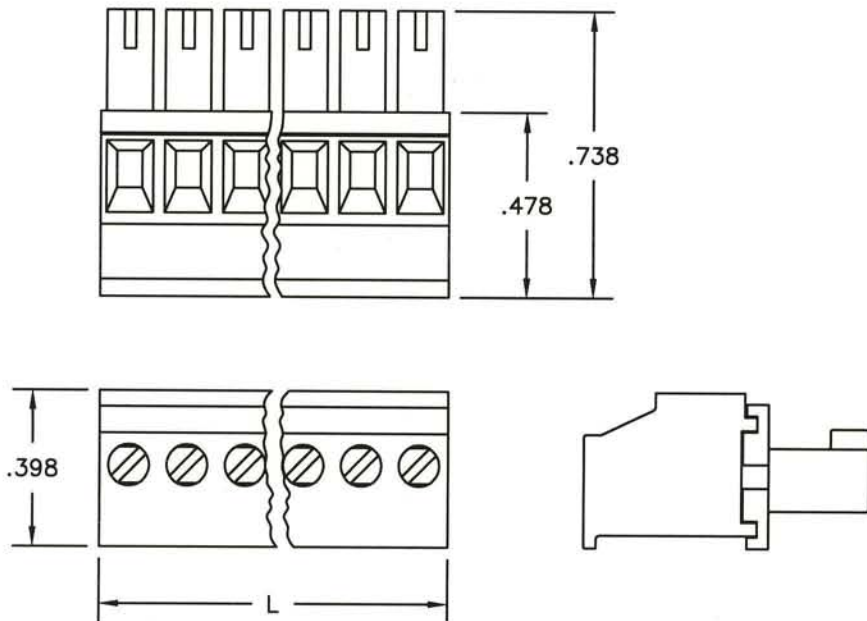
THIS DOCUMENT CONTAINS PROPRIETARY INFORMATION WHICH IS THE CONFIDENTIAL PROPERTY OF AMPHENOL PCD INC. PEABODY, MA

CHKD  
J. CAHALY 1/18/99

APPD  
J. CAHALY 1/18/99

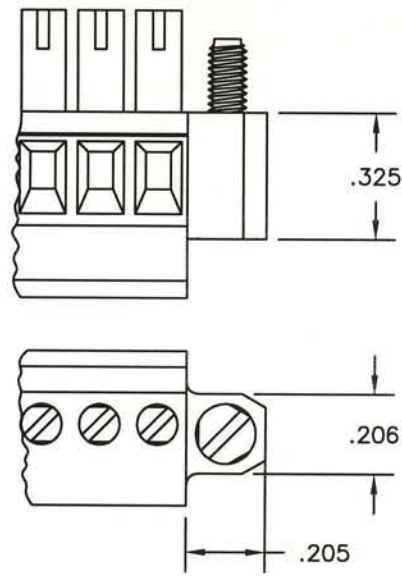
SIZE	DWG NO.	REV
A	ELVT02500	B
CODE: 58982	SCALE: NONE	SHEET 1 OF 2

STANDARD STRAIGHT PLUG, TOP WIRE ENTRY

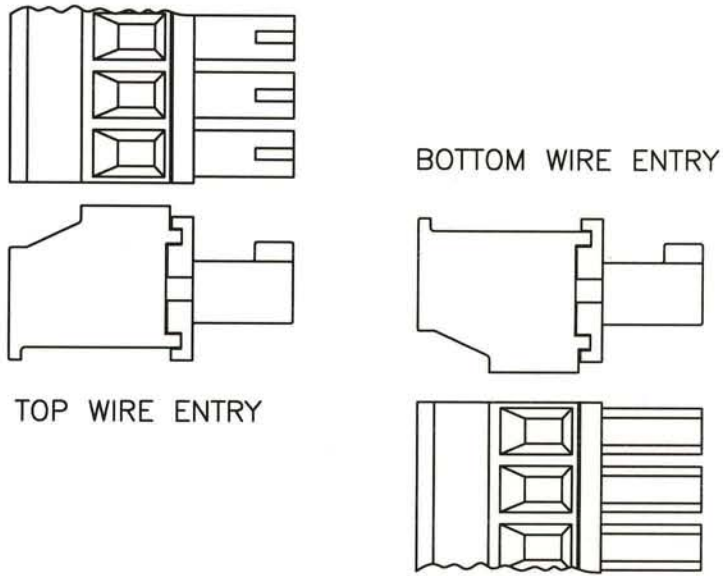


L=NUM OF POS X CL SPACING

EAR CONFIGURATION



ORIENTATION



SIZE	DWG NO.	DOC REV
A	ELVT02500	B
CODE: 58982	SCALE: NONE	SHEET 2 OF 2

## X-ON Electronics

Largest Supplier of Electrical and Electronic Components

*Click to view similar products for [Pluggable Terminal Blocks](#) category:*

*Click to view products by [Amphenol](#) manufacturer:*

Other Similar products are found below :

[57.404.7553](#) [57.504.0053.7](#) [57.510.0053](#) [57.910.6153](#) [01.112.1453](#) [CTB932VE/6](#) [MC 1.5/ 6-ST-3.5 GY AU](#) [ET02015000J0G](#) [734-104](#) [734-302](#) [734-304](#) [8-141-P](#) [FKCT 2.5/ 3-ST KMGY](#) [860505](#) [860508](#) [860516](#) [860810](#) [861908](#) [GBPACX-12](#) [93.731.4953.0](#) [PV05-5,08-K](#) [PVP02-5,00](#) [PVP04-3,50](#) [PVS02-5,00](#) [1-1986160-3](#) [H-10](#) [1546228-5](#) [ELFP03110](#) [ELVP03100](#) [ELXH03100](#) [ELXP041G0](#) [ELXT046G0](#) [1700101](#) [1700410](#) [1703243](#) [1703634](#) [1705229](#) [1710175](#) [1714537](#) [1717806](#) [1719600](#) [1728941](#) [1729386](#) [1734692](#) [1734795](#) [1736036](#) [1740194](#) [1740291](#) [1740628](#) [1740990](#)