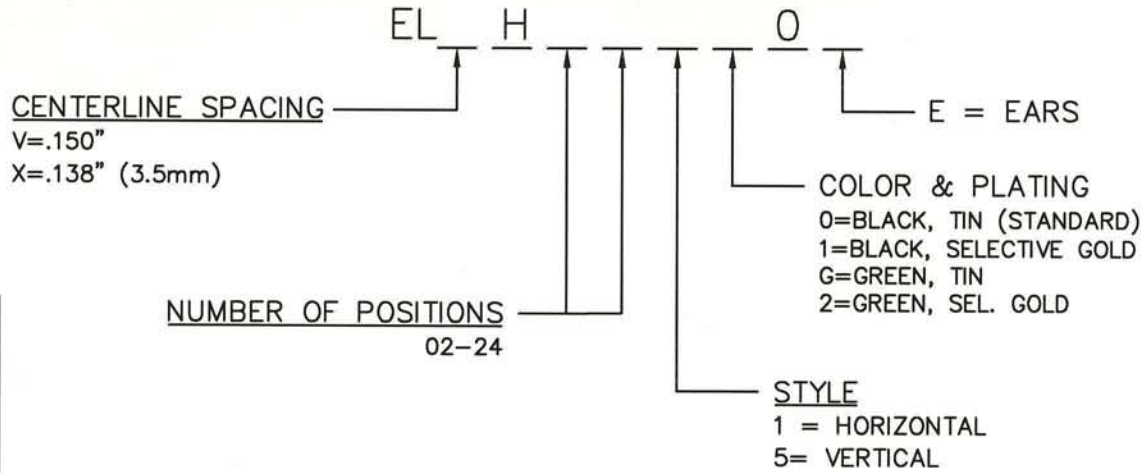


ELVH/ELXH SERIES PART NUMBERING SCHEME

REV	ECN	APPD
-	3624	JEC 1-18-99
A	3729	JEC 4/12/99
B	3865	JEC 11-9-99
C	3943	JEC 3/24/99
D	4578	IQ 9/21/01
E	4661	IQ 11/26/01
F	4783	IQ 3/7/02
G	5742	12N 12/28/05



UL RATINGS
CURRENT - 12A
VOLTAGE - 300V
U.L. FILE NO. E83421

SP RATINGS
CURRENT - 12A
VOLTAGE - 300V
CSA FILE NO. LR69703

DIN VDE 0627:1986
DIN VDE 0110-1:1989
EN 60947-1:1991
EN 60947-7-1:1992

CURRENT - 12A
VOLTAGE - 300 V
TUV FILE NO. 20396

CONSULT PCD FOR PART NO. AND AVAILABILITY OF FOLLOWING OPTIONS:

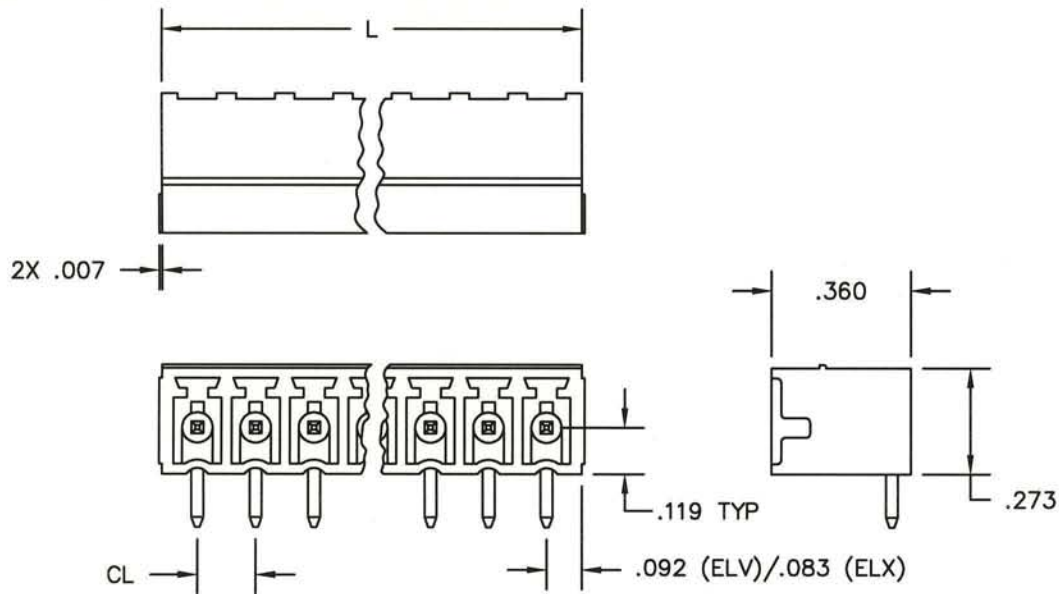
- * CUSTOM COLORS
- * CUSTOM MARKING
- * CUSTOM KEYING
- * SELECTIVE CONTACT LOADING

MATERIALS:
HOUSING: PA 4/6, UL 94 V-0
CONTACT: BRASS, OPTIONAL FINISH

MAX OPERATING TEMPERATURE: 125°C
MAX INTRUSIVE SOLDER TEMP: 250°C

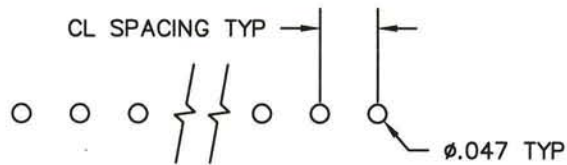
DIMENSIONS ANSI Y14.5M UNITS: INCHES ACAD FILE	TOLERANCES .XX ±.01 .XXX ±.005 ANGLES ±2°	PROJECTION 	Amphenol Pcd SPECIFICATION DRAWING		TITLE ELV/ELX SERIES HEADER		
			ENGR I. QUINN 12/21/98				
ORIGINAL STAMPED IN RED	THIS DOCUMENT CONTAINS PROPRIETARY INFORMATION WHICH IS THE CONFIDENTIAL PROPERTY OF AMPHENOL PCD INC. PEABODY, MA		CHKD J. CAHALY 1/18/99		SIZE A	DWG NO. ELVH02100	REV G
			APPD J. CAHALY 1/18/99				

STANDARD HEADER
HORIZONTAL STYLE SHOWN



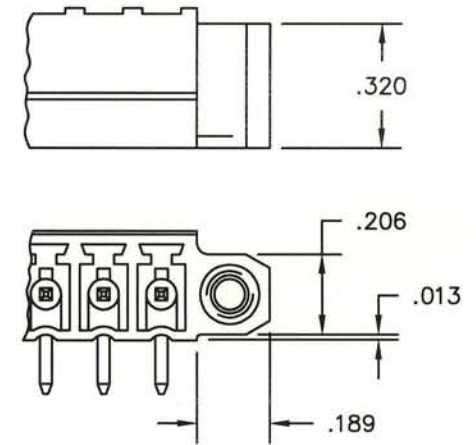
ELV: $L = (\text{NUM OF POS} \times .150) + .032''$
ELX: $L = (\text{NUM OF POS} \times .138) + .028''$

PRINTED CIRCUIT BOARD CONFIGURATION

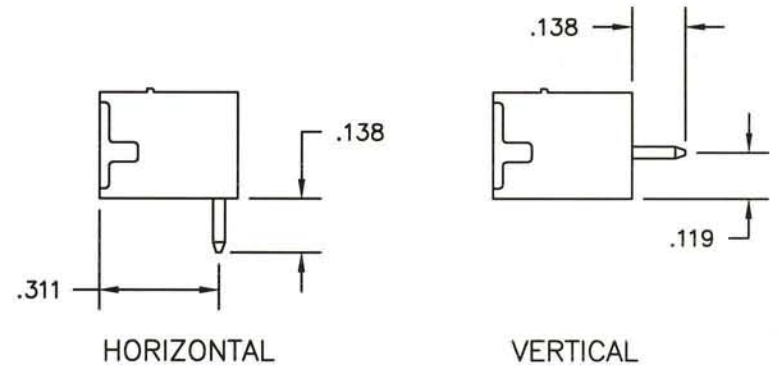


RECOMMENDED PCB THICKNESS: .062±.008

EAR CONFIGURATION



STYLE



SIZE	DWG NO.	DOC REV
A	ELVH02100	G
CODE: 58982	SCALE: NONE	SHEET 2 OF 2

X-ON Electronics

Largest Supplier of Electrical and Electronic Components

Click to view similar products for [Pluggable Terminal Blocks](#) category:

Click to view products by [Amphenol](#) manufacturer:

Other Similar products are found below :

[57.404.7553](#) [57.504.0053.7](#) [57.510.0053](#) [57.910.6153](#) [01.112.1453](#) [CTB932VE/6](#) [MC 1.5/ 6-ST-3.5 GY AU](#) [ET02015000J0G](#) [734-104](#) [734-302](#) [734-304](#) [8-141-P](#) [FKCT 2.5/ 3-ST KMGY](#) [860505](#) [860508](#) [860516](#) [860810](#) [861908](#) [GBPACX-12](#) [93.731.4953.0](#) [PV05-5,08-K](#) [PVP02-5,00](#) [PVP04-3,50](#) [PVS02-5,00](#) [1-1986160-3](#) [H-10](#) [ELFH09150](#) [ELFH16150](#) [ELFP03110](#) [ELFT06250](#) [ELFT07250](#) [ELVF09400](#) [ELVP03100](#) [ELXH03100](#) [ELXH071G0E](#) [ELXP041G0](#) [ELXT046G0](#) [1700101](#) [1700410](#) [1700425](#) [1703176](#) [1703243](#) [1705229](#) [1710175](#) [1714537](#) [1717806](#) [1719600](#) [1729386](#) [1734692](#) [1734795](#)