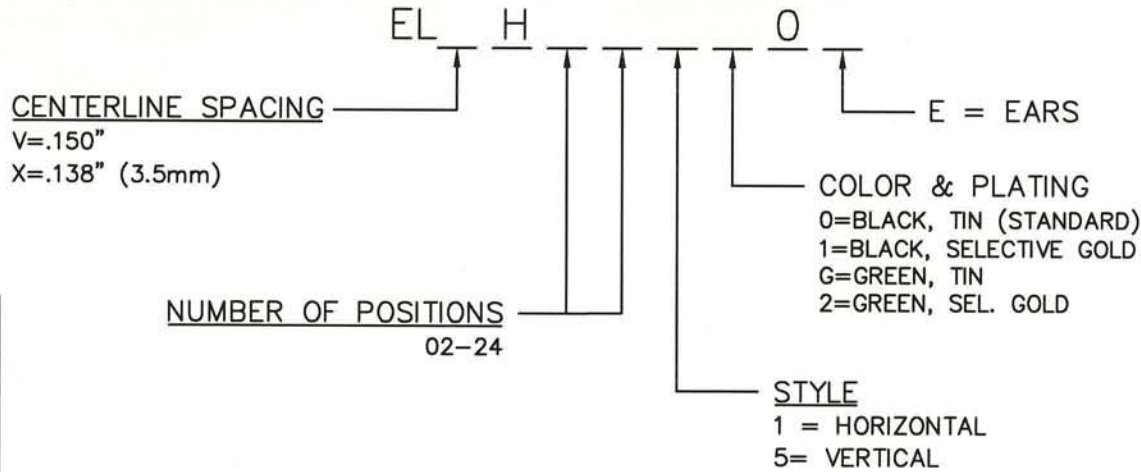


ELVH/ELXH SERIES PART NUMBERING SCHEME

| REV | ECN | APPD |
|-----|------|--------------|
| - | 3624 | JEC 1-18-99 |
| A | 3729 | JEC 4/12/99 |
| B | 3865 | JEC 11-9-99 |
| C | 3943 | JEC 3/24/99 |
| D | 4578 | IQ 9/21/01 |
| E | 4661 | IQ 11/26/01 |
| F | 4783 | IQ 3/7/02 |
| G | 5742 | 12N 12/28/05 |



RU
RATINGS
CURRENT - 12A
VOLTAGE - 300V
U.L. FILE NO. E83421

SP
RATINGS
CURRENT - 12A
VOLTAGE - 300V
CSA FILE NO. LR69703

DIN VDE 0627:1986
DIN VDE 0110-1:1989
EN 60947-1:1991
EN 60947-7-1:1992

CURRENT - 12A
VOLTAGE - 300 V
TUV FILE NO. 20396

CONSULT PCD FOR PART NO. AND AVAILABILITY OF FOLLOWING OPTIONS:

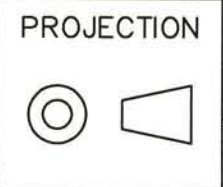
- * CUSTOM COLORS
- * CUSTOM MARKING
- * CUSTOM KEYING
- * SELECTIVE CONTACT LOADING

MATERIALS:
HOUSING: PA 4/6, UL 94 V-0
CONTACT: BRASS, OPTIONAL FINISH

MAX OPERATING TEMPERATURE: 125°C
MAX INTRUSIVE SOLDER TEMP: 250°C

DIMENSIONS
ANSI Y14.5M
UNITS: INCHES
ACAD FILE

TOLERANCES
.XX ±.01
.XXX ±.005
ANGLES ±2°



Amphenol Pcd
SPECIFICATION DRAWING

ENGR
I. QUINN 12/21/98

TITLE

ELV/ELX SERIES
HEADER

ORIGINAL
STAMPED
IN RED

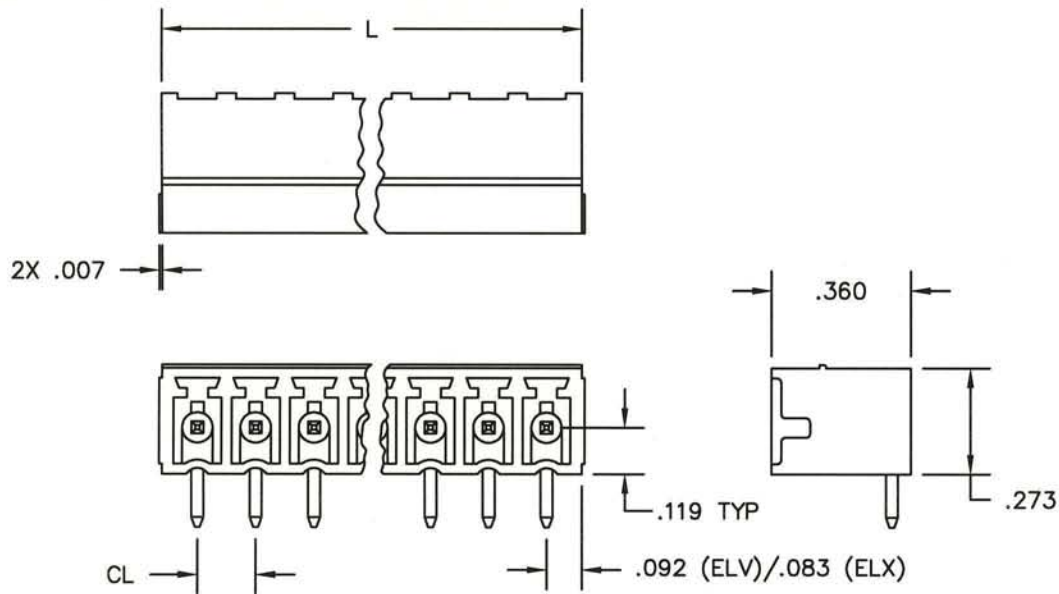
THIS DOCUMENT CONTAINS PROPRIETARY INFORMATION WHICH IS THE CONFIDENTIAL PROPERTY OF AMPHENOL PCD INC. PEABODY, MA

CHKD
J. CAHALY 1/18/99

APPD
J. CAHALY 1/18/99

| SIZE | DWG NO. | REV |
|-------------|-------------|--------------|
| A | ELVH02100 | G |
| CODE: 58982 | SCALE: NONE | SHEET 1 OF 2 |

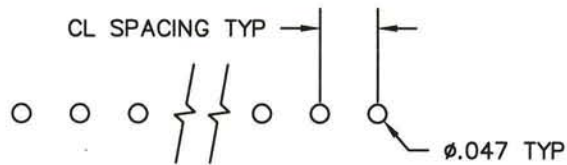
STANDARD HEADER
HORIZONTAL STYLE SHOWN



ELV: $L = (\text{NUM OF POS} \times .150) + .032$ "

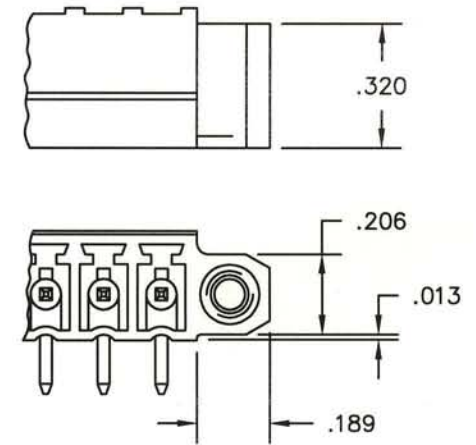
ELX: $L = (\text{NUM OF POS} \times .138) + .028$ "

PRINTED CIRCUIT BOARD CONFIGURATION

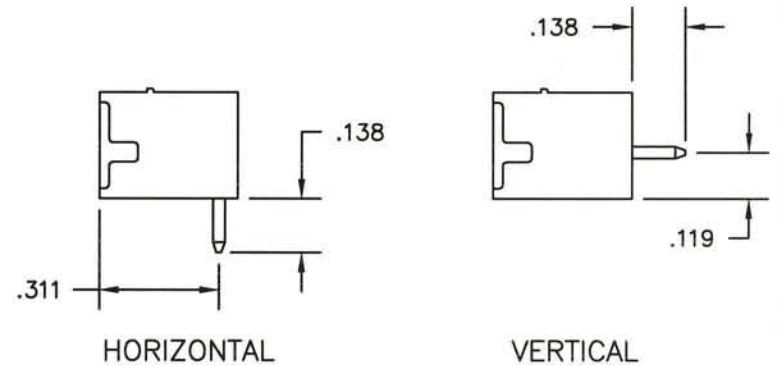


RECOMMENDED PCB THICKNESS: $.062 \pm .008$

EAR CONFIGURATION



STYLE



| | | |
|-------------|-------------|--------------|
| SIZE | DWG NO. | DOC REV |
| A | ELVH02100 | G |
| CODE: 58982 | SCALE: NONE | SHEET 2 OF 2 |

X-ON Electronics

Largest Supplier of Electrical and Electronic Components

Click to view similar products for [Pluggable Terminal Blocks](#) category:

Click to view products by [Amphenol](#) manufacturer:

Other Similar products are found below :

[57.510.0053](#) [MC 1.5/ 6-ST-3.5 GY AU](#) [734-104](#) [734-302](#) [8-141-P](#) [8426620000](#) [860505](#) [860810](#) [GBPACX-12](#) [93.731.4953.0](#) [PV05-5,08-K](#)
[PVP04-3,50](#) [PVS02-5,00](#) [1-1986160-3](#) [1377680000](#) [1531000000](#) [1546228-5](#) [ELFH16150](#) [ELFP03110](#) [ELFP10210](#) [ELFT06250](#)
[ELVP03100](#) [1700410](#) [1700425](#) [1702246](#) [1717806](#) [1719600](#) [1734692](#) [1734795](#) [1740291](#) [1752441](#) [1752865](#) [1754144](#) [1760051](#) [1760336](#)
[1777701](#) [1783410](#) [1800227](#) [1801080](#) [1836888](#) [1848818](#) [1849079](#) [1860870](#) [1876327](#) [1896417](#) [1903096](#) [19346](#) [1946309](#) [1970579](#) [1973592](#)