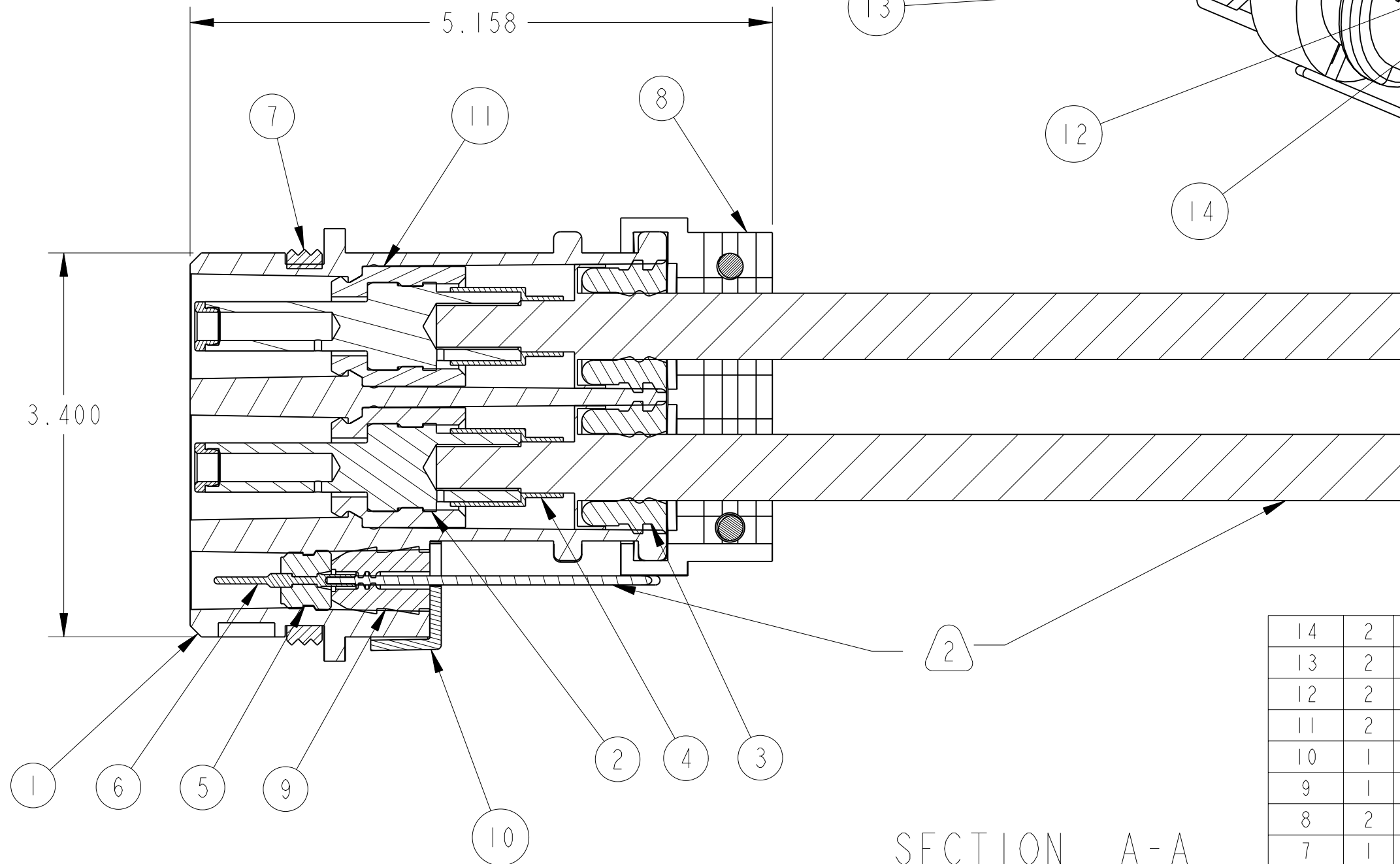
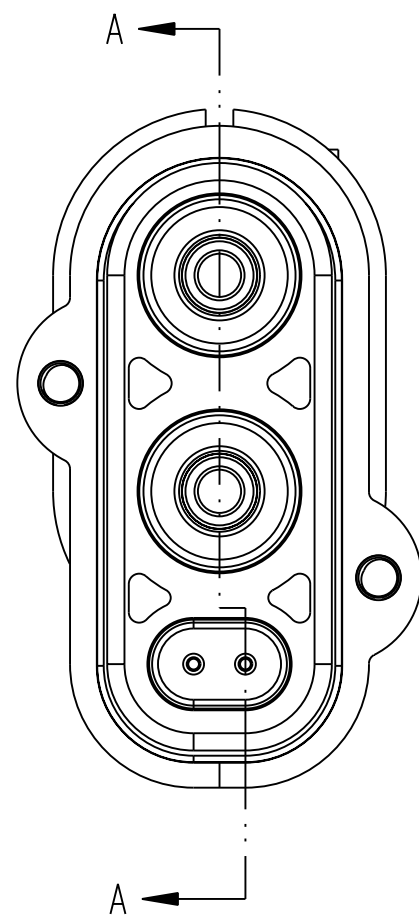
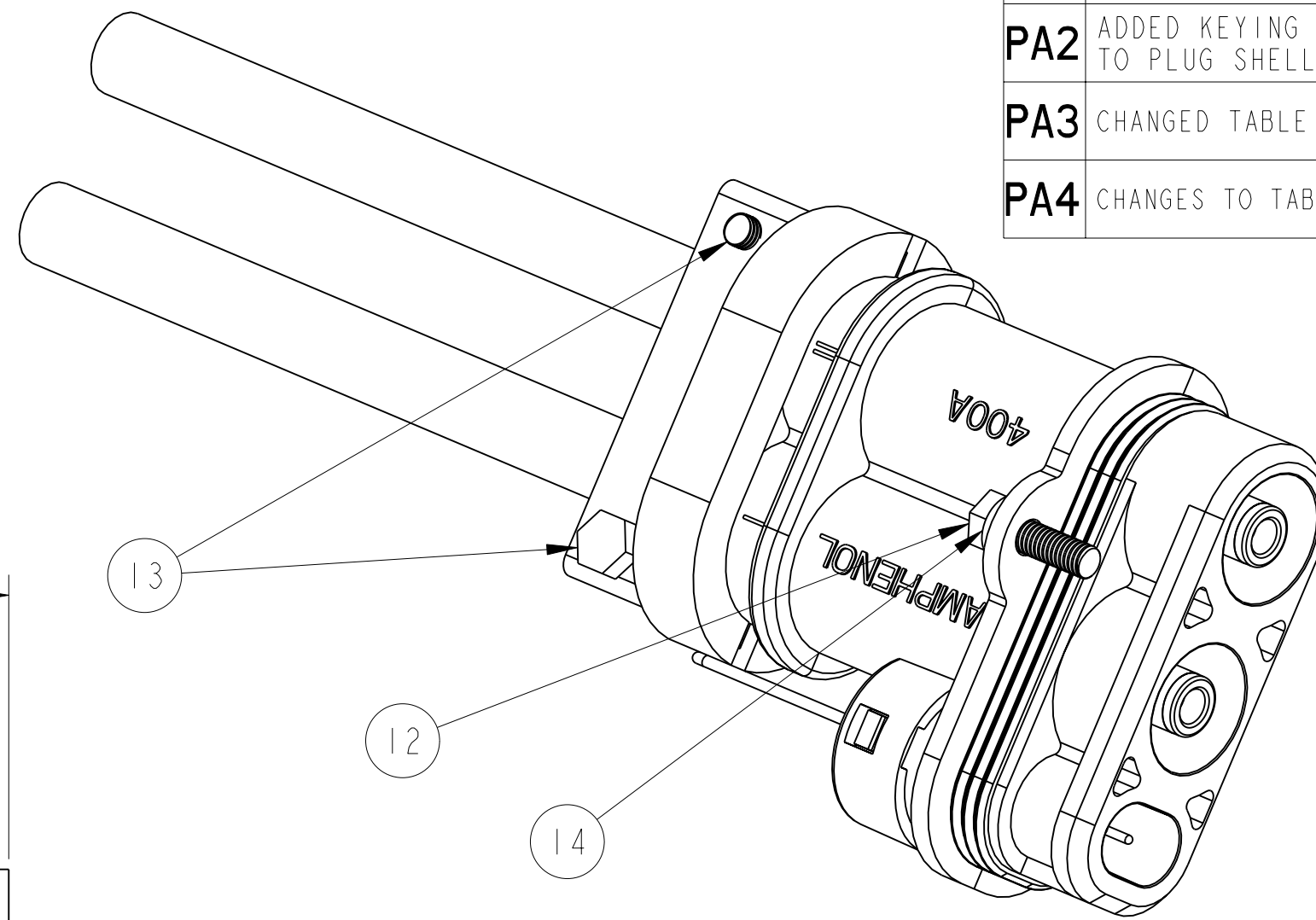


REVISIONS		
LTR	DESCRIPTION	DATE
PA1	PRELIMINARY DRAWING	6-21-10
PA2	ADDED KEYING OPTIONS TO PLUG SHELL	7-6-10
PA3	CHANGED TABLE	07-19-10
PA4	CHANGES TO TABLE/PART OPTIONS	03-17-11



SECTION A-A

POS	QTY	PART NUMBER	DESCRIPTION	NOTE
14	2	10-643751-000	LOCK WASHER - M6	
13	2	10-643752	SCREW M6 x 1 - 30mm LONG	4
12	2	10-643758	SCREW M6 x 1 - 20mm LONG	4
11	2	10-643730-000	11.1mm PIN INSULATION	
10	1	10-643757-000	SIGNAL GROMMET COVER	
9	1	10-643754-000	SIGNAL GROMMET	
8	2	SEE TABLE	CABLE CLAMP	1
7	1	10-643575-000	BARREL SEAL	
6	2	10-040557-000	SIGNAL CONTACT, SIZE 16	
5	1	10-643738-000	SIGNAL CONTACT INSERT	
4	SEE NOTE 3	SEE TABLE	HEAT SHRINK TUBING	1/3
3	2	SEE TABLE	POWER CABLE GROMMET	1
2	2	SEE TABLE	11.1mm PIN CONTACT ASSM	1
1	1	SEE TABLE	PLUG SHELL	1

4. SUFFIX "-001" DICTATES HEX HEAD SCREW AND "-002" FOR SOCKET CAP SCREW
3. SHRINK TUBE (ITEM #4) TO BE CUT TO (3) 1.00" LENGTHS. TOTAL LENGTH USED PER ASSEMBLY IS 3.00" OR .25FT
2. WIRE TO BE PROVIDED BY CUSTOMER.
1. SEE PAGE 3 FOR PLUG ASSEMBLY OPTIONS AND PART NUMBER VARIATIONS.

NOTES:

THE USE OF THIS DOCUMENT IS UNLIMITED. HOWEVER, DOCUMENTS REFERENCED HEREON MAY CONTAIN LIMITED RIGHTS DATA.

PRO/ENGINEER INFORMATION	
N/A	Pro/e Model Used:
N/A	10-643577.ASSEM
N/A	Drawing Name:
N/A	10-643577

UNLESS OTHERWISE SPECIFIED

LINEAR DIMENSIONS ARE IN INCHES

TOLERANCES:

.XXXX = ±.0005 ANGLES= ±2°

.XXX = ±.010

.XX = ±.03

.X = ±.1

DIM. & TOL. PER ASME Y14.5M;

DRM PER MIL-DTL-31000;

OTHER Amphenol Sds. PER 9-3800

LEGENDS:

△ = FLAG NOTE CALL OUT REFERENCE ONLY

SPECIFICATIONS

MATERIAL SPEC.

N/A

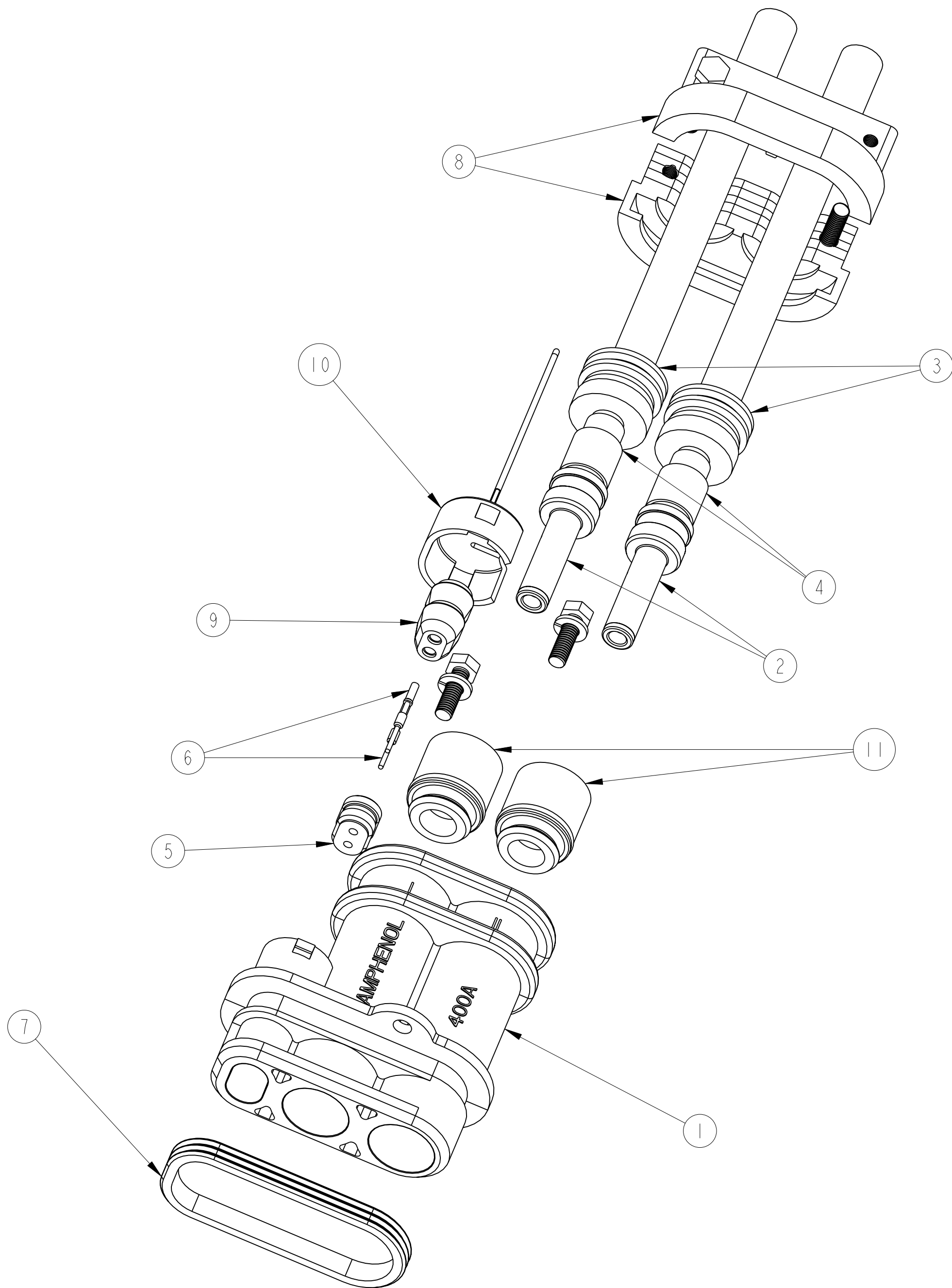
PROCESS SPEC.

N/A

APPROVALS		DATE
PREPARED BY	R BALDWIN	
ENGINEER IN CHARGE	A POLISHAK	17-Mar-11
DESIGN MANAGER	S FITZGERALD	
DESIGN ACTIVITY GROUP	C&I	

THIRD ANGLE PROJECTION

PARTS LIST			
<b>AMPHENOL CORPORATION</b>			
<small>40-60 DELAWARE AVENUE SIDNEY, N.Y. 13858</small>			
<b>PLUG ASSEMBLY</b>			
<b>400A - ePower</b>			
<b>2-PIN</b>			
SIZE	CAGE CODE	DOCUMENT NO.	REV.
C	77820	10-643577	PA4
SCALE: 0.9	REF: 10-643579	SHEET 1 OF 5	



THE USE OF THIS DOCUMENT IS UNLIMITED.  
HOWEVER, DOCUMENTS REFERENCED HEREON  
MAY CONTAIN LIMITED RIGHTS DATA.

SIZE <b>C</b>	CAGE CODE <b>77820</b>	DOCUMENT NO. <b>10-643577</b>	REV. <b>PA4</b>
SCALE: 0.5	REF.	10-643579	SHEET 2 OF 5

10-643577

SHEET 3 OF 5

REV. PA4

C

B

A

D

C

REV. PA4

SHEET 3 OF 5

10-643577

A

KEY CODING TABLE			
KEY CODING	KEY POSITION		ITEM #1 * See Finish Coding
	1	2	
1	NO KEY WAY	NO KEY WAY	10-643574-01(*)
2	KEY WAY	NO KEY WAY	10-643574-02(*)
3	NO KEY WAY	KEY WAY	10-643574-03(*)
4	KEY WAY	KEY WAY	10-643574-04(*)

WIRE SIZE CODING TABLE					
WIRE CODING	WIRE SIZE	ITEM #2	ITEM #3	ITEM #4	ITEM #8 * See Finish Coding
1	50mm <sup>2</sup>	10-643728-001	10-643729-001	10-643675-006	10-643576-10(*)
2	70mm <sup>2</sup>	10-643728-002	10-643729-002	10-643675-007	10-643576-20(*)
3	95mm <sup>2</sup>	10-643728-003	10-643728-003	10-643675-008	10-643576-30(*)

# CODE LOGIC

## 10-643577-( ) ( ) ( )

BASE NUMBER

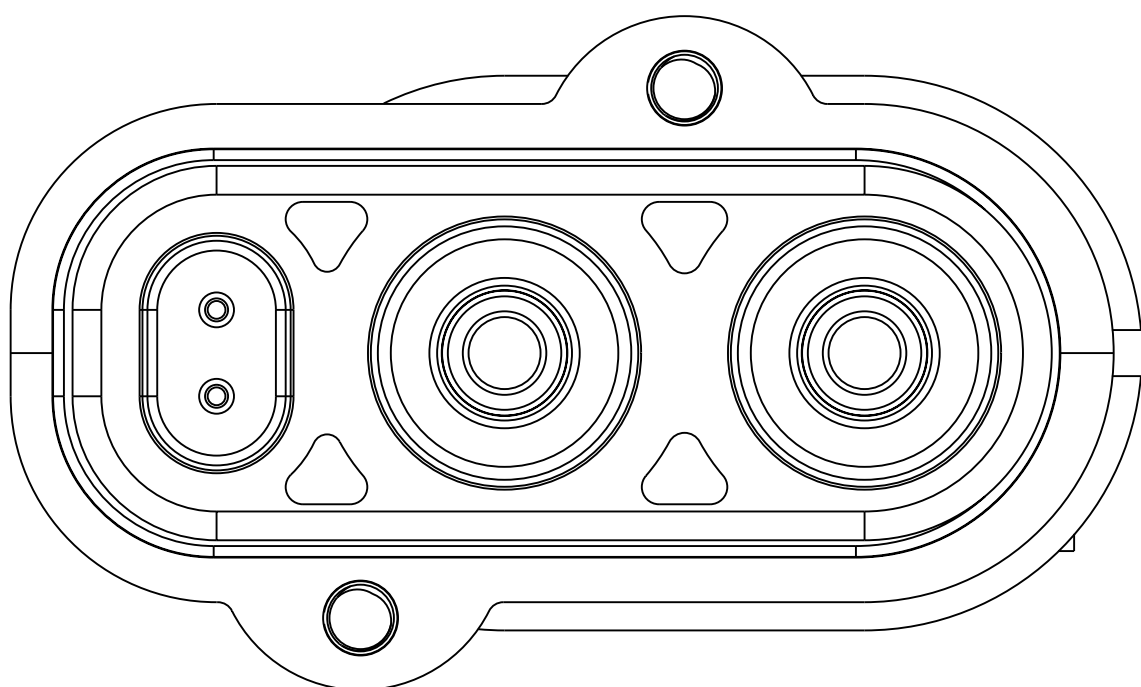
FINISH CODING:  
 (I) Electroless Nickel Plate  
 (FG) Bright Tin Over Electroless Nickel  
 (B) No Plating

KEY CODING:  
 See Table

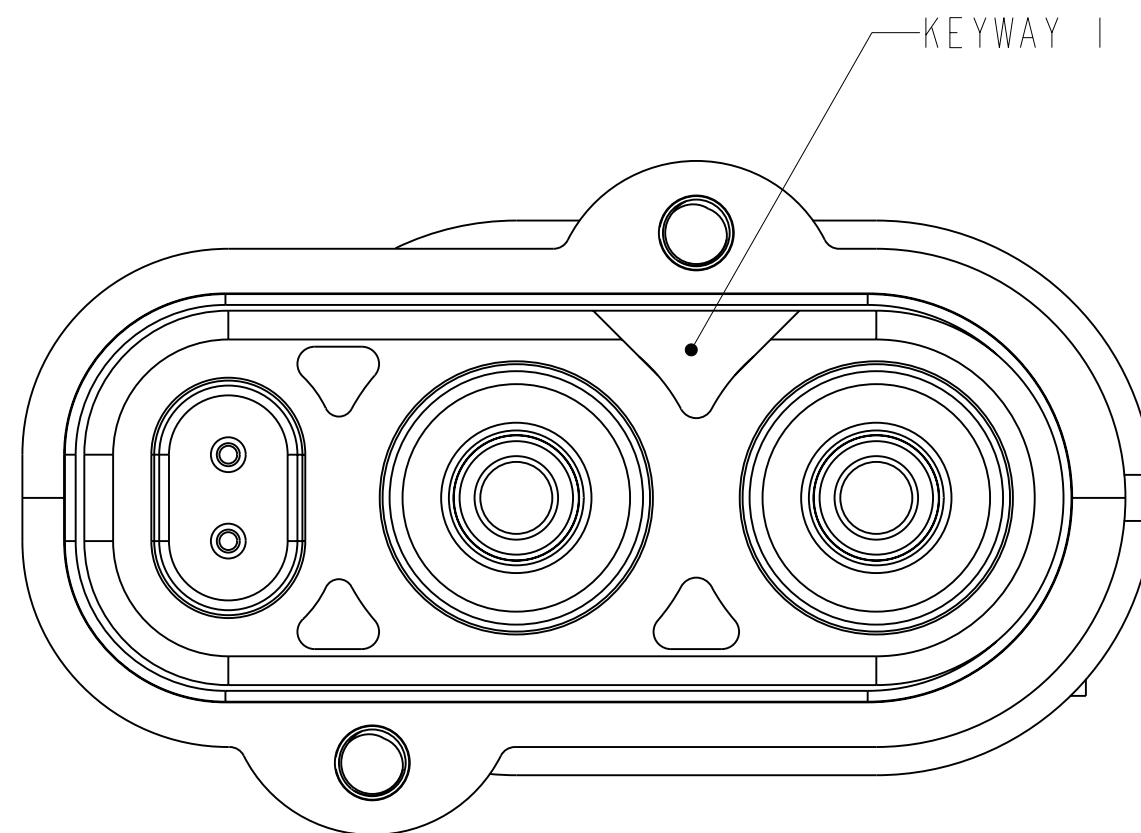
WIRE SIZE CODING:  
 See Table

THE USE OF THIS DOCUMENT IS UNLIMITED.  
 HOWEVER, DOCUMENTS REFERENCED HEREON  
 MAY CONTAIN LIMITED RIGHTS DATA.

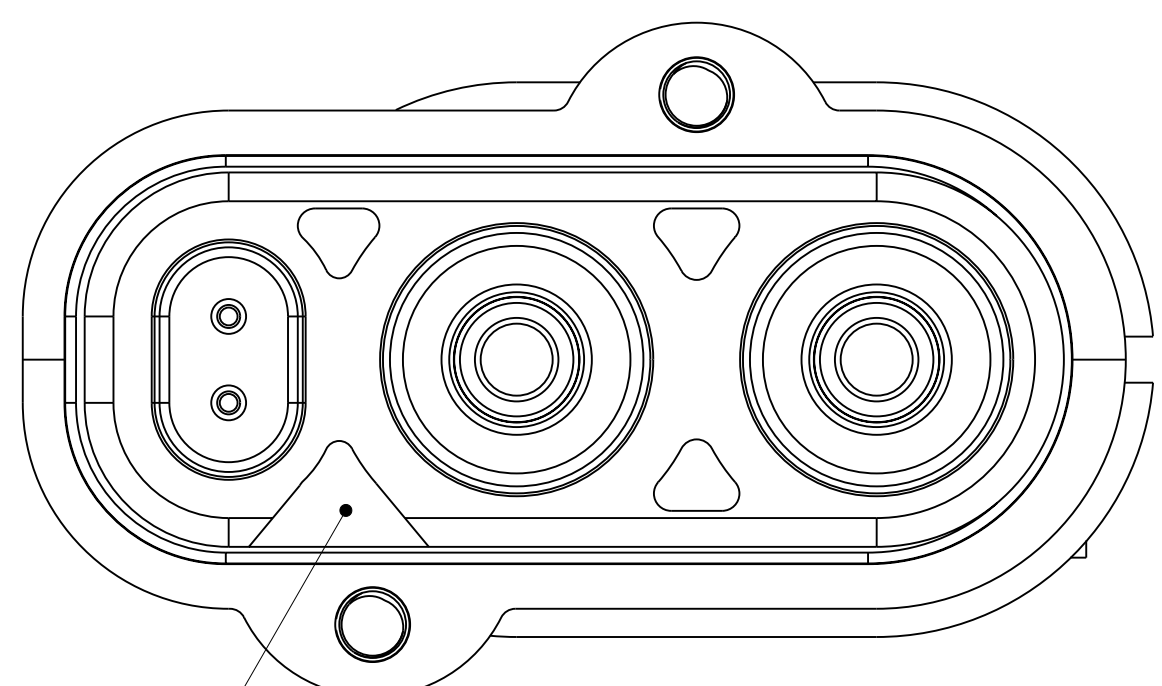
SIZE <b>C</b>	CAGE CODE <b>77820</b>	DOCUMENT NO. <b>10-643577</b>	REV. <b>PA4</b>
SCALE: 2.0	REF: 10-643579	SHEET 3 OF 5	



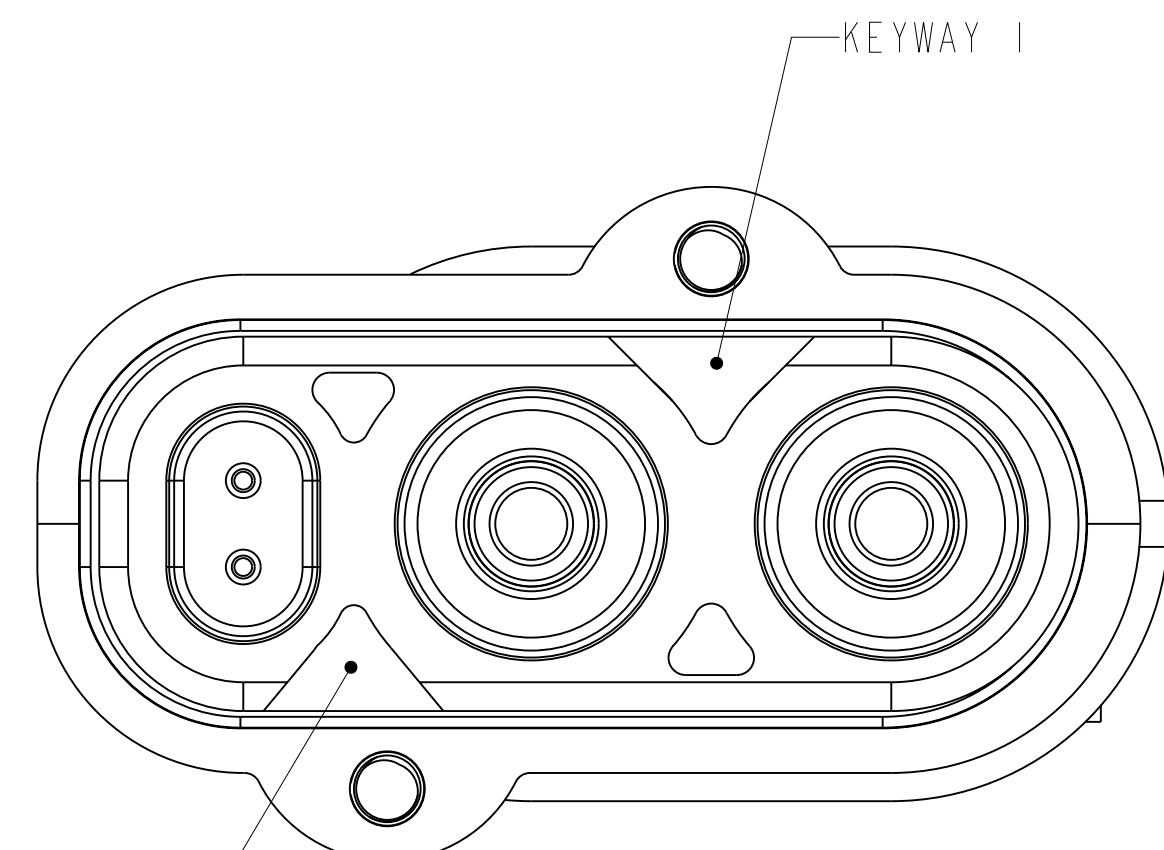
**KEY OPTION 1**  
 NO KEYWAYS OPEN



**KEY OPTION 2**  
 KEYWAY 1 OPEN



**KEY OPTION 3**  
 KEYWAY 2 OPEN



**KEY OPTION 4**  
 BOTH 1 AND 2 KEYWAYS OPEN

10-643577

SHEET 4 OF 5

REV. PA4

SHEET 4 OF 5

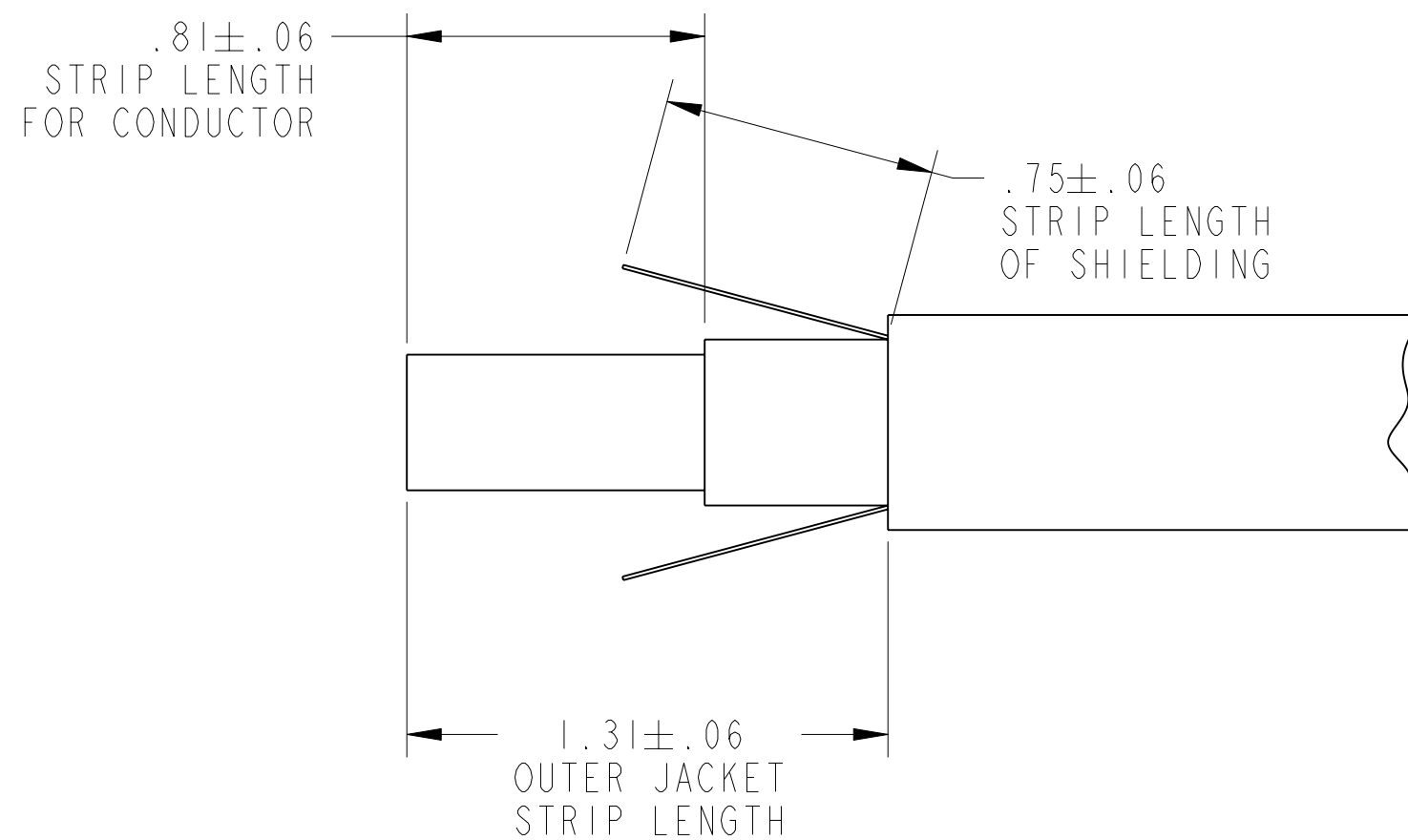
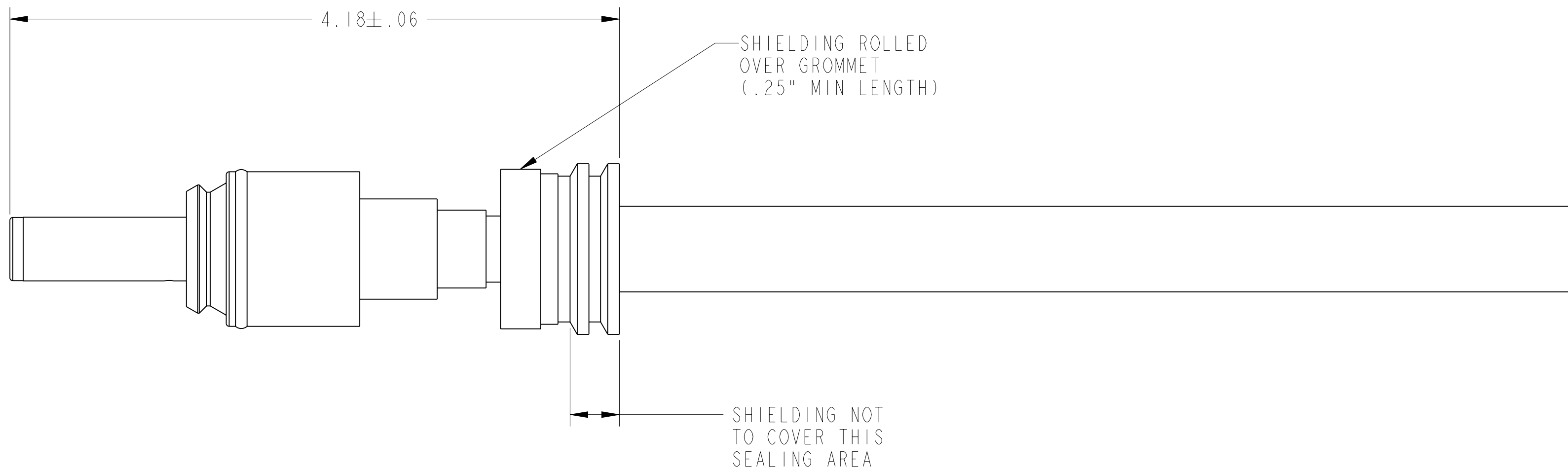
10-643577

REV. PA4

THE USE OF THIS DOCUMENT IS UNLIMITED.  
 HOWEVER, DOCUMENTS REFERENCED HEREON  
 MAY CONTAIN LIMITED RIGHTS DATA.

SIZE <b>C</b>	CAGE CODE <b>77820</b>	DOCUMENT NO. <b>10-643577</b>	REV. <b>PA4</b>
SCALE: 0.9	REF: 10-643579	SHEET 4 OF 5	

\*WIRE/CONTACT ASSEMBLY FOR CUSTOMER REFERENCE\*



THE USE OF THIS DOCUMENT IS UNLIMITED. HOWEVER, DOCUMENTS REFERENCED HEREON MAY CONTAIN LIMITED RIGHTS DATA.

SIZE <b>C</b>	CAGE CODE <b>77820</b>	DOCUMENT NO. <b>10-643577</b>	REV. <b>PA4</b>
SCALE: 1.5	REF: 10-643579	SHEET 5 OF 5	

## X-ON Electronics

Largest Supplier of Electrical and Electronic Components

*Click to view similar products for [Automotive Connectors](#) category:*

*Click to view products by [Amphenol](#) manufacturer:*

Other Similar products are found below :

[003-018-000](#) [60403001](#) [60993906-B](#) [M902-2131](#) [M902-2161](#) [72.330.1035.1](#) [73.353.4028.0](#) [F119300-B](#) [F166900](#) [F258300-B](#) [F358300-B](#)  
[F407400](#) [F444110](#) [F487000](#) [F509500B-B](#) [827153-1](#) [8N1515-32-24P](#) [9-1326729-8](#) [925474-1](#) [928905-1](#) [964562-4](#) [968782-1](#) [GT17SA-8DS-](#)  
[HU](#) [98891-1012](#) [98947-1016](#) [12004475-L](#) [12010290](#) [12010309-B](#) [12015454](#) [12020219-B](#) [12020308](#) [12041318-B](#) [12052225-L](#) [12052466](#)  
[12059125](#) [12064869](#) [12004327-B](#) [12010503-B](#) [12015308](#) [12015384](#) [12015909](#) [1-21030-1](#) [12041254](#) [12041318](#) [12047946-B](#) [12047957](#)  
[12047957-L](#) [12059473](#) [12066261](#) [12110546](#)