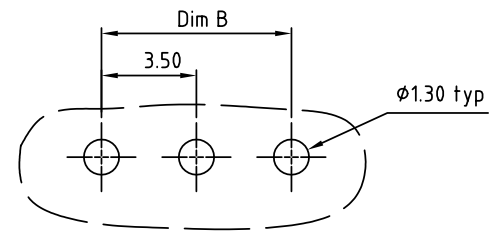
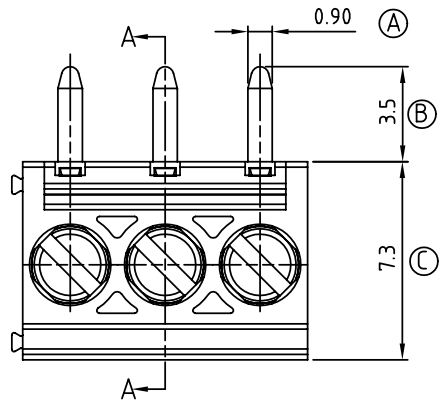
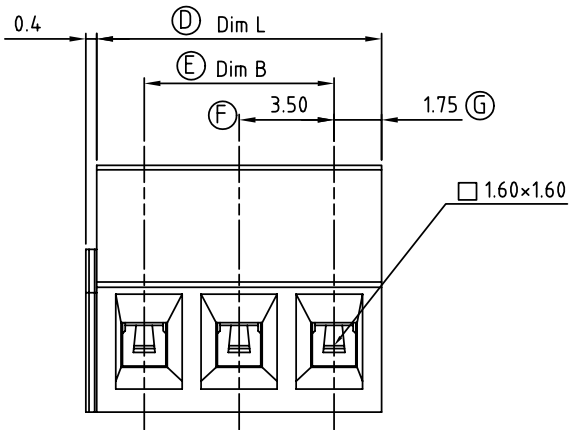


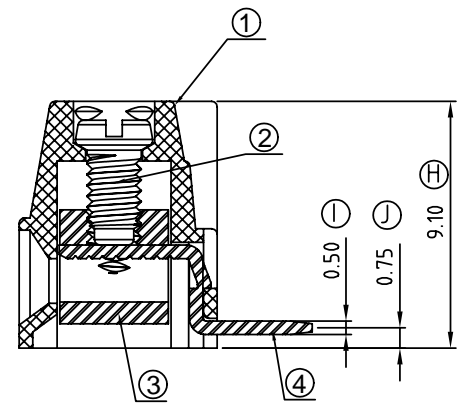
SIGN	DATE	DESCRIPTION	APPROVER
△			
THIS IS CAD DRAWING, DO NOT REVISE MANUALLY!!!			



P.C.B. LAYOUT



N=Number of conacts



SECTION A-A

Material

- Item 1 Terminal housing : Thermoplastic (UL94V-0)
- Item 2 Terminal screw : Steel Zinc plating "--" slot type
- Item 3 Clamp : Brass, Ni plated
- Item 4 Wire guard solder pin : Brass, Tin plated

Electrical cULus

- Voltage rating: 300VAC
- Current rating: 10A
- Wire range:
- Solid wire(AWG): 16-24
- Stranded wire(AWG): 16-24
- Torque(Lb-In): 1.7
- Screw: M2
- Wire strip length: 5-6mm
- Withstanding Voltage: 1.6KV
- Operating temperature: -40°C to +115°C
- Soldering temperature: 250°C±10°C/5 Sec
- Safety Approval: cULus

ER xx 01 x 1 xxxx G

			RoHS Pb<40,000ppm
02 2 CONTACTS	0 Black (RAL9005)	0000 Standard @ Logo	
03 3 CONTACTS	2 Red (RAL3001/D)	000A Standard ANY Logo	
... ..	3 Orange(RAL2011/P)	Any special item by	
24 24 CONTACTS	4 Yellow(RAL1018/A)	customer request,	
	5 Green(RAL6018/T)	please contact sales	
	6 Blue (RAL5015/A)	department.	
	8 Grey(RAL7035/D)		

Poles	02	03	04	05	06	07	08	09	10	11	12	13	
Dim L	7.00	10.50	14.00	17.50	21.00	24.50	28.00	31.50	35.00	38.50	42.00	45.50	
Dim B	3.50	7.00	10.50	14.00	17.50	21.00	24.50	28.00	31.50	35.00	38.50	42.00	
TOL	±0.10				±0.15				±0.20				
Poles	14	15	16	17	18	19	20	21	22	23	24		
Dim L	49.00	52.50	56.00	59.50	63.00	66.50	70.00	73.50	77.00	80.50	84.00		
Dim B	45.50	49.00	52.50	56.00	59.50	63.00	66.50	70.00	73.50	77.00	80.50		
TOL	±0.20		±0.25				±0.30						

ANYTEK

CUSTOMER COPY

ALL RIGHTS RESERVED. REPRODUCTION OR ISSUE TO THIRD PARTIES IN ANY FORM WHATSOEVER IS NOT PERMITTED WITHOUT WRITTEN AUTHORITY FROM THE PROPRIETOR. PROPERTY OF ANYTEK TECHNOLOGY CO., LTD

TITLE		ER 3.5 Series 90D		DWG NO.		8ER001	
PART NO.		ERxx01x1xxxxG		CUST NO.			
APPROVED	CHECKED	DESIGNED	DRAWN	Tolerance			
		Aaron 2006.10.04	Aaron 2006.10.04			UNIT: mm	X. ±0.50
						SCALE: NONE	X.X ±0.30
						REV: B	X.XX ±0.10
							X° ±1°

SHEET: 01/01

X-ON Electronics

Largest Supplier of Electrical and Electronic Components

Click to view similar products for [Pluggable Terminal Blocks](#) category:

Click to view products by [Amphenol](#) manufacturer:

Other Similar products are found below :

[57.510.0053](#) [MC 1.5/ 6-ST-3.5 GY AU](#) [734-104](#) [734-302](#) [8-141-P](#) [8426620000](#) [860505](#) [860810](#) [GBPACX-12](#) [93.731.4953.0](#) [PV05-5,08-K](#)
[PVP04-3,50](#) [PVS02-5,00](#) [1-1986160-3](#) [1377680000](#) [1531000000](#) [1546228-5](#) [ELFH16150](#) [ELFP03110](#) [ELFP10210](#) [ELFT06250](#)
[ELVP03100](#) [1700410](#) [1700425](#) [1702246](#) [1717806](#) [1719600](#) [1734692](#) [1734795](#) [1740291](#) [1752441](#) [1752865](#) [1754144](#) [1760051](#) [1760336](#)
[1777701](#) [1783410](#) [1800227](#) [1801080](#) [1836888](#) [1848818](#) [1849079](#) [1860870](#) [1876327](#) [1896417](#) [1903096](#) [19346](#) [1946309](#) [1970579](#) [1973592](#)