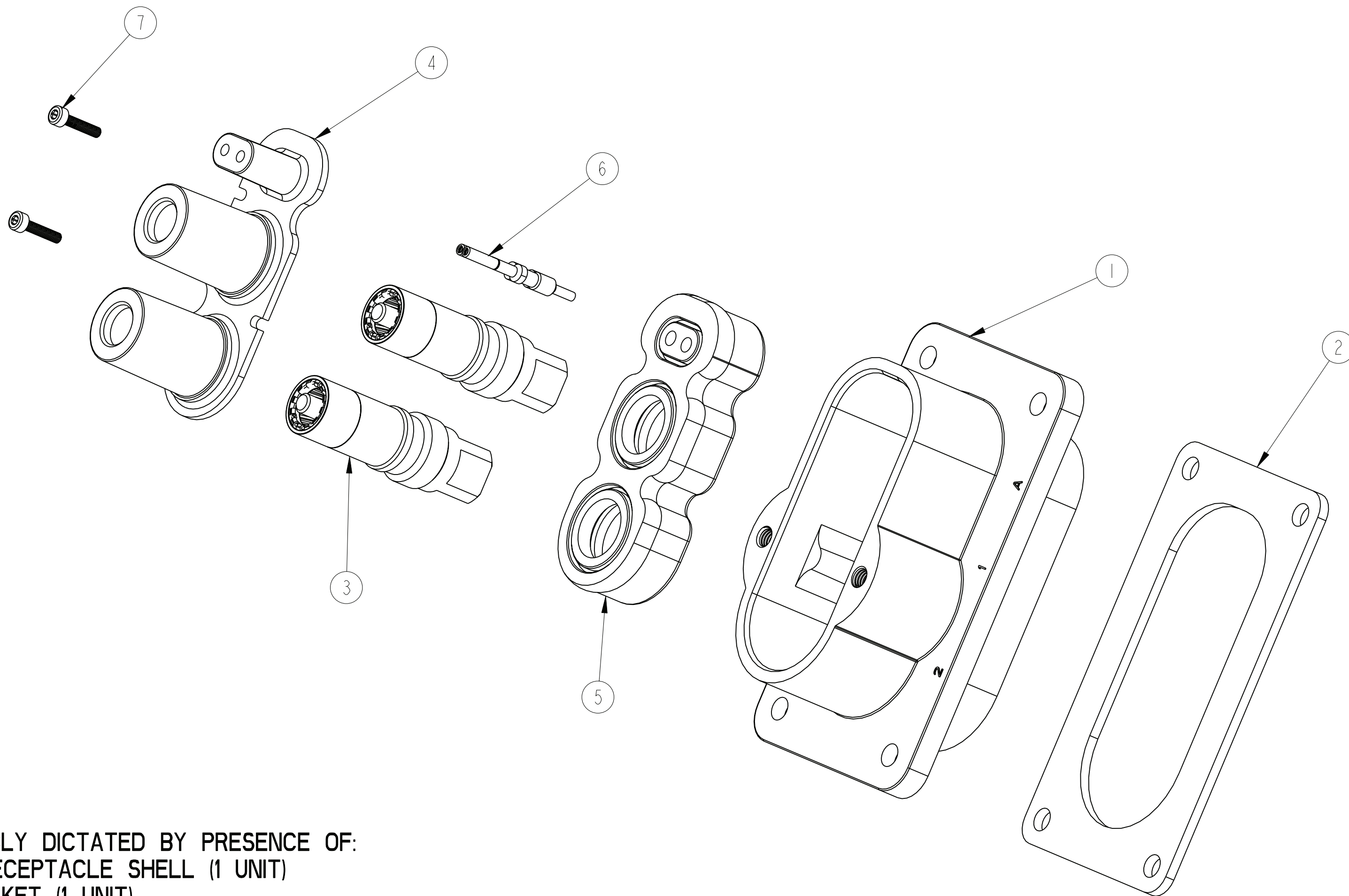


REV. A	SHEET 1 OF 2	DOCUMENT NO. 10-643578-() () ()
REVISIONS		
LTR	DESCRIPTION	DATE
A	INITIAL RELEASE	09/20/2011



2. COMPLETE ASSEMBLY DICTATED BY PRESENCE OF:

1. ALUMINUM RECEPTACLE SHELL (1 UNIT)
2. FLANGE GASKET (1 UNIT)
3. POWER CONTACT (2 UNITS)
4. FRONT INSERT INSULATION (1 UNIT)
5. BACKCAP GROMMET (1 UNIT)
6. HVIL CONTACT (2 UNITS)
7. M3 BOLT - 14mm LENGTH (2 UNIT)

1. CONNECTOR ASSEMBLY SUPPLIED BY:
AMPHENOL TECHNOLOGY (ZHUHAI) CO. LTD.

NOTES:

THIS DOCUMENT CONTAINS PROPRIETARY INFORMATION AND SUCH INFORMATION MAY NOT BE DISCLOSED TO OTHERS FOR ANY PURPOSE OR USED FOR MANUFACTURING PURPOSES WITHOUT WRITTEN PERMISSION FROM THE AMPHENOL CORP.

RELEASED / Sep. 27 2011, 10:35:54 AM

PRO/ENGINEER INFORMATION

Pro/e Model Used:
10-643578.ASSEM
Drawing Name:
10-643578.PD

N/A
NEXT ASSEMBLY

UNLESS OTHERWISE SPECIFIED	SPECIFICATIONS	POS	QTY	PART NUMBER	DESCRIPTION	NOTE
LINEAR DIMENSIONS ARE IN INCHES TOLERANCES: .XXXX = ±.0005 ANGLES= ±2° .XXX = ±.010 .XX = ±.03 .X = ±.1 DIM. & TOL. PER ASME Y14.5M; DRM PER MIL-DTL-31000; OTHER Amphenol Stds. PER 9-3800 LEGENDS: =FLAG NOTE CALL OUT REFERENCE ONLY	MATERIAL SPEC.	APPROVALS		DATE	PARTS LIST	
	N/A	PREPARED BY	R BALDWIN	20-Sep-11	AMPHENOL CORPORATION 40-60 DELAWARE AVENUE SIDNEY, N.Y. 13858 ePower CONNECTOR RECEPTACLE ASSEMBLY 400A 2-PIN PURCHASE PART	
PROCESS SPEC.	N/A	ENGINEER IN CHARGE	R BALDWIN		SIZE C CAGE CODE 77820 DOCUMENT NO. 10-643578-() () () REV. A SCALE: 1:0 REF. C10-643578-() () () SHEET 1 OF 2	
		DESIGN MANAGER	D WUJCIK			
		DESIGN ACTIVITY GROUP	C&I			
		THIRD ANGLE PROJECTION				

DOCUMENT NO. 10-643578-() () () SHEET 1 OF 2 REV. A

C B A

A

DOCUMENT NO. 10-643578-() () () SHEET 1 OF 2 REV. A

A

10-643578-() () ()
SHEET 2 OF 2
REV. A

CODE LOGIC

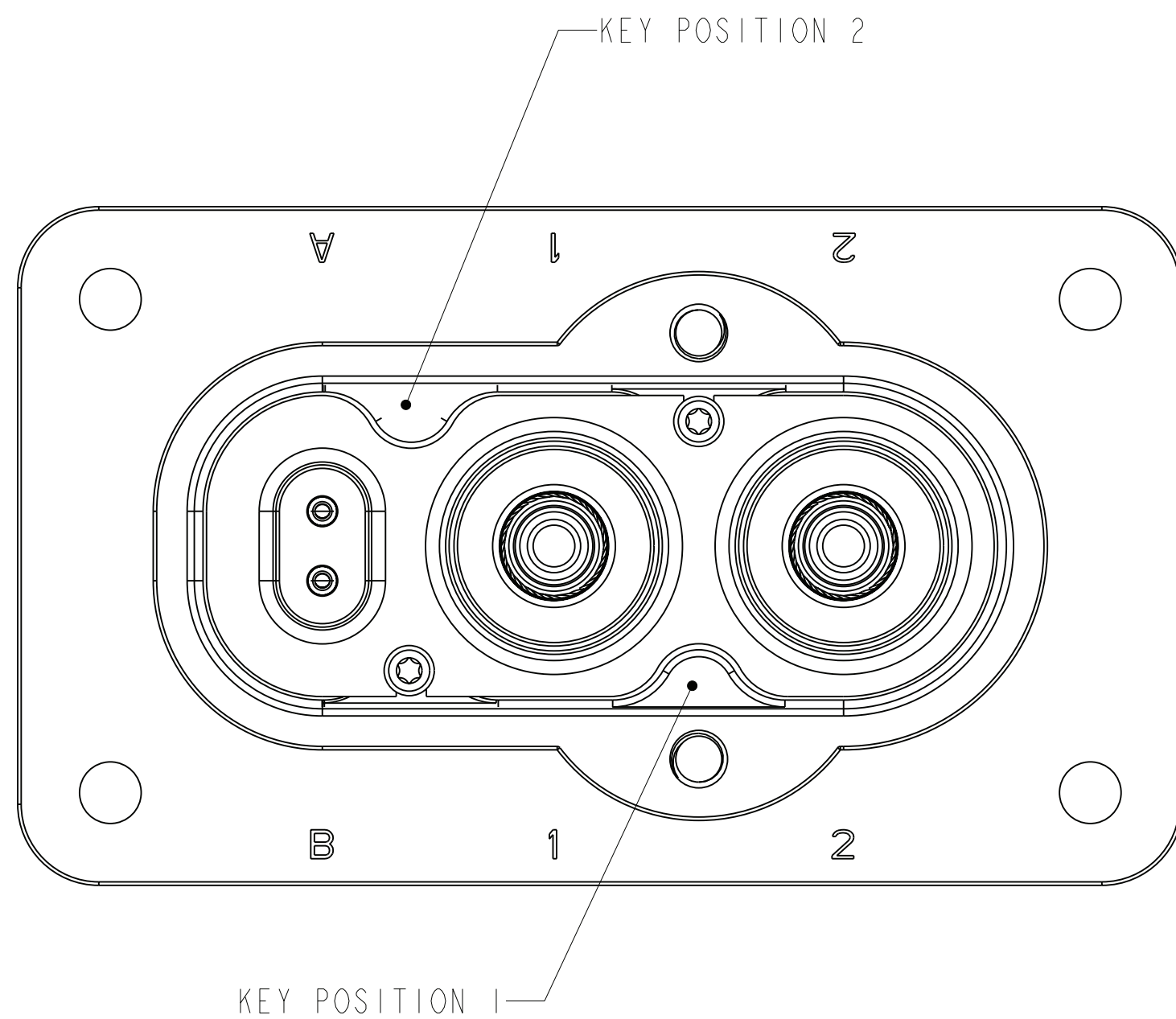
10-643578-() () ()

BASE NUMBER

FINISH CODING:
 (I) Electroless Nickel Plate
 (FG) Bright Tin Over Electroless Nickel
 (B) No Plating

KEY CODING:
 See Table

CONTACT TERMINATION CODING:
 See Table



KEY CODING TABLE			TERMINATION CODING TABLE	
KEY CODING	KEY POSITION		TERMINATION CODING	TERMINATION TYPE
	1	2		
1	NO KEY	NO KEY	0	M6x1.0 THREAD BUSBAR
2	KEY	NO KEY	1	50mm ² WIRE CRIMP
3	NO KEY	KEY	2	70mm ² WIRE CRIMP
4	KEY	KEY	3	95mm ² WIRE CRIMP

NOTES:

THIS DOCUMENT CONTAINS PROPRIETARY INFORMATION AND SUCH INFORMATION MAY NOT BE DISCLOSED TO OTHERS FOR ANY PURPOSE OR USED FOR MANUFACTURING PURPOSES WITHOUT WRITTEN PERMISSION FROM THE AMPHENOL CORP.

RELEASED / Sep . 27 2011, 10:35:54 AM

SIZE C	CAGE CODE 77820	DOCUMENT NO. 10-643578-() () ()	REV. A
SCALE: 1.0	REF: C10-643578-() () ()	SHEET 2 OF 2	

REV. A SHEET 2 OF 2 10-643578-() () ()

X-ON Electronics

Largest Supplier of Electrical and Electronic Components

Click to view similar products for [Automotive Connectors](#) category:

Click to view products by [Amphenol](#) manufacturer:

Other Similar products are found below :

[003-018-000](#) [60403001](#) [60993906-B](#) [M902-2131](#) [M902-2161](#) [72.330.1035.1](#) [73.353.4028.0](#) [F119300-B](#) [F166900](#) [F258300-B](#) [F358300-B](#)
[F407400](#) [F444110](#) [F487000](#) [F509500B-B](#) [827153-1](#) [8N1515-32-24P](#) [9-1326729-8](#) [925474-1](#) [928905-1](#) [964562-4](#) [968782-1](#) [GT17SA-8DS-](#)
[HU](#) [98891-1012](#) [98947-1016](#) [12004475-L](#) [12010290](#) [12010309-B](#) [12015454](#) [12020219-B](#) [12020308](#) [12041318-B](#) [12052225-L](#) [12052466](#)
[12059125](#) [12064869](#) [12004327-B](#) [12010503-B](#) [12015308](#) [12015384](#) [12015909](#) [1-21030-1](#) [12041254](#) [12041318](#) [12047946-B](#) [12047957](#)
[12047957-L](#) [12059473](#) [12066261](#) [12110546](#)