

SIGN	DATE	DESCRIPTION	APPROVER
△			

THIS IS CAD DRAWING, DO NOT REVISE MANUALLY!!!

ET xx 0 1 x 2 xxxx G

No. OF POLES
02: 2 POLES

16: 16 POLES

COLOR

- 0 Black (RAL9005)
- 2 Red (RAL3001/D)
- 3 Orange(RAL2011/P)
- 4 Yellow(RAL1018/A)
- 5 Green(RAL6018/T)
- 6 Blue (RAL5015/A)
- 8 Grey(RAL7035/D)
- 9 White(RAL1102)
- C Green(RAL6018/U)

G RoHS compliant
(lead<4%)
In copper Alloy

0000: "@" Logo (Standard)
000A: "ANYTEK" Mark

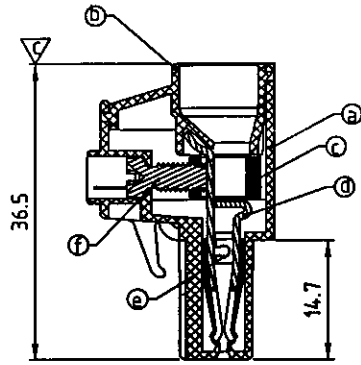
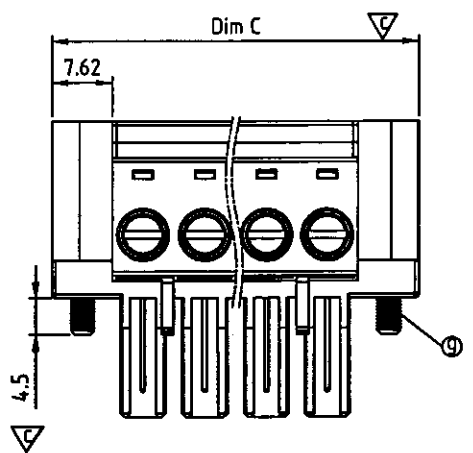
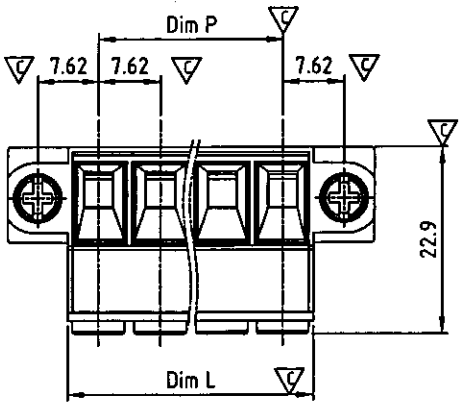
Any special item by
customer request.
please contact sales
department.

Material:

- Item ① Terminal(housing): Thermoplastic (UL94V-0)
- Item ② Terminal(cover): Thermoplastic (UL94V-0)
- Item ③ Clamp: Brass Ni plated
- Item ④ Female contact : Copper. Tin plated
- Item ⑤ Wire guard: Stainless steel
- Item ⑥ Terminal Screw: Steel , zinc plating " - " slot type
- Item ⑦ Flangel Screw: Steel Zinc plating M3"+/-" slot type

Electrical:

- | | | |
|--------------------------|-----------------|----------------------|
| | cULus | TUV |
| ● Voltage rating: | 300 V | 800V |
| ● Current rating: | 32 A | 32A |
| ● Wire range: | | 0.2-6mm ² |
| ● Solid wire(AWG): | 8-24 | |
| ● Stranded wire(AWG): | 8-24 | |
| ● Torque: | 7 LB-In | 0.8N.m |
| ● Screw: | M3.5 | |
| ● Wire strip length: | 10-11 mm | |
| ● Withstanding Voltage: | 1.6KV | 6KV |
| ● Operating temperature: | -40°C to +115°C | |
| ● Safety Approval: | cULus | TUV |
| ● Critical dimension: | ▽ | |



DIM		TOL			
		2P-4P	5P-8P	9P-12P	13P-16P
Dim L	N×7.62	±0.15	±0.20	±0.30	±0.40
Dim P	(N-1)×7.62	±0.15	±0.20	±0.30	±0.40
Dim C	(N+2)×7.62	±0.15	±0.20	±0.30	±0.40

ANYTEK		CUSTOMER COPY			
TITLE	ET-7.62 W/Flange Series "-" (Match VC series)				
PART NO.	ETxx01x2xxxxG	DWG NO.	8ET0008		
APPROVED	CHECKED	DESIGNED	DRAWN	CUST NO.	Tolerance
		Chen Bo	Chen Bo		X. ±0.50
		11/08'13	11/08'13		X.X ±0.30
					X.XX ±0.10
SHEET: 01/01				REV: B	X* ±1"

X-ON Electronics

Largest Supplier of Electrical and Electronic Components

Click to view similar products for [Pluggable Terminal Blocks](#) category:

Click to view products by [Amphenol](#) manufacturer:

Other Similar products are found below :

[57.510.0053](#) [MC 1.5/ 6-ST-3.5 GY AU](#) [734-104](#) [734-302](#) [8-141-P](#) [8426620000](#) [860505](#) [860810](#) [GBPACX-12](#) [93.731.4953.0](#) [PV05-5,08-K](#)
[PVP04-3,50](#) [PVS02-5,00](#) [1-1986160-3](#) [1377680000](#) [1531000000](#) [1546228-5](#) [ELFH16150](#) [ELFP03110](#) [ELFP10210](#) [ELFT06250](#)
[ELVP03100](#) [1700410](#) [1700425](#) [1702246](#) [1717806](#) [1719600](#) [1734692](#) [1734795](#) [1740291](#) [1752441](#) [1752865](#) [1754144](#) [1760051](#) [1760336](#)
[1777701](#) [1783410](#) [1800227](#) [1801080](#) [1836888](#) [1848818](#) [1849079](#) [1860870](#) [1876327](#) [1896417](#) [1903096](#) [19346](#) [1946309](#) [1970579](#) [1973592](#)