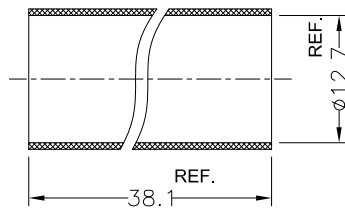
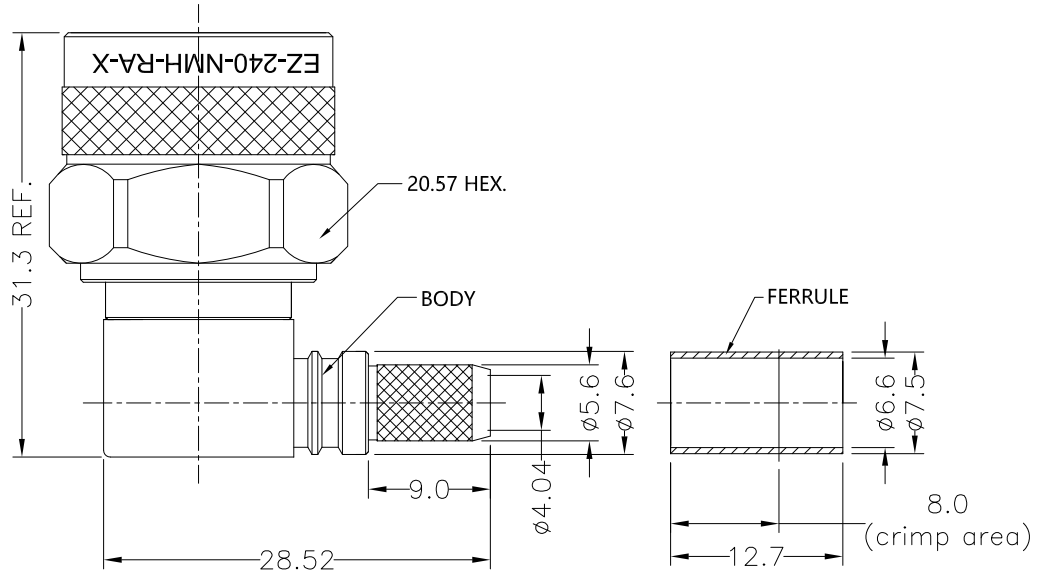
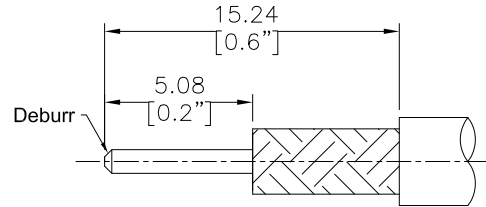


NOTICE OF PROPRIETARY RIGHTS THIS DOCUMENT CONTAINS CONFIDENTIAL DATA, INCLUDING TRADE SECRETS, PROPRIETARY TO TIMES MICROWAVE SYSTEMS. DISCLOSURE OF THIS DATA IS EXPRESSLY CONDITIONED UPON YOUR ASSENT THAT ITS USE IS LIMITED TO USE WITHIN YOUR COMPANY ONLY. ANY OTHER USE IS STRICTLY PROHIBITED WITHOUT THE PRIOR WRITTEN CONSENT OF TIMES MICROWAVE SYSTEMS.

| SYM | REVISION DESCRIPTION | DFTM | DATE | APPD | APPD |
|-----|-------------------------|--------|------------|------|------------|
| A | RELEASED FOR PRODUCTION | Joslen | 2016.06.29 | TZ | 2016.06.29 |
| B | Vendor Modify drawing | Monica | 2017.08.08 | TZ | 2017.08.08 |
| C | Crimp area correction | Monica | 2018.05.07 | TZ | 2018.05.07 |



Heat Shrink Tube



RECOMMENDED CABLE STRIPPING DIM'S
Connector adds: 14.14 mm

I. MATERIALS & FINISHES

| Components | Materials | Finishes | Thk. (μ") |
|--------------|-----------|----------|-----------|
| Body | Brass | Albaloy | 80 |
| Center Cont. | QBe2 | Gold | 50 |
| Ferrule | Brass | Albaloy | 80 |
| Nut | Brass | Albaloy | 80 |
| Insulator | PTFE | - | - |
| Gasket | Silicone | - | - |

II. ELECTRICAL PROPERTIES

| | |
|--------------------------------------|-------------|
| Impedance (Ω): | 50 |
| Frequency Range (GHz): | DC to 6 GHz |
| Dielectric Withstanding Voltage (V): | 1000 |
| Insulation Resistance (MΩ): | ≥5000 |
| VSWR: | ≤1.35 |
| Insertion Loss(dB, f/GHz): | -0.1x √f |

III. ENVIRONMENT PROPERTIES

| | |
|--------------------|--------------------------------|
| Temperature Range: | -55°c~+125°c |
| Thermal Shock: | MIL-STD 202G, Meth.107, Cond.B |
| Vibration: | MIL-STD 202G, Meth.204, Cond.B |
| Shock: | MIL-STD 202G, Meth.213, Cond I |
| Climatic Class: | IEC 60068 55/155/56 |
| (2002/95/EC)RoHS: | Compliant |

IV. MECHANICAL PROPERTIES

| | |
|------------------------------------|---------------|
| Center Cont.: | Spring Finger |
| Outer Cont.: | Crimp |
| Coupling Nut Torque (N.m): | 1.7 |
| Cbl-Connector Retention Force (N): | 300 |
| Durability (cycles): | 500 |

V. TOOLING

Stripping Tool: 3192-152/CST-240A
Crimping Tool: 3190-667/CT-240/200/100

Compatible with Standard: IEC 61169-16

| | | | | | | | |
|------------|---|----------------------|------------|-------|------------|------------|---|
| MATERIAL: | UNLESS OTHERWISE SPECIFIED | | | DFTM. | Joslen | | |
| | ALL DIMENSIONS ARE IN mm MACHINED SURFACES FINISH 1.6 RMS MAX. REMOVE ALL BURRS 0.15X45° MAX. BREAK MACHINE CORNERS 0.15X45° D MAX. FILLET R. TOLERANCES ON DECIMALS .X ±0.3 .XX ±0.15 ANGLES ±2° FRACTIONS ± N/A | | | DATE | 2016.06.29 | | |
| | | | | CHKD | KG | | |
| | | | | DATE | 2016.06.29 | | |
| USED ON: O | | | | APPD | TZ | | EZ-240-NMH-RA-X Type N Male (Plug) Right Angle Non Solder Pin No Braid Trim Connector for LMR-240 Cable |
| SCALE: N/A | DWG SIZE: A4 | DO NOT SCALE DRAWING | CODE IDENT | 68999 | DATE | 2016.06.29 | S H T 1 OF 1 3190-6143 R E V C |

X-ON Electronics

Largest Supplier of Electrical and Electronic Components

Click to view similar products for [RF Connectors / Coaxial Connectors](#) category:

Click to view products by [Amphenol](#) manufacturer:

Other Similar products are found below :

[8915-1511-000](#) [89674-0827](#) [6001-7071-019](#) [6002-7051-003](#) [6002-7551-202](#) [6059674-1](#) [619550-1](#) [630059-000](#) [M39030/3-01N](#) [M3933/25-36N](#) [6500-7071-046](#) [6769](#) [CX050L2AQ](#) [7002-1542-011](#) [7004-1512-000](#) [7009-1511-004](#) [7010-1511-000](#) [7029-1511-060](#) [7101-1541-010](#) [7101-1571-002](#) [7105-1521-002](#) [7145-1521-002](#) [7203-1571-003](#) [7209-1511-011](#) [7210-1511-015](#) [7210-1511-019](#) [73137-5015](#) [73216-2241](#) [7325-1512-000](#) [73404-2300](#) [7405-1521-005](#) [7405-1521-802](#) [7406-1521-005](#) [8527](#) [8547](#) [FS11V](#) [8808-1511-001](#) [9049-9513-000](#) [9074-9513-000](#) [9101-9573-002](#) [910A205F](#) [9130-9573-002](#) [PL11SC-026](#) [PL375-33](#) [PL40-5](#) [PL71-9](#) [PL74C-221](#) [PL75MC-217](#) [PL803-7](#) [980-8666-005](#)