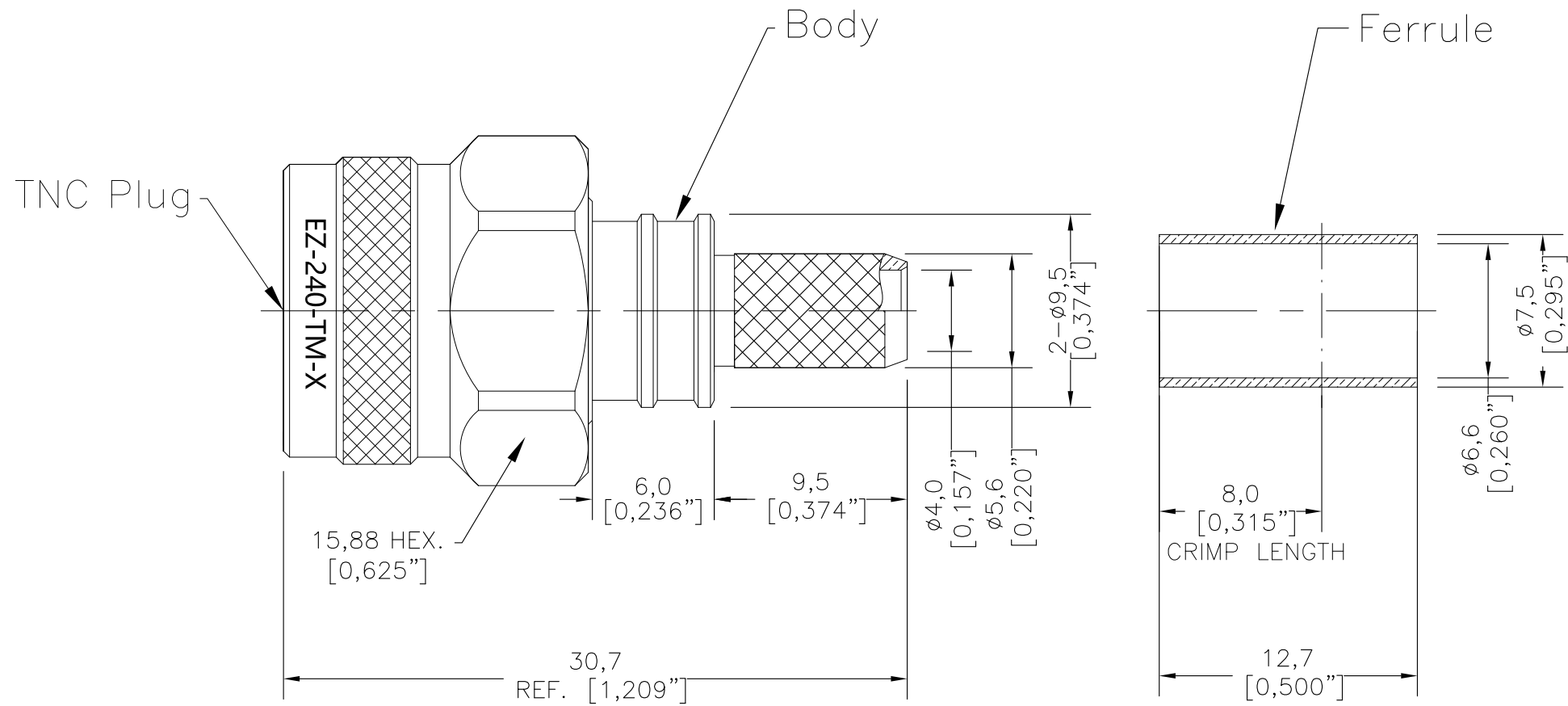


SYM	REVISION DESCRIPTION	DFTM	DATE	APPD	APPD
A	RELEASED FOR PRODUCTION	Monica.W	2018.06.04	Joslen.W	2018.06.04



I. MATERIALS & FINISHES

Components	Materials	Finishes	Thk. (μ "")
Body	Brass	Albaloy	80
Center Cont.	Beryllium Copper	Gold	50
Ferrule	Brass	Albaloy	80
Nut	Brass	Albaloy	80
Insulator	PTFE	--	--
Gasket	Silicone	--	--

II. ELECTRICAL PROPERTIES

Impedance (Ω):	50
Frequency Range (GHz):	DC to 6 GHz
Dielectric Withstanding Voltage (V):	1000
Insulation Resistance (M Ω):	\geq 5000
VSWR:	\leq 1.30
Insertion Loss(dB, f/GHz):	-0.1x \sqrt{f}

III. ENVIRONMENT PROPERTIES

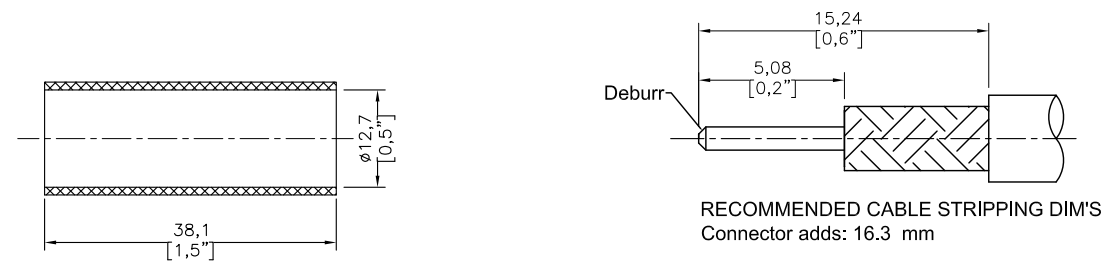
Temperature Range:	-40 $^{\circ}$ c~+125 $^{\circ}$ c
Thermal Shock:	MIL-STD 202G, Meth.107, Cond.B
Vibration:	MIL-STD 202G, Meth.204, Cond.B
Shock:	MIL-STD 202G, Meth.213, Cond I
Climatic Class:	IEC 60068 65/165/21
(2002/95/EC)RoHS:	Compliant

IV. MECHANICAL PROPERTIES

Center Cont.:	Finger Contact
Outer Cont.:	Crimp
Coupling Nut Torque (N.m):	N/A
Cbl-Connector Retention Force (N):	266
Durability (cycles):	500

V. TOOLING

Stripping Tool: 3192-152/CST-240A
Crimping Tool: 3190-667/CT-240/200/100



Shrink Tube (1/2"x1,5" 3:1)

Compatible with Standard: IEC 60169-17

MATL:	UNLESS OTHERWISE SPECIFIED	DFTM.	Monica.W		
USED ON: O	ALL DIMENSIONS ARE IN mm MACHINED SURFACES FINISH 1.6 RMS MAX. REMOVE ALL BURRS 0.15X45 $^{\circ}$ MAX. BREAK MACHINE CORNERS 0.15X45 $^{\circ}$ D MAX. FILLET R. TOLERANCES ON DECIMALS .X \pm 0.3 .XX \pm 0.15 ANGLES \pm 2 $^{\circ}$ FRACTIONS \pm N/A	DATE	2018.06.04		
SCALE: N/A		CHKD	Patrick.M		
DWG SIZE A4		DATE	2018.06.04		
DO NOT SCALE DRAWING	CODE IDENT	68999	APPD	Joslen.W	EZ-240-TM-X TNC Male (Plug) Straight Non- Solder Pin No Braid Trim Connector for LMR-240 Cable
			DATE	2018.06.04	

X-ON Electronics

Largest Supplier of Electrical and Electronic Components

Click to view similar products for [RF Connectors / Coaxial Connectors](#) category:

Click to view products by [Amphenol](#) manufacturer:

Other Similar products are found below :

[8915-1511-000](#) [89674-0827](#) [6001-7071-019](#) [6002-7051-003](#) [6002-7551-202](#) [6059674-1](#) [619550-1](#) [630059-000](#) [M39030/3-01N](#) [M3933/25-36N](#) [6500-7071-046](#) [6769](#) [CX050L2AQ](#) [7002-1542-011](#) [7004-1512-000](#) [7009-1511-004](#) [7010-1511-000](#) [7029-1511-060](#) [7101-1541-010](#) [7101-1571-002](#) [7105-1521-002](#) [7145-1521-002](#) [7203-1571-003](#) [7209-1511-011](#) [7210-1511-015](#) [7210-1511-019](#) [73137-5015](#) [73216-2241](#) [7325-1512-000](#) [73404-2300](#) [7405-1521-005](#) [7405-1521-802](#) [7406-1521-005](#) [8527](#) [8547](#) [FS11V](#) [8808-1511-001](#) [9049-9513-000](#) [9074-9513-000](#) [9101-9573-002](#) [910A205F](#) [9130-9573-002](#) [PL11SC-026](#) [PL375-33](#) [PL40-5](#) [PL71-9](#) [PL74C-221](#) [PL75MC-217](#) [PL803-7](#) [980-8666-005](#)