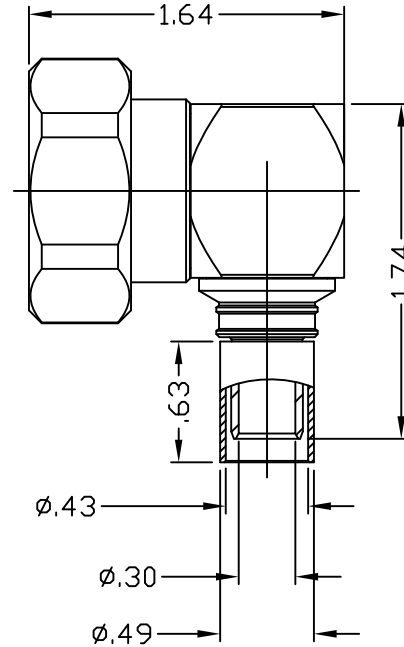
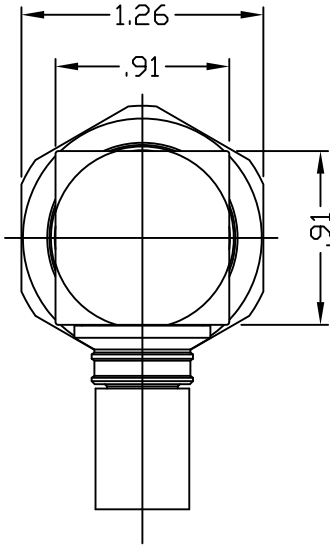


**NOTICE OF PROPRIETARY RIGHTS** THIS DOCUMENT CONTAINS CONFIDENTIAL TECHNICAL DATA, INCLUDING TRADE SECRETS, PROPRIETARY TO TIMES MICROWAVE SYSTEMS. DISCLOSURE OF THIS DATA IS EXPRESSLY CONDITIONED UPON YOUR ASSENT THAT ITS USE IS LIMITED TO USE WITHIN YOUR COMPANY ONLY. ANY OTHER USE IS STRICTLY PROHIBITED WITHOUT THE PRIOR WRITTEN CONSENT OF TIMES MICROWAVE SYSTEMS.

SYM	REVISION DESCRIPTION	DFTM	DATE	APPD	DATE
A	RELEASED FOR PRODUCTION	K.A.M.	3/31/10	J.B.D.	5/17/10



Reference standard IEC60169-4

**I Electric Performance**

Nominal Impedance( $\Omega$ ): 50  
 Frequency Range: DC-3GHz  
 VSWR:  $\leq 1.15$   
 INSERT LOSS:  $\leq 0.1$   
 Insulation resistance(M $\Omega$ ) 10000  
 Proof voltage(V) 2500  
 Conductor resistance(m $\Omega$ ) outer conductor  $\leq 0.2$   
 inner conductor  $\leq 0.8$

**II Mechanical Performance**

Pin torque 25N.m  
 (Nut)Whorl pull 1000N  
 Tensile force(cable-connect) 400N  
 Torsion(cable-connect) 2N.m

**III Material and plating**

Component	Material
Inner conductor	Spring Copper
Outer conductor	Brass
Ferrule	Copper
Nut	Brass
Gasket	Silicone rubber
Insulator	PTFE

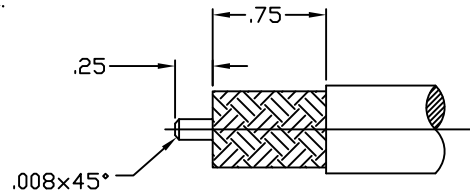
**IV Environment**

Temp.range -55 $^{\circ}$ C~+155 $^{\circ}$ C  
 Weather standard IEC 60068 55 / 155/ 56  
 Thermal shock US MIL-STD 202,Meth.107,Cond.B  
 Vibration US MIL-STD 202,Meth.204,Cond.B  
 Shock US MIL-STD 202,Meth.213,Cond.I  
 Waterproofing standard IP67

V Assembly: inner conductor installed and outer conductor crimped

VI ROHS Compliant.

**Plating**  
 Ag 200 micro inches  
 Copper-tin-zin (Albaloy) 150 micro inches  
 Copper-tin-zin (Albaloy) 150 micro inches  
 Copper-tin-zin (Albaloy) 150 micro inches



Recommended cable stripping Dim's

MATERIAL:	UNLESS OTHERWISE SPECIFIED		DFTM: K. A. M.	TIMES MICROWAVE SYSTEMS
	ALL DIMENSIONS ARE IN INCHES		DATE: 3/31/10	
USED ON:	0		CHKD: J. D. B.	90° 7/16 MALE FOR LMR400 CABLE
			DATE: 5/17/10	
SCALE: ~	DWG. SIZE: A	DO NOT SCALE DRAWING	APPD: J. D. B.	1 of 1   SD3190-2545   REV: A
		CODE IDENT: 68999	DATE: 5/17/10	

## X-ON Electronics

Largest Supplier of Electrical and Electronic Components

*Click to view similar products for [RF Connectors / Coaxial Connectors](#) category:*

*Click to view products by [Amphenol](#) manufacturer:*

Other Similar products are found below :

[8915-1511-000](#) [89674-0827](#) [6001-7071-019](#) [6002-7051-003](#) [6002-7551-202](#) [6059674-1](#) [619550-1](#) [630059-000](#) [M39030/3-01N](#) [M3933/25-36N](#) [6500-7071-046](#) [6769](#) [CX050L2AQ](#) [7002-1542-011](#) [7004-1512-000](#) [7009-1511-004](#) [7010-1511-000](#) [7029-1511-060](#) [7101-1541-010](#) [7101-1571-002](#) [7105-1521-002](#) [7145-1521-002](#) [7203-1571-003](#) [7209-1511-011](#) [7210-1511-015](#) [7210-1511-019](#) [73137-5015](#) [73216-2241](#) [7325-1512-000](#) [73404-2300](#) [7405-1521-005](#) [7405-1521-802](#) [7406-1521-005](#) [8527](#) [8547](#) [FS11V](#) [8808-1511-001](#) [9049-9513-000](#) [9074-9513-000](#) [9101-9573-002](#) [910A205F](#) [9130-9573-002](#) [PL11SC-026](#) [PL375-33](#) [PL40-5](#) [PL71-9](#) [PL74C-221](#) [PL75MC-217](#) [PL803-7](#) [980-8666-005](#)