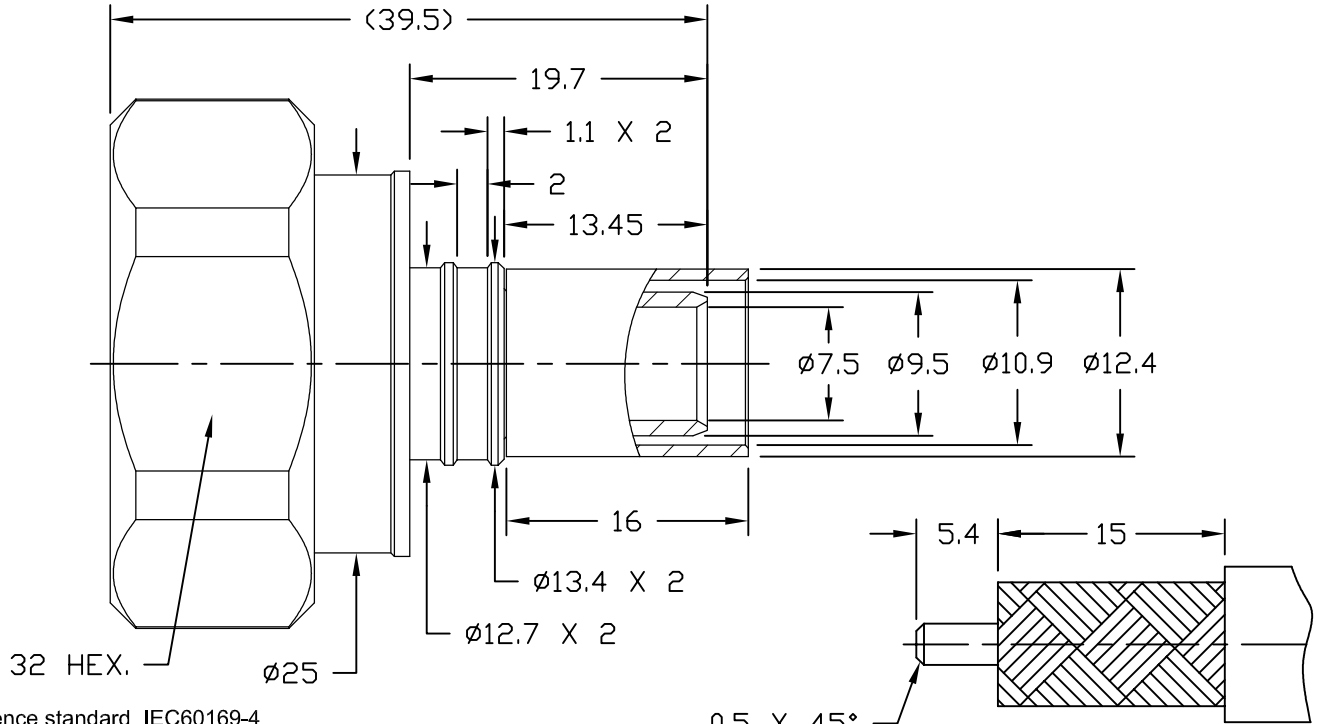


NOTICE OF PROPRIETARY RIGHTS THIS DOCUMENT CONTAINS CONFIDENTIAL TECHNICAL DATA, INCLUDING TRADE SECRETS, PROPRIETARY TO TIMES MICROWAVE SYSTEMS. DISCLOSURE OF THIS DATA IS EXPRESSLY CONDITIONED UPON YOUR ASSENT THAT ITS USE IS LIMITED TO USE WITHIN YOUR COMPANY ONLY. ANY OTHER USE IS STRICTLY PROHIBITED WITHOUT THE PRIOR WRITTEN CONSENT OF TIMES MICROWAVE SYSTEMS.

| SYM | REVISION DESCRIPTION | DFTM | DATE | APPD | DATE |
|-----|-------------------------|--------|---------|--------|---------|
| A | RELEASED FOR PRODUCTION | K.A.M. | 2/12/10 | J.D.B. | 3/1/10 |
| B | CHANGED PER CDC #35214 | D.J.H. | 7/16/12 | J.D.B. | 7/25/12 |



Reference standard IEC60169-4

I. Electric Performance

Nominal Impedance(Ω): 50
 Frequency Range: DC-3GHz
 VSWR ≤1.15
 INSERT LOSS: ≤ 0.05
 Insulation resistance (MΩ) ≥10000
 Proof voltage (V) 2500
 Conductor resistance (mΩ) outer conductor <0.2
 inner conductor <0.8

II. Mechanical Performance

Pin torque 25N.m
 (Nut)Whorl pull 1000N
 Tensile force(cable-connect) 400N
 Torsion(cable-connect) 2N.m

III. Material and plating

| Component | Material | Plating |
|-----------------|-----------------|---|
| Inner conductor | Spring Copper | Ag 200 micro inches |
| Outer conductor | Brass | Copper-tin-zin (Albaloy) 150 micro inches |
| Ferrule | copper | Copper-tin-zin (Albaloy) 150 micro inches |
| Nut | Brass | Copper-tin-zin (Albaloy) 150 micro inches |
| Gasket | Silicone rubber | |
| Insulator | PTFE | |

IV. Environment

Temp.range -55°C~+155°C
 Weather standard IEC 60068 55 / 155/ 56
 Thermal shock US MIL-STD 202,Meth.107,Cond.B
 Vibration US MIL-STD 202,Meth.204,Cond.B
 Shock US MIL-STD 202,Meth.213,Cond.I
 Waterproofing standard IP67

V. Assembly: inner conductor installed and outer conductor crimped

VI. ROHS Compliant.

CABLE PREP.
 USE CST-400
 (3192-004)
 .429" HEX.

| | | | |
|----------------------|--|------------------|---|
| MATERIAL: | UNLESS OTHERWISE SPECIFIED ALL DIMENSIONS ARE IN mm MACHINED SURFACES FINISH N/A RMS MAX. REMOVE ALL BURRS N/A MAX. BREAK MACHINE CORNERS N/A MAX. FILLET R. TOLERANCES ON DECIMALS .XX ± N/A .XXX ± N/A ANGLES ± N/A FRACTIONS ± N/A | DFTM. K. A. M. | TIMES MICROWAVE SYSTEMS |
| | | DATE 2/12/10 | |
| USED ON: 1-1 | | CHKD. J. D. B. | EZ-400-716M-X 7/16 MALE FOR LMR-400 CABLE EZ/CRIMP/NO BRAID TRIM |
| | | DATE 3/1/10 | |
| SCALE: N/A | DWG. SIZE A | APPD. J. D. B. | SHEET 1 of 1 SD3190-2524 REV B |
| | | DATE 3/1/10 | |
| DO NOT SCALE DRAWING | | CODE IDENT 68999 | |

X-ON Electronics

Largest Supplier of Electrical and Electronic Components

Click to view similar products for [RF Connectors / Coaxial Connectors](#) category:

Click to view products by [Amphenol](#) manufacturer:

Other Similar products are found below :

[8915-1511-000](#) [89674-0827](#) [6001-7071-019](#) [6002-7051-003](#) [6002-7551-202](#) [6059674-1](#) [619550-1](#) [630059-000](#) [M39030/3-01N](#) [6500-7071-046](#) [6769](#) [CX050L2AQ](#) [7002-1542-011](#) [7004-1512-000](#) [7009-1511-004](#) [7010-1511-000](#) [7029-1511-060](#) [7101-1541-010](#) [7101-1571-002](#) [7105-1521-002](#) [7145-1521-002](#) [7203-1571-003](#) [7209-1511-011](#) [7210-1511-015](#) [7210-1511-019](#) [73137-5015](#) [73216-2241](#) [7325-1512-000](#) [73404-2300](#) [7405-1521-005](#) [7405-1521-802](#) [7406-1521-005](#) [8527](#) [8547](#) [FS11V](#) [8808-1511-001](#) [9049-9513-000](#) [9074-9513-000](#) [9101-9573-002](#) [910A205F](#) [9130-9573-002](#) [PL11SC-026](#) [PL375-33](#) [PL40-5](#) [PL71-9](#) [PL74C-221](#) [PL75MC-217](#) [PL803-7](#) [980-8666-005](#) [1200690078](#)