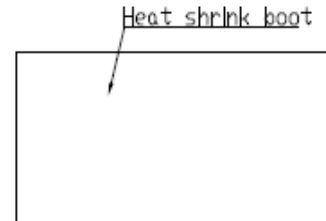
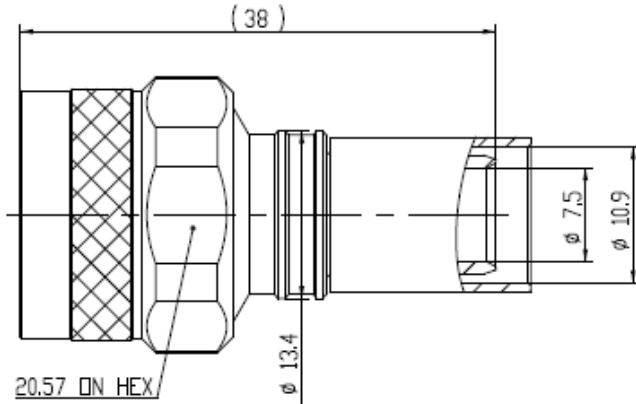
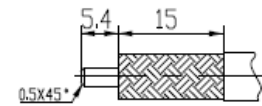


**NOTICE OF PROPRIETARY RIGHTS** THIS DOCUMENT CONTAINS CONFIDENTIAL TECHNICAL DATA, INCLUDING TRADE SECRETS, PROPRIETARY TO TIMES MICROWAVE SYSTEMS. DISCLOSURE OF THIS DATA IS EXPRESSLY CONDITIONED UPON YOUR ASSENT THAT ITS USE IS LIMITED TO USE WITHIN YOUR COMPANY ONLY. ANY OTHER USE IS STRICTLY PROHIBITED WITHOUT THE PRIOR WRITTEN CONSENT OF TIMES MICROWAVE SYSTEMS.

| SYM | REVISION DESCRIPTION    | DFTM     | DATE    | APPD     | DATE    |
|-----|-------------------------|----------|---------|----------|---------|
| A   | RELEASED FOR PRODUCTION | D. J. H. | 6/13/11 | J. D. B. | 6/27/11 |
| B   | CHANGED PER CDC #33920  | D. J. H. | 8/12/11 | J. D. B. | 8/15/11 |
| C   | CHANGED PER CDC #40843  | N. N. N. | 9/25/14 | J. D. B. | 9/30/14 |



3/4" diam.X2" long,heavy wall,adhesive lined polyolefin with a 3:1 shrink ratio



Recommended cable stripping Dim's

Reference standard IEC60169-16  
 I. Electric Performance  
 Impedance( $\Omega$ ): 50  
 Frequency Range: DC-6GHz  
 VSWR:  $\leq 1.25$   
 Insert Loss: (dB)  $\leq 0.05$   
 Insulation resistance (M $\Omega$ ) >5000  
 Proof voltage (V) 1500  
 Conductor resistance (m $\Omega$ ) outer conductor <0.4  
 inner conductor <0.8

IV. Environment  
 Temperature -55 $^{\circ}$ C~+155 $^{\circ}$ C  
 Weather standard IEC 60068 55 / 155/ 56  
 Thermal shock US MIL-STD 202,Meth.107,Cond.B  
 Vibration US MIL-STD 202,Meth.204,Cond.B  
 Shock US MIL-STD 202,Meth.213,Cond.I  
 Waterproofing standard IP67

V. Assembly: inner conductor installed and outer conductor crimped

II. Mechanical Performance  
 Nut torque 5N.m  
 (Nut)Whorl pull 500N  
 Tensile force(cable-connect) 400N  
 Torsion(cable-connect) 2N.m

III. Material and plating:  
 Component Material Plating  
 Inner conductor Beryllium Bronze Au50 micro inches over nickel 100 over copper  
 Outer conductor Brass Copper-tin-zin 100-150 micro inches  
 Tube: copper Copper-tin-zin 100-150 micro inches  
 Nut: Brass Copper-tin-zin 100-150 micro inches  
 Gasket: Silicone rubber  
 Insulator: PTFE

|            |   |                  |                |   |              |
|------------|---|------------------|----------------|---|--------------|
| MATL:      | UNLESS OTHERWISE SPECIFIED  |                  | DFTM. D. J. H. | TIMES MICROWAVE SYSTEMS   |              |
|            | ALL DIMENSIONS ARE IN mm<br>MACHINED SURFACES FINISH N/A RMS MAX.<br>REMOVE ALL BURRS N/A MAX. BREAK<br>MACHINE CORNERS N/A MAX. FILLET R.<br>TOLERANCES ON DECIMALS<br>. XX $\pm$ N/A . XXX $\pm$ N/A<br>ANGLES $\pm$ 1 $^{\circ}$ FRACTIONS $\pm$ N/A |                  | DATE 6/13/11   |   |              |
| USED ON: 0 | DO NOT SCALE DRAWING  |                  | CHKD. J. D. B. | <b>EZ-400-NMH-X</b><br>"N" MALE FOR LMR-400 CABLE<br>EZ/CRIMP/NO BRAID TRIM |              |
|            |   |                  | DATE 6/27/11   |   |              |
| SCALE: N/A | DWG. SIZE A   | CODE IDENT 68999 | APPD. J. D. B. | DATE 6/27/11  | SHEET 1 of 1 |
|            |   |                  |                |   | SD3190-2590  |
|            |   |                  |                |   | REV C        |

## X-ON Electronics

Largest Supplier of Electrical and Electronic Components

*Click to view similar products for [RF Connectors / Coaxial Connectors](#) category:*

*Click to view products by [Amphenol](#) manufacturer:*

Other Similar products are found below :

[8915-1511-000](#) [89674-0827](#) [6001-7071-019](#) [6002-7051-003](#) [6002-7551-202](#) [6059674-1](#) [619550-1](#) [630059-000](#) [M39030/3-01N](#) [M3933/25-36N](#) [6500-7071-046](#) [6769](#) [CX050L2AQ](#) [7002-1542-011](#) [7004-1512-000](#) [7009-1511-004](#) [7010-1511-000](#) [7029-1511-060](#) [7101-1541-010](#) [7101-1571-002](#) [7105-1521-002](#) [7145-1521-002](#) [7203-1571-003](#) [7209-1511-011](#) [7210-1511-015](#) [7210-1511-019](#) [73137-5015](#) [73216-2241](#) [7325-1512-000](#) [73404-2300](#) [7405-1521-005](#) [7405-1521-802](#) [7406-1521-005](#) [8527](#) [8547](#) [FS11V](#) [8808-1511-001](#) [9049-9513-000](#) [9074-9513-000](#) [9101-9573-002](#) [910A205F](#) [9130-9573-002](#) [PL11SC-026](#) [PL375-33](#) [PL40-5](#) [PL71-9](#) [PL74C-221](#) [PL75MC-217](#) [PL803-7](#) [980-8666-005](#)