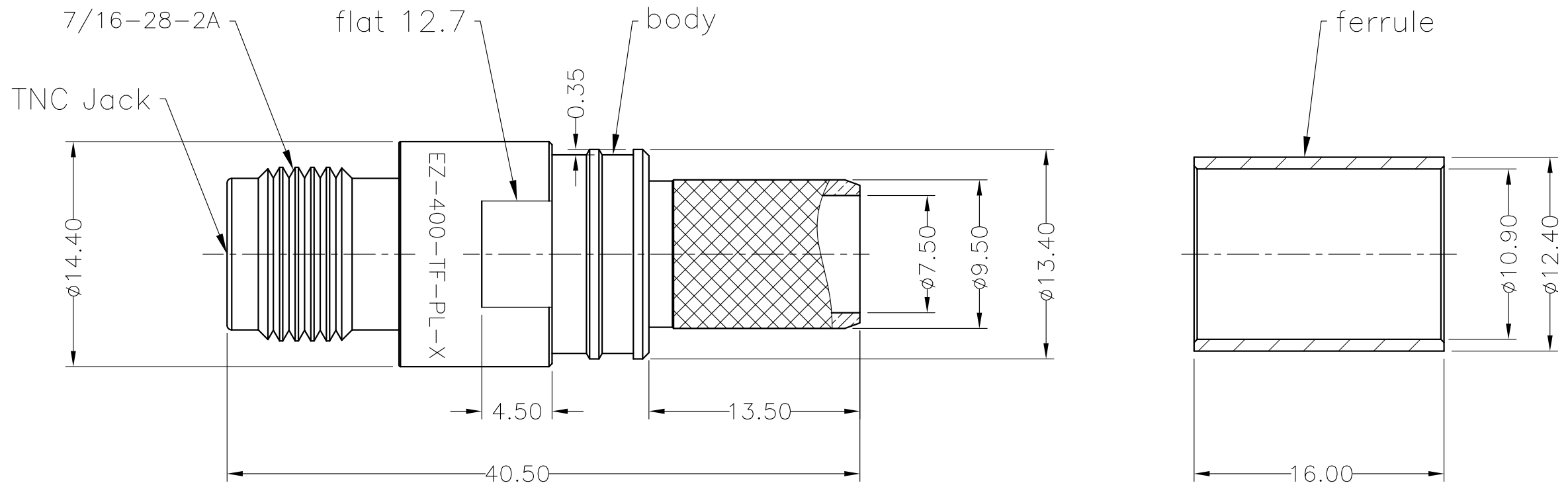


NOTICE OF PROPRIETARY RIGHTS THIS DOCUMENT CONTAINS CONFIDENTIAL DATA, INCLUDING TRADE SECRETS, PROPRIETARY TO TIMES MICROWAVE SYSTEMS. DISCLOSURE OF THIS DATA IS EXPRESSLY CONDITIONED UPON YOUR ASSENT THAT ITS USE IS LIMITED TO USE WITHIN YOUR COMPANY ONLY. ANY OTHER USE IS STRICTLY PROHIBITED WITHOUT THE PRIOR WRITTEN CONSENT OF TIMES MICROWAVE SYSTEMS.

| SYM | REVISION DESCRIPTION | DFTM | DATE | APPD | APPD |
|-----|-------------------------|--------|------------|------|------------|
| A | RELEASED FOR PRODUCTION | Joslen | 2017.06.23 | TZ | 2017.06.23 |



I. MATERIALS & FINISHES

| Components | Materials | Finishes | Thk. (μ") |
|--------------|-----------|----------|-----------|
| Body | Brass | Albaloy | 80 |
| Center Cont. | QBe2 | Gold | 50 |
| Ferrule | Copper | Albaloy | 80 |
| Insulator | PTFE | -- | -- |
| Gasket | Silicone | -- | -- |

II. ELECTRICAL PROPERTIES

| | |
|-----------------------------|-------------|
| Impedance (Ω): | 50 |
| Frequency Range (GHz): | DC to 6 GHz |
| Working Voltage (V): | 2500 |
| Insulation Resistance (MΩ): | ≥10000 |
| VSWR: | ≤1.30 |
| Insertion Loss(dB, f/GHz): | -0.1x √f |

III. ENVIRONMENT PROPERTIES

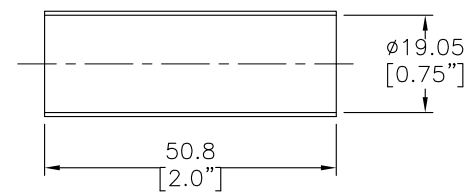
| | |
|--------------------|--------------------------------|
| Temperature Range: | -40°C~+125°C |
| Thermal Shock: | MIL-STD 202G, Meth.107, Cond.B |
| Vibration: | MIL-STD 202G, Meth.204, Cond.B |
| Shock: | MIL-STD 202G, Meth.213, Cond I |
| Climatic Class: | IEC 60068 55/155/56 |
| (2002/95/EC)RoHS: | Compliant |

IV. MECHANICAL PROPERTIES

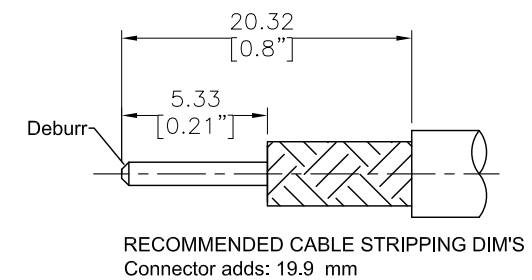
| | |
|------------------------------------|----------------|
| Center Cont.: | Finger Contact |
| Outer Cont.: | Crimp |
| Coupling Nut Torque (N.m): | N/A |
| Cbl-Connector Retention Force (N): | 500 |
| Durability (cycles): | 500 |

V. TOOLING

Stripping Tool: 3192-004
Crimping Tool: 3190-666/CT-400/300



Shrink Tube (3/4"x2" 3:1)



According to Standard: IEC 60169-17

| MATERIALS | | UNLESS OTHERWISE SPECIFIED | | DFTM. | Joslen | |
|-------------------------------------------------------------------------------------------------------------------------------------------------------------------------------------------------------------------------------------|--------------|----------------------------|------------|--------|------------|------------------------------------------------------------------------------------------------------------------------------------------------------|
| ALL DIMENSIONS ARE IN mm MACHINED SURFACES FINISH 1.6 RMS MAX. REMOVE ALL BURRS 0.15X45° MAX. BREAK MACHINE CORNERS 0.15X45° D MAX. FILLET R. TOLERANCES ON DECIMALS .X ±0.3 .XX ±0.15 ANGLES ±2° FRACTIONS ± N/A | | DATE | 2017.06.23 | CHKD | KG | |
| DO NOT SCALE DRAWING | | DATE | 2017.06.23 | APPD | TZ | |
| SCALE: N/A | DWG SIZE: A4 | DATE | 2017.06.23 | DATE | 2017.06.23 | |
| CODE IDENT: 68999 | | DATE: 2017.06.23 | | 1 OF 1 | | <p>EZ-400-TF-PL-X</p> <p>TNC Female (Jack) Straight Non-Solder Pin No Braid Trim Connector for LMR-400-LLPL Cable</p> <p>3190-6377</p> |

X-ON Electronics

Largest Supplier of Electrical and Electronic Components

Click to view similar products for [RF Connectors / Coaxial Connectors](#) category:

Click to view products by [Amphenol](#) manufacturer:

Other Similar products are found below :

[8915-1511-000](#) [89674-0827](#) [6001-7071-019](#) [6002-7051-003](#) [6002-7551-202](#) [6059674-1](#) [619550-1](#) [630059-000](#) [M39030/3-01N](#) [6500-7071-046](#) [6769](#) [CX050L2AQ](#) [7002-1542-011](#) [7004-1512-000](#) [7009-1511-004](#) [7010-1511-000](#) [7029-1511-060](#) [7101-1541-010](#) [7101-1571-002](#) [7105-1521-002](#) [7145-1521-002](#) [7203-1571-003](#) [7209-1511-011](#) [7210-1511-015](#) [7210-1511-019](#) [73137-5015](#) [73216-2241](#) [7325-1512-000](#) [73404-2300](#) [7405-1521-005](#) [7405-1521-802](#) [7406-1521-005](#) [8527](#) [8547](#) [FS11V](#) [8808-1511-001](#) [9049-9513-000](#) [9074-9513-000](#) [9101-9573-002](#) [910A205F](#) [9130-9573-002](#) [PL11SC-026](#) [PL375-33](#) [PL40-5](#) [PL71-9](#) [PL74C-221](#) [PL75MC-217](#) [PL803-7](#) [980-8666-005](#) [1200690078](#)