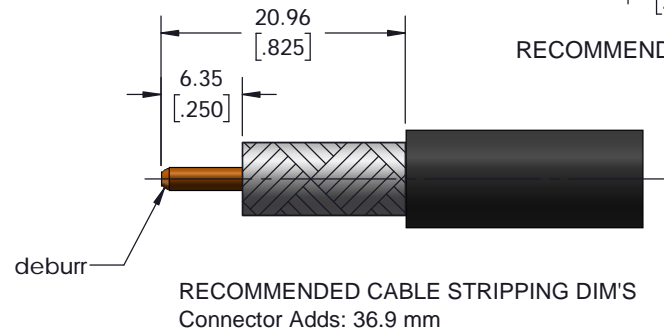
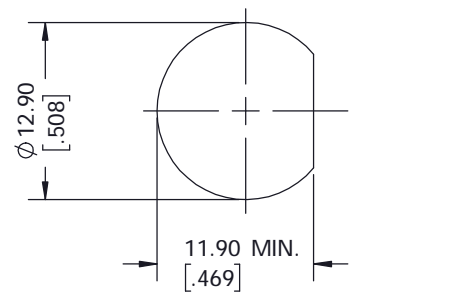
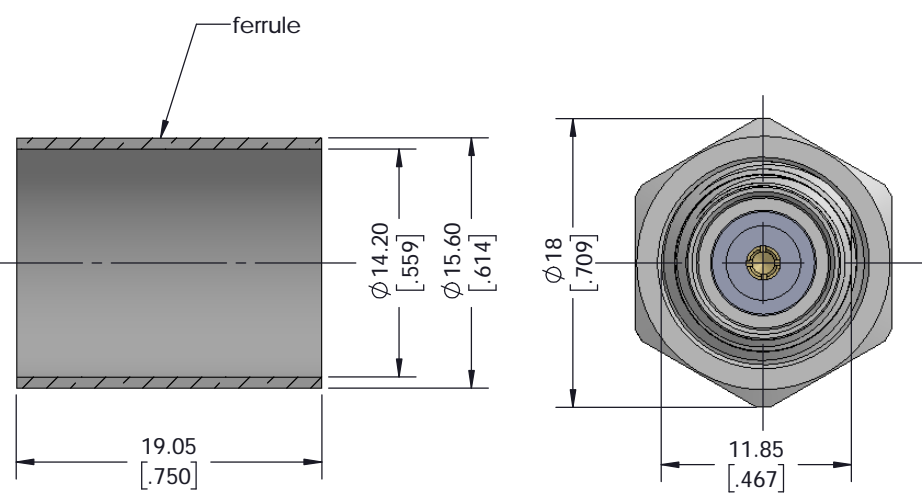
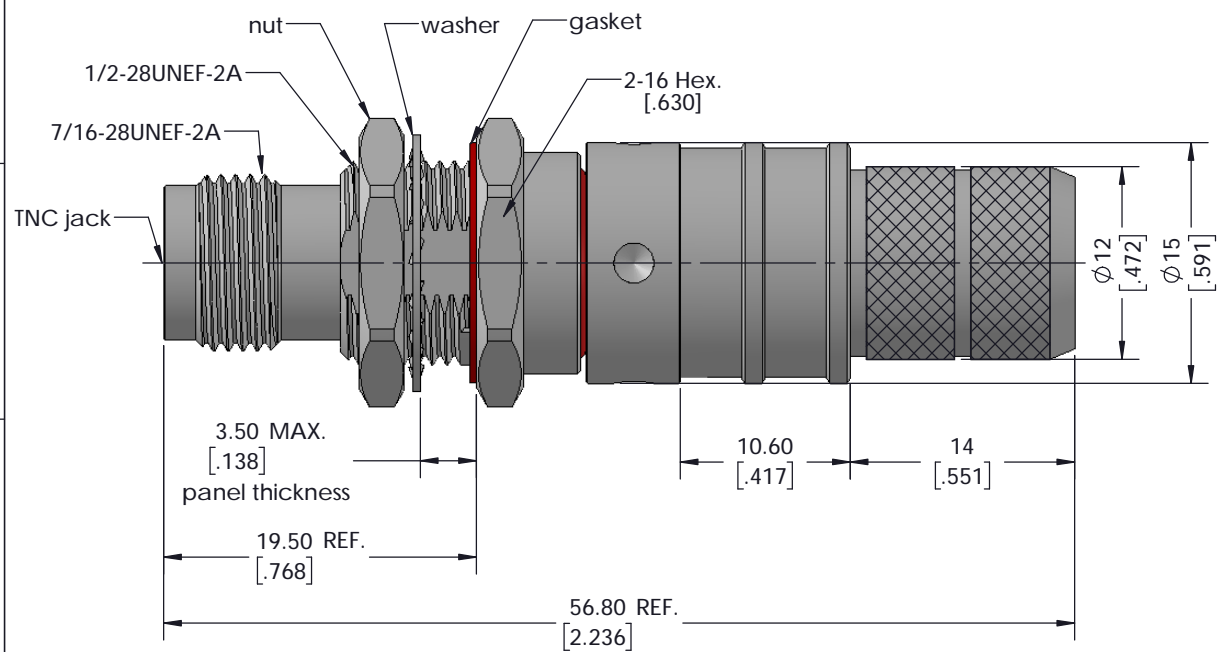


8 7 6 5 4 3 2 1  
 NOTICE OF PROPRIETARY RIGHTS: THIS DOCUMENT CONTAINS CONFIDENTIAL DATA, INCLUDING TRADE SECRETS, PROPRIETARY TO TIMES MICROWAVE SYSTEMS. DISCLOSURE OF THIS DATA IS EXPRESSLY CONDITIONED UPON YOUR ASSENT THAT ITS USE IS LIMITED TO USE WITHIN YOUR COMPANY ONLY. ANY OTHER USE IS STRICTLY PROHIBITED WITHOUT THE PRIOR WRITTEN CONSENT OF TIMES MICROWAVE SYSTEMS.

VER	Description	ECN	Name	Date
A	Initial Released	N/A	Patrick	2018/10/20



### I. MATERIALS & FINISHES

Component	Material	Finishes	Thk. (u")
Body	Brass	Sn-Ni	100
Contact Pin	Beryllium Copper	Gold	50
Insulator	PTFE	--	--
Nut/Washer	Brass	Sn-Ni	100
Ferrule	Copper	Sn-Ni	100
Gasket	Silicone Rubber	--	--

### II. ELECTRICAL PROPERTIES

Impedance ( $\Omega$ ):	50
Frequency Range (GHz):	DC~8 GHz
Dielectric Withstanding Voltage (V r.m.s.):	1500
Insulation Resistance (M $\Omega$ ):	$\geq 5000$
VSWR:	$\leq 1.30$ (DC~6 GHz)
	$\leq 1.35$ (6~8 GHz)
Insertion Loss (dB, f / GHz):	-0.1 x sqrt (f)

### III. ENVIRONMENT PROPERTIES

Temperature Range:	-40 $^{\circ}$ C~+125 $^{\circ}$ C
Thermal Shock:	MIL-STD-202, Meth. 107, Cond. B
Vibration:	MIL-STD-202, Meth. 204, Cond. B
Shock:	MIL-STD-202, Meth. 213, Cond. G
Climatic Class:	IEC 60068 55/155/21
RoHS:	Compliant

### IV. MECHANICAL PROPERTIES

Center Conductor:	Spring Finger
Outer Conductor:	Crimp
Couping Nut Torque (in-lbs):	4.1~6.1
Cable-Connector Retention Force (lbs):	180
Durability (Cycles):	500

### V. Tooling & Accessories

Stripping Tool:	3192-075/CST-100
Crimping Tool:	3192-169/CT-500
Heat Shrink Tube:	1"x2" (3:1) 1 pcs

Compatible with Standard: IEC 60169-17

UNLESS OTHERWISE SPECIFIED		DFTM	Patrick	 <b>TIMES MICROWAVE SYSTEMS</b> An Amphenol Company <b>EZ-500-TF-BH-X</b> TNC Female (Jack) Straight Non-Solder Pin No Braid Trim Bulkhead Connector for LMR-500 Cable								
ALL DIMENSIONS ARE IN mm	MACHINED SURFACES FINISH 1.6 RMS MAX.	DATE	2018/10/20									
REMOVE ALL BURRS 0.15X45 $^{\circ}$ MAX. BREAK	MACHINE CORNERS 0.15X45 $^{\circ}$ D MAX. FILLET	CHKD	Monica									
R. TOLERANCES ON DECIMALS	.X $\pm 0.1$ .XX $\pm 0.05$	DATE	2018/10/20									
ANGLES $\pm 2^{\circ}$ FRACTIONS $\pm N/A$		APPD	Joslen									
Scale:	3:1	Size:	A3	CODE IDENT	68999	DATE	2018/10/20	SHT	1/1	3190-8031	REV	A

## X-ON Electronics

Largest Supplier of Electrical and Electronic Components

*Click to view similar products for [RF Connectors / Coaxial Connectors](#) category:*

*Click to view products by [Amphenol](#) manufacturer:*

Other Similar products are found below :

[8915-1511-000](#) [89674-0827](#) [6001-7071-019](#) [6002-7051-003](#) [6002-7551-202](#) [6059674-1](#) [619550-1](#) [630059-000](#) [M39030/3-01N](#) [M3933/25-36N](#) [6500-7071-046](#) [6769](#) [CX050L2AQ](#) [7002-1542-011](#) [7004-1512-000](#) [7009-1511-004](#) [7010-1511-000](#) [7029-1511-060](#) [7101-1541-010](#) [7101-1571-002](#) [7105-1521-002](#) [7145-1521-002](#) [7203-1571-003](#) [7209-1511-011](#) [7210-1511-015](#) [7210-1511-019](#) [73137-5015](#) [73216-2241](#) [7325-1512-000](#) [73404-2300](#) [7405-1521-005](#) [7405-1521-802](#) [7406-1521-005](#) [8527](#) [8547](#) [FS11V](#) [8808-1511-001](#) [9049-9513-000](#) [9074-9513-000](#) [9101-9573-002](#) [910A205F](#) [9130-9573-002](#) [PL11SC-026](#) [PL375-33](#) [PL40-5](#) [PL71-9](#) [PL74C-221](#) [PL75MC-217](#) [PL803-7](#) [980-8666-005](#)