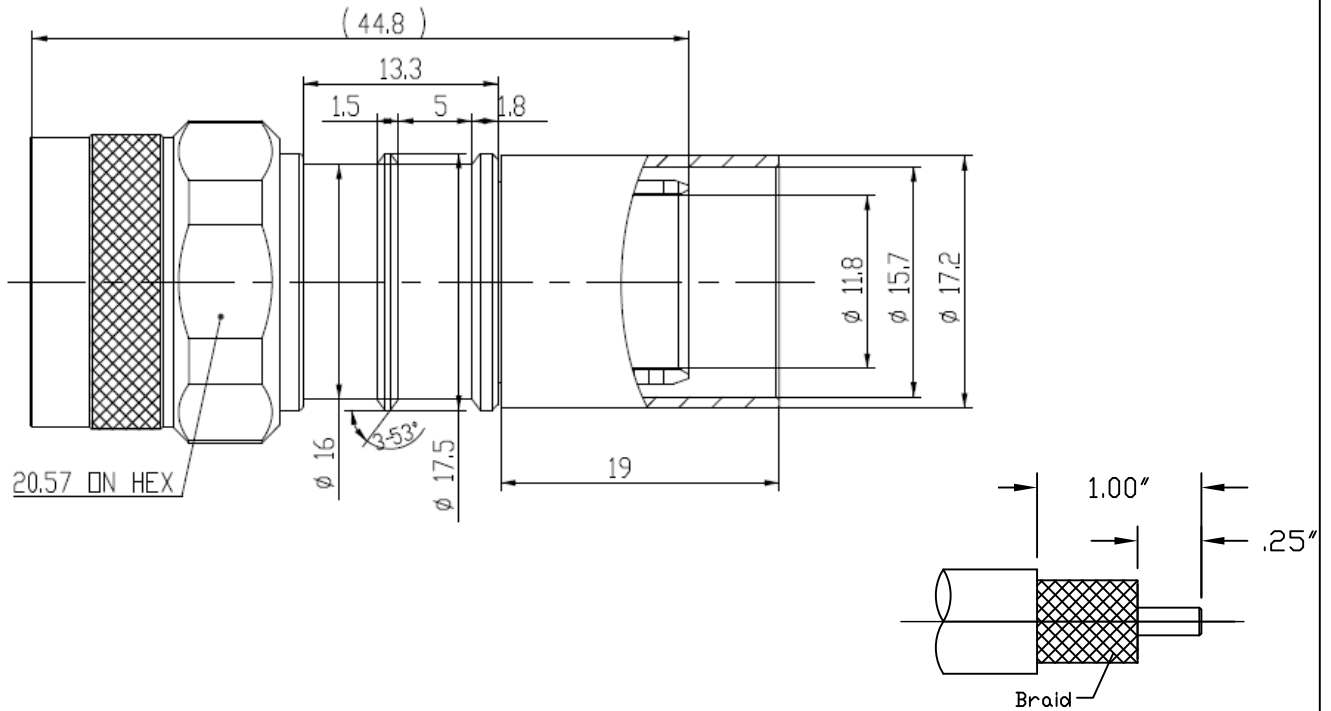


NOTICE OF PROPRIETARY RIGHTS THIS DOCUMENT CONTAINS CONFIDENTIAL TECHNICAL DATA, INCLUDING TRADE SECRETS, PROPRIETARY TO TIMES MICROWAVE SYSTEMS. DISCLOSURE OF THIS DATA IS EXPRESSLY CONDITIONED UPON YOUR ASSENT THAT ITS USE IS LIMITED TO USE WITHIN YOUR COMPANY ONLY. ANY OTHER USE IS STRICTLY PROHIBITED WITHOUT THE PRIOR WRITTEN CONSENT OF TIMES MICROWAVE SYSTEMS.

SYM	REVISION DESCRIPTION	DFTM	DATE	APPD	DATE
A	RELEASED FOR PRODUCTION	N.N.N	11/19/13	J.D.B.	12/3/13



Reference standard IEC60169-16

I. Electric Performance

Nominal Impedance(Ω): 50
 Frequency Range: DC-6GHz
 VSWR: ≤ 1.3
 Insert Loss: ≤ 0.1 (DC-3GHz)
 Insulation resistance ($M\Omega$): ≥ 5000
 Proof voltage (V): 2500
 Conductor resistance ($m\Omega$): outer conductor < 0.4
 inner conductor < 0.8

IV. Environment

Temprange: -40 $^{\circ}$ ~+85 $^{\circ}$
 Weather standard: IEC 60068 40 / 085/ 21
 Thermal shock: US MIL-STD 202,Meth.107,Cond.B
 Vibration: US MIL-STD 202,Meth.204,Cond.B
 Shock: US MIL-STD 202,Meth.213,Cond.I
 Waterproofing standard: IP67

V. Assembly: inner conductor installed and outer conductor crimped

II. Mechanical Performance

Nut torque: 5N.m
 (Nut)Whorl pull: 500N
 Tensile force(cable-connect): 500N
 Torsion(cable-connect): 3N.m

VI. ROHS Compliant.

III. Material and plating:

Component	Material	Plating
Inner conductor	Beryllium Bronze	Au50 micro inches over nickel 100 over copper
Outer conductor	Brass	Copper-tin-zinc 100-150 micro inches
Tube:	copper	Copper-tin-zinc 100-150 micro inches
Nut:	Brass	Copper-tin-zinc 100-150 micro inches
Gasket:	Silicone rubber	
Insulator:	PTFE	

MATERIAL:	UNLESS OTHERWISE SPECIFIED		DFTM. N. N. N	TIMES MICROWAVE SYSTEMS
	ALL DIMENSIONS ARE IN mm		DATE 11/19/13	
USED ON: O-O	DO NOT SCALE DRAWING		CHKD. J. D. B.	EZ-600-NMH-PL-X CONNECTOR, NM FOR LMR600-LLPL
			DATE 12/3/13	
			APPD. J. D. B.	
SCALE: ~	DWG. SIZE A	CODE IDENT 68999	DATE 12/3/13	1 of 1 SD3190-2963 REV A

X-ON Electronics

Largest Supplier of Electrical and Electronic Components

Click to view similar products for [RF Connectors / Coaxial Connectors](#) category:

Click to view products by [Amphenol](#) manufacturer:

Other Similar products are found below :

[8915-1511-000](#) [89674-0827](#) [6001-7071-019](#) [6002-7051-003](#) [6002-7551-202](#) [6059674-1](#) [619550-1](#) [630059-000](#) [M39030/3-01N](#) [6500-7071-046](#) [6769](#) [CX050L2AQ](#) [7002-1542-011](#) [7004-1512-000](#) [7009-1511-004](#) [7010-1511-000](#) [7029-1511-060](#) [7101-1541-010](#) [7101-1571-002](#) [7105-1521-002](#) [7145-1521-002](#) [7203-1571-003](#) [7209-1511-011](#) [7210-1511-015](#) [7210-1511-019](#) [73137-5015](#) [73216-2241](#) [73404-2300](#) [7405-1521-005](#) [7405-1521-802](#) [7406-1521-005](#) [8527](#) [8547](#) [FS11V](#) [8808-1511-001](#) [9049-9513-000](#) [9074-9513-000](#) [9101-9573-002](#) [910A205F](#) [9130-9573-002](#) [PL11SC-026](#) [PL375-33](#) [PL40-5](#) [PL71-9](#) [PL74C-221](#) [PL75MC-217](#) [PL803-7](#) [980-8666-005](#) [1200690078](#) [1-201144-1](#)