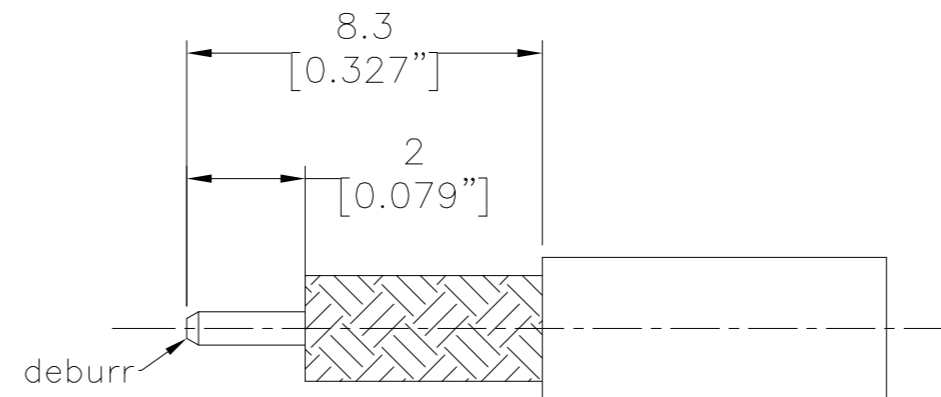
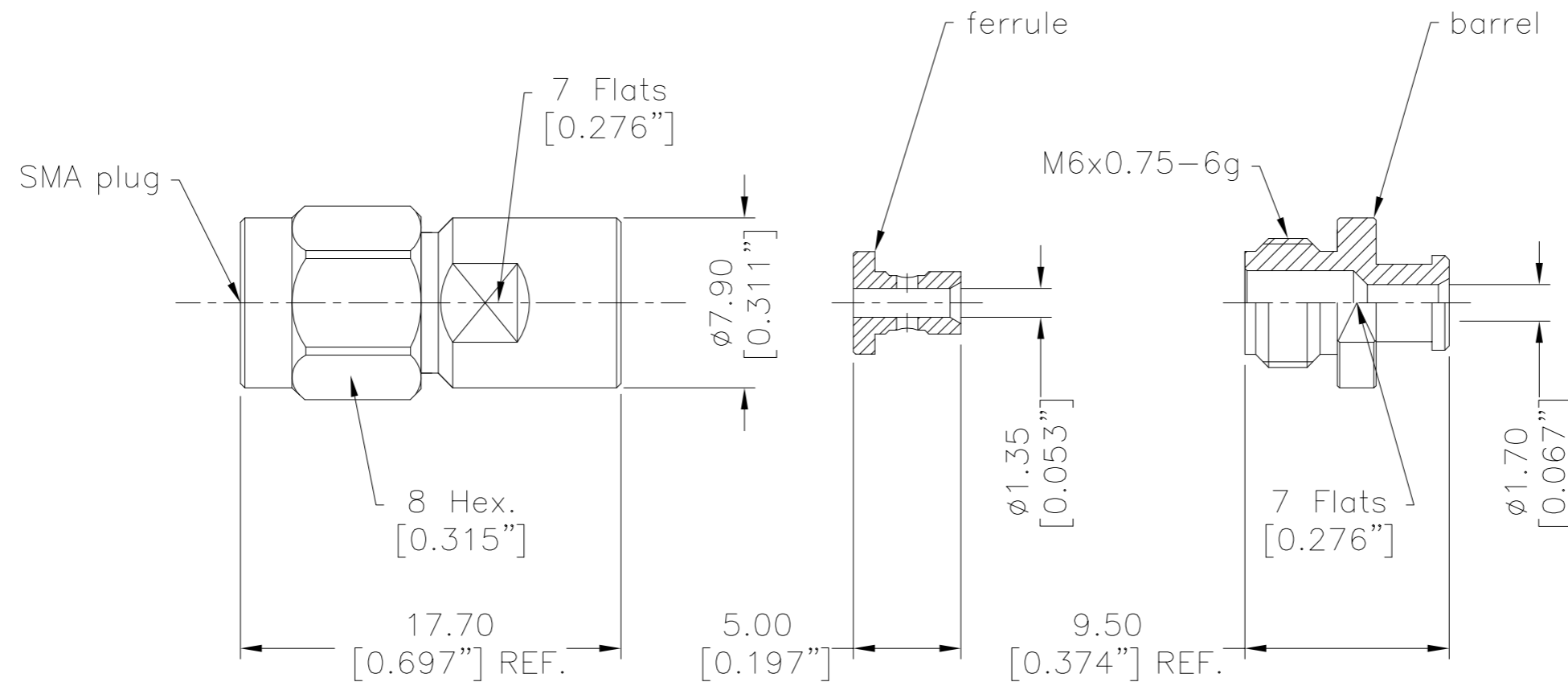


SYM	REVISION DESCRIPTION	DFTM	DATE	APPD	DATE
A	RELEASED FOR PRODUCTION	Patrick	2021/02/03	Tony	2021/02/03
B	ECN-2022-08-001	Joshua	2022/08/16	Tony	2022/08/16



I. MATERIALS & FINISHES

Components	Materials	Finishes	Thk. (μ")
Body/Shell	Stainless Steel	Passivation	--
Contact Pin	Beryllium Copper	Gold	50
Insulator	PTFE	--	--
Ferrule	Brass	Gold	10
Barrel	Stainless Steel	Passivation	--
Gasket	Silicone Rubber	--	--

II. ELECTRICAL PROPERTIES

Impedance:	50 Ω
Frequency Range:	DC to 26.5 GHz
Dielectric Withstanding Voltage:	500 V rms
Insulation Resistance:	≥5000 MΩ
VSWR:	≤1.30
Insertion Loss:	-0.1x√f(GHz) dB

All Material and Plating of Parts Meet TIMES Document: WI-RD-003

III. ENVIRONMENTAL PROPERTIES

Temperature Range:	-40°C to +125°C
Thermal Shock:	MIL-STD-202, Meth.107, Cond. B
Vibration:	MIL-STD-202, Meth.204, Cond. D
Shock:	MIL-STD-202, Meth.213, Cond. I
Climatic Class:	IEC 60068 55/155/21
RoHS:	Compliant

IV. MECHANICAL PROPERTIES

Center Contact:	Spring Finger
Outer Contact:	Solder
Coupling Nut Torque:	7.1-9.7 in.lbs
Cbl-Connector Retention Force:	10 lbs
Durability:	500 Cycles

RECOMMENDED CABLE STRIPPING DIM'S
Connector Adds: 10.7 mm

Interface Compatible with Standard:
IEC 60169-15
MIL-STD-348

V. TOOLINGS & ACCESSORIES

N/A

UNLESS OTHERWISE SPECIFIED		DFTM:	Joshua	 An Amphenol Company							
ALL DIMENSIONS ARE IN mm MACHINED SURFACES FINISH 1.6 RMS MAX. REMOVE ALL BURRS 0.15X45° MAX. BREAK MACHINE CORNERS 0.15X45° D MAX. FILLET R. TOLERANCES ON DECIMALS .X ±0.15 .XX ±0.1 ANGLES ±2° FRACTIONS ± N/A		DATE	2022/08/16								
		CHKD	Monica								
		DATE	2022/08/16								
		APPD	Tony								
SCALE:	N/A	DWG SIZE:	A3	DO NOT SCALE DRAWING	DATE	2022/08/16	SHT	1/1	3190-6878	REV	B

EZ-PT047-SM-SS

SMA Male (Plug) Straight Non-Solder Pin
Stainless Steel Connector for PT-047 Cable

X-ON Electronics

Largest Supplier of Electrical and Electronic Components

Click to view similar products for [RF Connectors / Coaxial Connectors](#) category:

Click to view products by [Amphenol](#) manufacturer:

Other Similar products are found below :

[89674-0827](#) [6059674-1](#) [630059-000](#) [6501-1071-002](#) [6769](#) [7002-1541-010](#) [7002-1572-002](#) [7004-1512-000](#) [7009-1511-004](#) [7101-1541-010](#)
[7101-1571-002](#) [7105-1521-002](#) [7203-1571-003](#) [7209-1511-011](#) [7210-1511-040](#) [7242-1511-000](#) [7405-1521-005](#) [7405-1521-802](#)
[804S01D04M040](#) [8527](#) [8547](#) [FS11V](#) [877931](#) [8808-1511-001](#) [9049-9513-000](#) [9074-9513-000](#) [PL11C-026](#) [PL40-36](#) [9408-1113-000](#) [980-](#)
[8666-005](#) [11 SMA-50-2-6 / 111 NE](#) [11 SMA-50-3-6 / 111 NE](#) [1-201144-1](#) [120919](#) [R107003010W](#) [R112186000](#) [R113053000W](#) [R113082097](#)
[R113236000](#) [R114083000](#) [R114670000W](#) [R123415000W](#) [R124076320](#) [R124076450](#) [R124175123](#) [R125075000W](#) [R125075001](#)
[R125172000W](#) [R125415030](#) [R141007161](#)