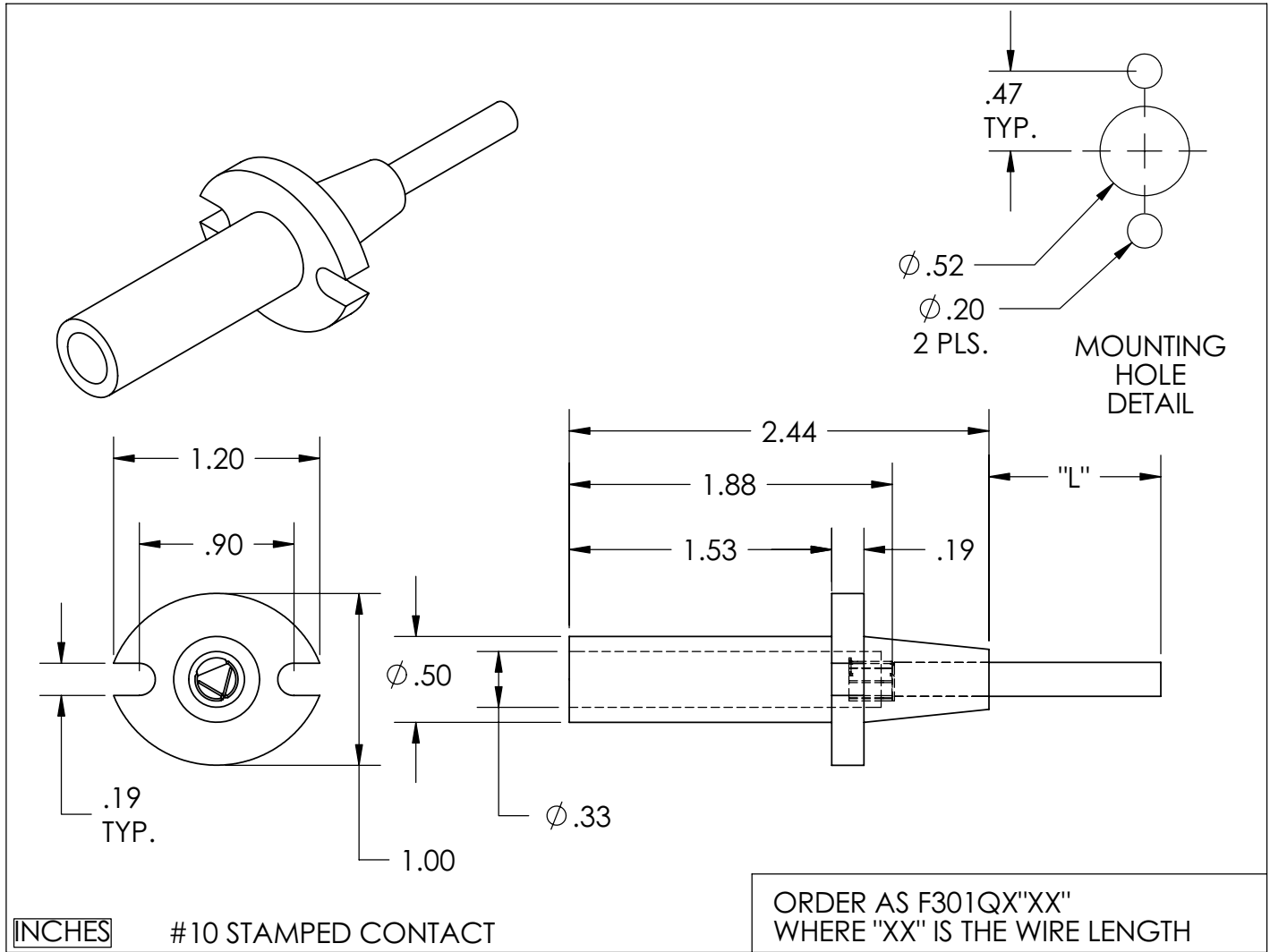


AMPHENOL ALDEN PRODUCTS

30 KVDC
SINGLE CIRCUIT
PANEL MOUNT RECEPTACLE
ROHS COMPLIANT

PRODUCT DATA SHEET F301QX



MATERIAL: FRPP
COLOR: NATURAL
WIRE: QX; 104877-01; RED

MATES WITH: F SERIES PLUGS

ELECTRICAL

TESTED TO: 40KVDC

RATINGS LISTED APPLY TO MATED PAIRS IN NORMAL OPERATING CONDITIONS. NO WARRANTY OF MERCHANTABILITY OR OF FITNESS FOR A PARTICULAR PURPOSE IS MADE AND ALL CUSTOMERS MUST TEST EACH COMPONENT TO DETERMINE THAT IT MEETS THEIR OPERATING REQUIREMENTS. RATINGS REFLECT UPPER TEST LIMIT VALUES AND CUSTOMERS SHOULD ADD THE SAFETY FACTORS REQUIRED FOR THEIR SPECIFIC APPLICATIONS.

LTR	DESCRIPTION	DATE	APPR.
-	ORIGINAL ISSUE	2/14/07	DXM

F301QX

ELECTRICAL PERFORMANCE DATA

BREAKDOWN VOLTAGE

MINIMUM: 48KVDC
39KVDC(I) (I) MATED INTERFACE
MEAN: 84KVDC

CORONA VOLTAGE

INCEPTION: EXTINCTION:

RESISTANCE: OHMS (MAXIMUM RATED)

MECHANICAL PERFORMANCE DATA

AVERAGE FORCE

INSERTION:
WITHDRAWAL:

OTHER TESTING PERFORMED

WIRE PULL-OUT	<input type="text"/>	THERMAL CYCLING	<input type="text"/>
CABLE FLEXING	<input type="text"/>	HUMIDITY	<input type="text"/>
VIBRATION	<input type="text"/>	H.V. @ ALTITUDE	<input type="text"/>
OTHER	<input type="text"/>		

ENGINEERING DATA

DWG NO.:	<input type="text" value="8111SFP"/>	REVISION:	<input type="text" value="C"/>	DATE:	<input type="text" value="6/18/1991"/>	SIZE:	<input type="text" value="A"/>
CONTACT P/N:	<input type="text" value="CS6-3RD"/>	CONTACT SIZE/TYPE: <input type="text" value="#10 STAMPED CONTACT"/>					
WIRE GROOVES:	<input type="text" value="3"/>						

MOLD INVENTORY

MOLD TYPE:	<input type="text" value="V"/>	No. OF CAVITIES:	<input type="text" value="1"/>	ID No.:	<input type="text" value="8111SFP"/>
WIRE CLAMPS:	<input type="text" value=".098; .131; .143; .160; .176; .181; .215"/>			LOCATION:	<input type="text" value="127"/>
STUDS:	<input type="text" value="2 NON RELIEF CS6-3D; 4 DBL RELIEF CS6-3RD MOD RL; 2 CS6-3RD"/>				
ACCESSORIES:	<input type="text"/>				
TOOLING:	<input type="text" value="2 MOUNTING HOLE INSERTS"/>				
CONDITION:	<input type="text" value="GOOD"/>	DATE OF EVAL:	<input type="text"/>	ADS / PDS No.:	<input type="text" value="F301QX"/>

X-ON Electronics

Largest Supplier of Electrical and Electronic Components

Click to view similar products for [Heavy Duty Power Connectors](#) category:

Click to view products by [Amphenol](#) manufacturer:

Other Similar products are found below :

[647757-1](#) [6643411-1](#) [6646058-2](#) [6646137-1](#) [6646138-1](#) [6646479-1](#) [6646608-1](#) [6646786-1](#) [6646940-1](#) [6651091-1](#) [6651525-1](#) [6651529-1](#)
[6651788-1](#) [696475-1](#) [73000005059](#) [73000005642](#) [765-15-0080A](#) [765-16-0080B](#) [829992-1](#) [902-77-02113](#) [129-1J](#) [AN0024023](#) [E6374G1](#)
[e6389g2](#) [157-43GW8](#) [MS3117-14AC](#) [1643543-1](#) [1650540-1](#) [1651811-2](#) [1766260-1](#) [1766282-1](#) [1766966-1](#) [1791340000](#) [NLDFT-3-BL-L-](#)
[S120-M40A](#) [NLDFT-N-W-L-C240-M40B](#) [NLS-2-R-C240-M40B](#) [NLS-N-W-C240-M40B](#) [NPS-3-BL-T6](#) [1986615-1](#) [2-1589900-8](#) [2199314-1](#)
[KA8102](#) [9300480317](#) [SBS50BRN#6](#) [29131](#) [29652](#) [1646905-1](#) [1648320-1](#) [1648582-1](#) [1650195-2](#)