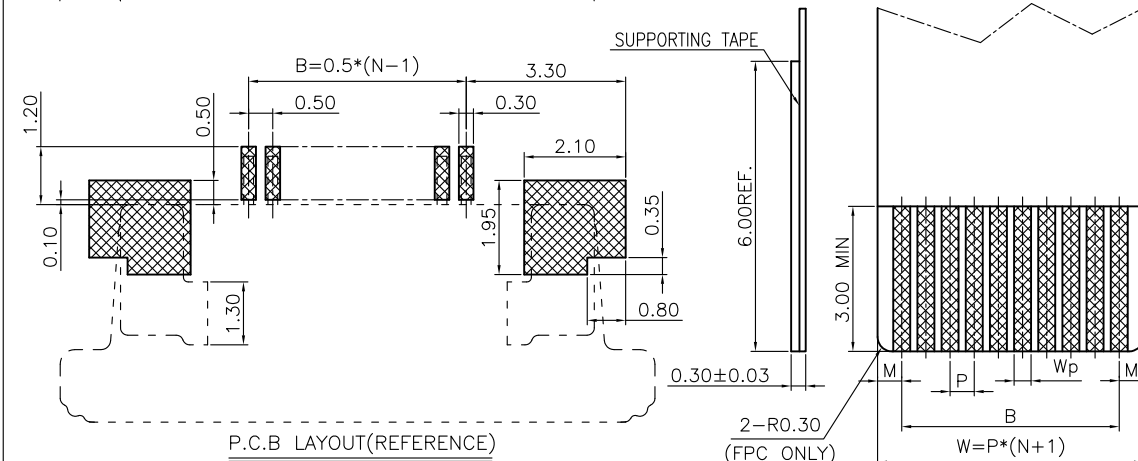
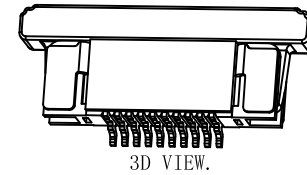
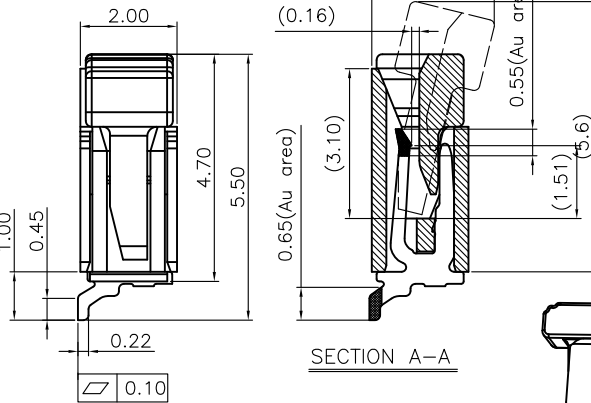
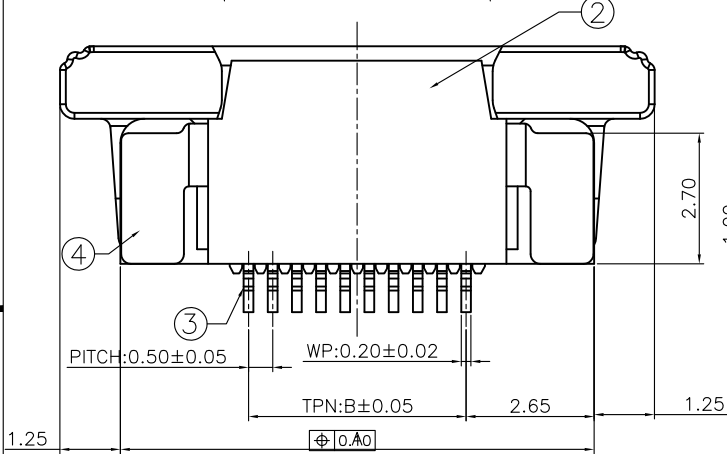
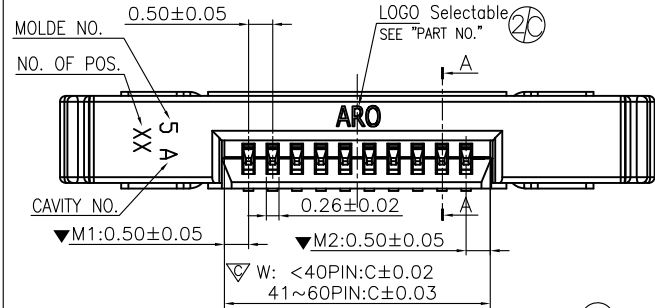


This document is the property of Amphenol Aorora Corporation and is delivered on the express condition that it is not to be disclosed, reproduced or used, in whole or in part, for manufacture or sale by anyone other than Amphenol Aorora Corporation without its prior consent, & that no right is granted to disclose or to use any information in this document.

- NOTE:  
 1. ALL MATERIAL MUST BE COMPLY WITH SS-00259 OR RoHS.  
 2. "▼" MARK IS IMPORTANT DIMENSIONS  
 3. "▽" MARK IS CPK AND X-R DIMENSION  
 4. PART NO. LEGEND: F32R-1A\*\*1-110\*\*



REV.	ECR/ECN No.	DESCRIPTION	DRAWN/DATE	CHECKED/DATE	APPROVED/DATE
A	/	New version	May 2014-07-28	Rain 2014-07-28	Hongkui.liu 2014-07-28
B	/	Unified FFC dimension	May 2015-03-09	Rain 2015-03-09	Hongkui.liu 2015-03-09
C	/	Add without Logo connector	May 2019-01-28	Rain 2019-01-28	Hongkui.liu 2019-01-28

NO.	COMPONENTS	MATERIALS	SPECIFICATION:FINISH/COLOR	QTY.
1	SLIDER	GLASS FILLED PA9T, UL94V-0	BLACK	1
2	HOUSING	GLASS FILLED LCP, UL94V-0	NATURAL	1
3	ANCHOR-PLATE	BRASS, T=0.20mm	SURFACE PLATING:2~5 um Sn UNDER PLATING:1~3 um Ni	2
4	CONTACT	PHOSPHOR BRONZE, T=0.20mm	SURFACE PLATING:SEE "NOTE" UNDER PLATING:1~3 um Ni	N

**DIMENSION LIST:**

NO. OF POS.	A	B	C	NO. OF POS.	A	B	C
4	6.80	1.50	2.50	33	21.30	16.00	17.00
5	7.30	2.00	3.00	34	21.80	16.50	17.50
6	7.80	2.50	3.50	35	22.30	17.00	18.00
7	8.30	3.00	4.00	36	22.80	17.50	18.50
8	8.80	3.50	4.50	37	23.30	18.00	19.00
9	9.30	4.00	5.00	38	23.80	18.50	19.50
10	9.80	4.50	5.50	39	24.30	19.00	20.00
11	10.30	5.00	6.00	40	24.80	19.50	20.50
12	10.80	5.50	6.50	41	25.30	20.00	21.00
13	11.30	6.00	7.00	42	25.80	20.50	21.50
14	11.80	6.50	7.50	43	26.30	21.00	22.00
15	12.30	7.00	8.00	44	26.80	21.50	22.50
16	12.80	7.50	8.50	45	27.30	22.00	23.00
17	13.30	8.00	9.00	46	27.80	22.50	23.50
18	13.80	8.50	9.50	47	28.30	23.00	24.00
19	14.30	9.00	10.00	48	28.80	23.50	24.50
20	14.80	9.50	10.50	49	29.30	24.00	25.00
21	15.30	10.00	11.00	50	29.80	24.50	25.50
22	15.80	10.50	11.50	51	30.30	25.00	26.00
23	16.30	11.00	12.00	52	30.80	25.50	26.50
24	16.80	11.50	12.50	53	31.30	26.00	27.00
25	17.30	12.00	13.00	54	31.80	26.50	27.50
26	17.80	12.50	13.50	55	32.30	27.00	28.00
27	18.30	13.00	14.00	56	32.80	27.50	28.50
28	18.80	13.50	14.50	57	33.30	28.00	29.00
29	19.30	14.00	15.00	58	33.80	28.50	29.50
30	19.80	14.50	15.50	59	34.30	29.00	30.00
31	20.30	15.00	16.00	60	34.80	29.50	30.50
32	20.80	15.50	16.50				

	FPC	FFC
M	0.5±0.05	0.5±0.05
P	0.5±0.03	0.5±0.03
B	B±0.05	B±0.05
W	W±0.05	W±0.05
Wp	0.35±0.03	0.30±0.03

UNLESS OTHERWISE SPECIFIED TOLERANCES

X.	±0.50	X. °	± 1°
XX	±0.30	XX °	± 0.5°
XXX	±0.20	XXX °	± 0.5°
X.XX	±0.10	X.XX °	± 1°

LINEAR DIMS ANGLES DIMS

P/N: F32R-1A7\*1-110\*\*  
F32J-1A7\*1-110\*\*

MATERIAL	SEE NOTES
FINISHED	SEE NOTES

ANGLE OF PROJECTION

DOC TYPE Customer Drw

DRAWN DATE May 2019-01-28

DESIGN DATE May 2019-01-28

CHECKED DATE Rain 2019-01-28

APPROVED DATE Hongkui.liu 2019-01-28

**Amphenol  
AORORA**

Amphenol Aorora Technology (Huizhou) Co.,Ltd

TITLE: FPC P.0.5 CONN ZIF R/A TYPE SMT (Bottom CONTACT)

SIZE DWG NO. **A4 A-S0201** REV. **C**

SCALE 1:1 UNIT : mm SHEET 1 OF 1

## X-ON Electronics

Largest Supplier of Electrical and Electronic Components

*Click to view similar products for [FFC & FPC Connectors](#) category:*

*Click to view products by [Amphenol](#) manufacturer:*

Other Similar products are found below :

[00-6200-227-022-800](#) [006205250500825+](#) [006205280500825+](#) [FPH-1602G](#) [086222026001800](#) [52610-0675](#) [62674-201121DLF](#) [52746-1671-TR250](#) [10051922-1610EHLF](#) [10051922-2810EHLF](#) [686322124422](#) [XF3M-2915-1B-R100](#) [AYF353125A](#) [AYF530665TA](#) [AYF534065TA](#) [20FLH-RSM1-TB](#) [PCA-7F-25-HL-3-G](#) [207356-1](#) [52807-0430](#) [FFC05011-10SBB114W5M](#) [502250-8027](#) [FH28K-40S-0.5SH](#) [200528-0260](#) [FH28K-10S-0.5SH](#) [501951-1250](#) [X05B20U43T](#) [0.5K-DX-30PWB](#) [DS1020-08-10VBT12](#) [THD0515-34CL-GF](#) [X05A10L28G](#) [ECC2841061EU](#) [1.0K-DHQX-16PWB](#) [1.0K-DHQX-30PWB](#) [1775333-6](#) [10054365-202110ELF](#) [10054365-242110ELF](#) [10054365-282110ELF](#) [10064555-392220HLF](#) [59453-041110EBHLF](#) [59453-091110EDHLF](#) [62674-241141ALF](#) [62684-432100ALF](#) [62684-451100AHLF](#) [62684-5721N0ALF](#) [HFW11R-1STE1MTLF](#) [HFW12R-1STE9LF](#) [HFW14R-1STE9MTLF](#) [HFW18S-2STE9LF](#) [HFW20R-1STAE1HLF](#) [HFW20R-1STE1MTLF](#)