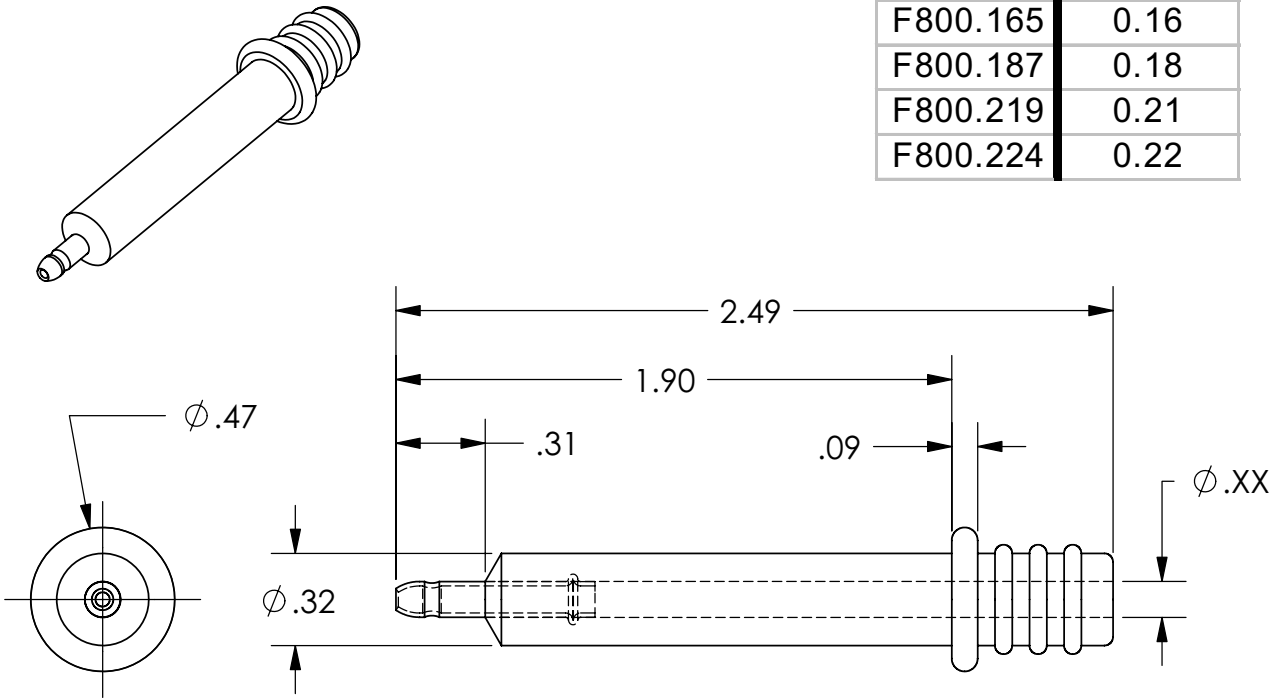


PRODUCT DATA SHEET F800.XXX



| PDS NO. | .XX DIA. |
|----------|----------|
| F800.125 | 0.13 |
| F800.165 | 0.16 |
| F800.187 | 0.18 |
| F800.219 | 0.21 |
| F800.224 | 0.22 |

ORDER AS F800.XXX
WHERE "XX" IS THE BORE DIAMETER

MATERIAL: FRPP
COLOR: NATURAL
MATES WITH: F SERIES RECEPTACLES

FOR FIELD SOLDER TERMINATION

ELECTRICAL
TESTED TO: * RATING DEPENDENT ON WIRE
SELECTION AND ASSEMBLY

RATINGS LISTED APPLY TO MATED PAIRS IN NORMAL OPERATING CONDITIONS. NO WARRANTY OF MERCHANTABILITY OR OF FITNESS FOR A PARTICULAR PURPOSE IS MADE AND ALL CUSTOMERS MUST TEST EACH COMPONENT TO DETERMINE THAT IT MEETS THEIR OPERATING REQUIREMENTS. RATINGS REFLECT UPPER TEST LIMIT VALUES AND CUSTOMERS SHOULD ADD THE SAFETY FACTORS REQUIRED FOR THEIR SPECIFIC APPLICATIONS.

| LTR | DESCRIPTION | DATE | APPR. |
|-----|---|---------|-------|
| - | ORIGINAL ISSUE | 5/20/92 | KEB |
| A | CHG'D .XXX DIA. CALLOUTS, PA-7N TO PA-11N | 8/4/92 | KEB |
| B | UPDATED DRAWING | 8/18/92 | KEB |
| C | UPDATED PER ECN 1487 | 9/10/92 | KEB |
| D | UPDATED DRAWING | 7/15/93 | PHA |
| E | REDRAWING IN SOLIDWORKS; ADDED F800.219 | 10/1/03 | BP |
| F | ADDED RoHS COMPLIANT CALLOUT, GLG | 8/5/08 | DJM |

ELECTRICAL PERFORMANCE DATA

BREAKDOWN VOLTAGE

MINIMUM: 48KVDC

MEAN: N/A

CORONA VOLTAGE

INCEPTION:

EXTINCTION:

RESISTANCE: OHMS (MAXIMUM RATED)

MECHANICAL PERFORMANCE DATA

AVERAGE FORCE

INSERTION:

WITHDRAWL:

OTHER TESTING PERFORMED

WIRE PULL-OUT

THERMAL CYCLING

CABLE FLEXING

HUMIDITY

VIBRATION

H.V. @ ALTITUDE

OTHER

ENGINEERING DATA

DWG NO.: REVISION: DATE: SIZE:

CONTACT P/N: CONTACT SIZE/TYPE:

WIRE GROOVES:

MOLD INVENTORY

MOLD TYPE: No. OF CAVITIES: ID No.:

STUDS: LOCATION:

WIRE CLAMPS:

ACCESSORIES:

TOOLING:

CONDITION: DATE OF EVAL:

ADS / PDS No.:

X-ON Electronics

Largest Supplier of Electrical and Electronic Components

Click to view similar products for [Heavy Duty Power Connectors](#) category:

Click to view products by [Amphenol](#) manufacturer:

Other Similar products are found below :

[647757-1](#) [6643411-1](#) [6646058-2](#) [6646137-1](#) [6646138-1](#) [6646479-1](#) [6646608-1](#) [6646786-1](#) [6646940-1](#) [6651091-1](#) [6651525-1](#) [6651529-1](#)
[6651788-1](#) [696475-1](#) [73000005059](#) [73000005642](#) [765-15-0080A](#) [765-16-0080B](#) [829992-1](#) [902-77-02113](#) [129-1J](#) [AN0024023](#) [E6374G1](#)
[e6389g2](#) [157-43GW8](#) [MS3117-14AC](#) [1643543-1](#) [1650540-1](#) [1651811-2](#) [1766260-1](#) [1766282-1](#) [1766966-1](#) [1791340000](#) [NLDFT-3-BL-L-](#)
[S120-M40A](#) [NLDFT-N-W-L-C240-M40B](#) [NLS-2-R-C240-M40B](#) [NLS-N-W-C240-M40B](#) [NPS-3-BL-T6](#) [1986615-1](#) [2-1589900-8](#) [2199314-1](#)
[KA8102](#) [9300480317](#) [SBS50BRN#6](#) [29131](#) [29652](#) [1646905-1](#) [1648320-1](#) [1648582-1](#) [1650195-2](#)